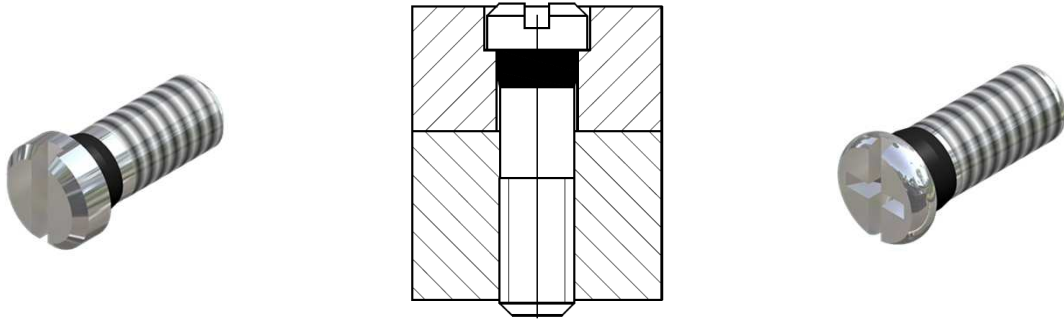
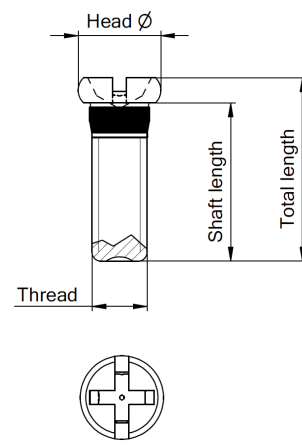
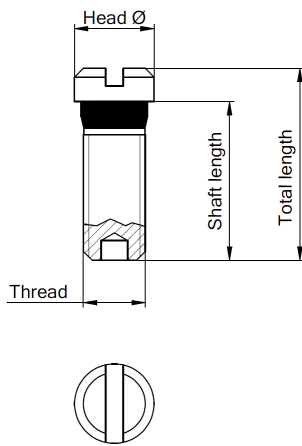


**Features**

- Stainless steel screws with integrated safety system
- Main application for rim locks in metal frames
- Eliminate the risk of losing lenses by keeping them in position
- 90% of the recycled plastic sprues are used for injection of new Safety Screws


**Minus head**
**Plus-minus head**

**Minus head**
**Plus-minus head**

Minus head					Plus-minus head				
Art. No.	Thread	Total length	Shaft length	Head Ø	Art. No.	Thread	Total length	Shaft length	Head Ø
99-01546	M1.2	3.1	2.3	1.6	99-01624	M1.2	3.2	2.6	1.8
99-01548	M1.2	3.6	2.8	1.6	99-01627	M1.2	4.4	3.8	1.8
99-01549	M1.2	4.1	3.3	1.6	99-01690	M1.4	2.4	1.8	2.0
99-01550	M1.2	4.5	3.7	1.6	99-01610	M1.4	2.7	2.1	2.0
99-01551	M1.2	5.0	4.2	1.6	99-01606	M1.4	3.0	2.4	2.0
99-01538	M1.4	2.6	1.8	1.8	99-01644	M1.4	3.2	2.6	1.8
99-01542	M1.4	2.8	2.0	1.8	99-01604	M1.4	3.2	2.6	2.0
99-01541	M1.4	3.1	2.3	1.8	99-01609	M1.4	3.4	2.8	2.0
99-01539	M1.4	3.4	2.6	1.8	99-01603	M1.4	3.6	3.0	2.0
99-01543	M1.4	3.5	2.7	1.8	99-01601	M1.4	3.8	3.2	2.0
99-01584	M1.4	3.6	2.9	2.0	99-01608	M1.4	4.0	3.4	2.0
99-01537	M1.4	3.9	3.1	1.8	99-01602	M1.4	4.2	3.6	2.0
99-01545	M1.4	4.0	3.2	1.8	99-01607	M1.4	4.6	4.0	2.0
99-01585	M1.4	4.0	3.2	2.0	99-01605	M1.4	5.0	4.4	2.0
99-01540	M1.4	4.4	3.6	1.8	99-01600	M1.4	5.9	5.3	2.0
99-01547	M1.4	5.0	4.2	1.8					