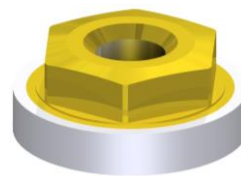
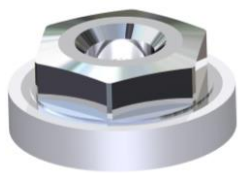


Features

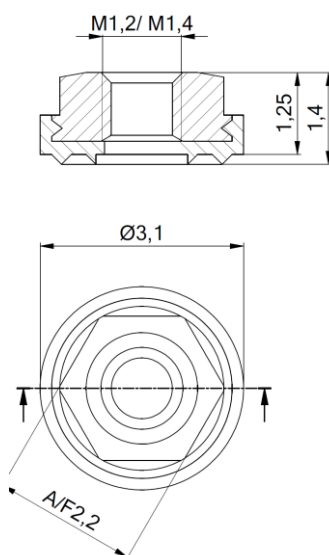
- Stainless steel safety nut with integrated plastic washer
- Application: **rimless frames**
- Anti-loosening effect
- Two versions available: in silver and gold color
- 90% of the recycled plastic sprues are used for injection of new Safety Nut



patented

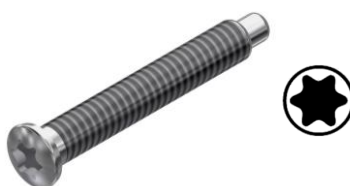
Standard

Gold plated



Version	Standard	Gold plated
M1.2	93-02525.340.00	93-02525.340.60
M1.4	93-02524.340.00	93-02524.340.60

Matching parts for 93-02525



- 99-04002 9 mm
- 99-04001 13 mm