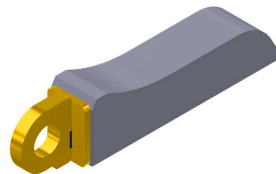


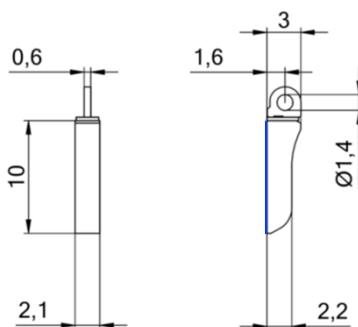
## FLEXINO-TI TITANIUM - 2.1 mm

- 100% titanium spring hinge
- Robust one-barrel stainless-steel mechanism already pre-assembled
- Durable gold finish - ideal for aggressive processing conditions



60-24021

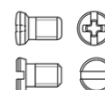
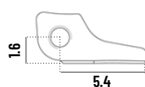
laser welding



### Matching parts

Front hinges  
for soldering and laser welding

Screws



52-24021

99-01810  
99-02506