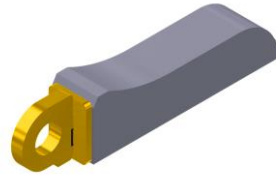


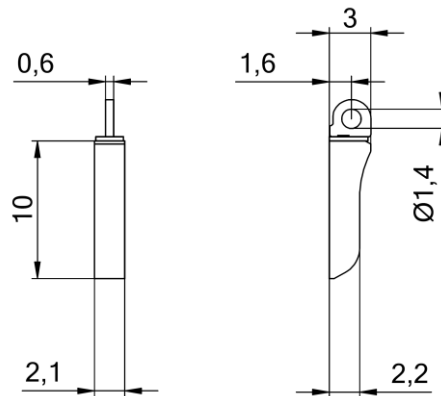
Features

- Zero allergy titanium spring hinge for **pure titanium frames**
- Stable mechanism in stainless steel already pre-assembled
- flexIno one barrel construction - blade technology for excellent double action
- Corrosion resistance thanks to gold plating
- Available in 2023



60-24021

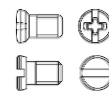
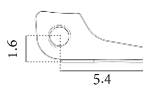
laser welding



Matching parts

Front hinges  
for laser welding

Screws



52-24021

99-01810  
99-02506