

flexino

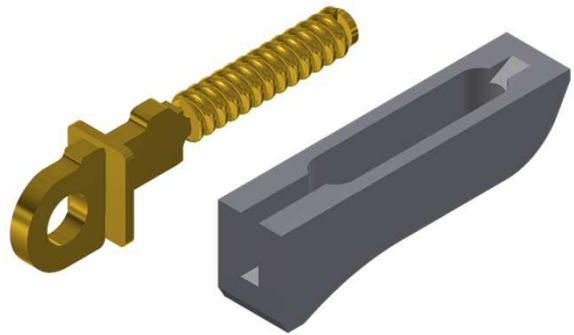
TITANIUM SLIM 2.1



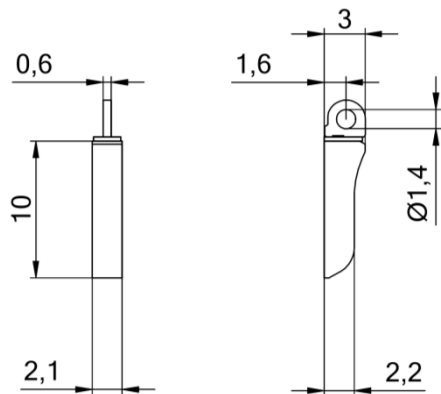
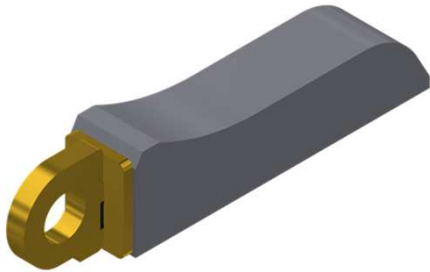
TITANIUM SPRING HINGES

- LATEST SPRING HINGE TECHNOLOGY FROM TITANIUM LEADER WITH ONLY 3 COMPONENTS
- ZERO ALLERGY THANKS TO PURE TITANIUM GRADE 2
- MORE THAN 5 YEARS FUNCTIONALITY PROVEN WITH 25000 MOVEMENTS
- TROUBLEFREE PROCESSING DUE TO PROTECTION OF MECHANISM WITH GOLD PLATING
- READY TO USE – NO ASSEMBLING NECESSARY AS MECHANISM & CASE ARE ALREADY PRE MOUNTED

- flexIno shaped housing
- Gold plated stainless steel mechanism
- New blade technology for excellent double action
- Stable single barrel construction
- For fast & clean laser welding



60-24021 – indicated measurements in mm



Matching parts

Front hinges for laser welding	Screws
52-24021	99-01810 99-02506