

Features

- Round shaped nickel silver spring hinge in low profile
- Flat design enables elegant integration mainly in acetate temples
- Easy & stable U-shaped mechanism in stainless steel already pre-assembled
- Zero rocking & easy adjustment with flexUno two barrel construction
- 75% of recycled nickel silver chips are used in the production of new cases

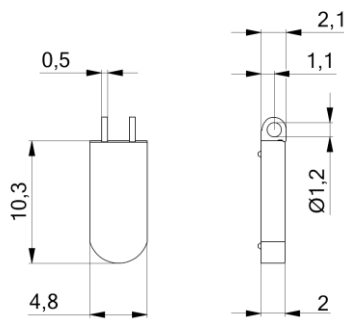


patented

60-04061.200

resistance welding

mechanism not exchangeable



Barreling cap for case 91-05061

Matching parts - Standard

Front hinges for soldering	Front hinges for welding	Front hinges for plastic frames 90°	Front hinges for plastic frames 180°	Step hinges for soldering	Rivet hinges / Rivets	Hinge screws
52-04261	52-04061	33-04061 33-04071 round foot 33-04261 off center  0°/6° inclination	33-04161	52-04161	51-05061 11-20247 - 8.0 mm 11-20251 - 5.4 mm 11-20245 - 4.2 mm 11-20246 - 3.0 mm	99-02017 99-02017.800 self aligning for break off

Matching parts – Hidden solution

One barrel block hinges I Fixation screws to front I Hinge pins					Three barrel block hinges I Fixation screws to front I Hinge screws				
32-04060	I	99-00064	I	Pin 11-20010	32-04054	I	99-00064	I	99-02023
32-04059	I	99-01753	I	Pin 11-20010	32-04053	I	99-01753	I	99-02023