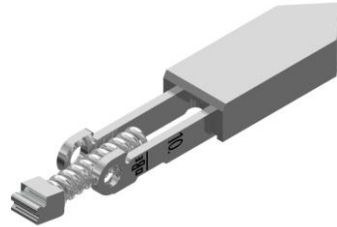


**Features**

- Pointed nickel silver spring hinge in low profile
- Flat design enables elegant integration mainly in acetate temples
- Easy & stable U-shaped click-in mechanism in stainless steel
- Zero rocking & easy adjustment with flexUno two barrel construction
- 75% of recycled nickel silver chips are used in the production of new cases



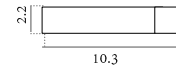
patented

60-04066.050

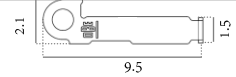
soldering

mechanism exchangeable

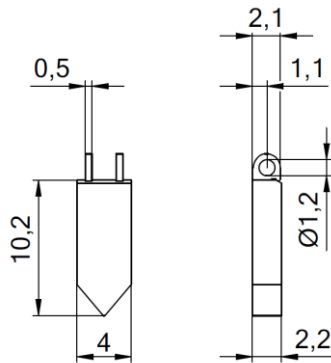
Case 17-04066.050  
Barreling cap for case 91-04066



Side hinge 44-44061



Spring mechanism 60-04061.050



**Matching parts - Standard**

Spike front hinges	Front hinges for soldering	Front hinges for plastic frames 90°	Front hinges for plastic frames 180°	Step hinges for soldering	Rivet hinges / Rivets	Hinge screws
33-04166.050	52-04276	33-04066 33-04266 off center  0°/6° inclination	33-04166	52-04166	51-05066 11-20247 - 8.0 mm 11-20251 - 5.4 mm 11-20245 - 4.2 mm 11-20246 - 3.0 mm	99-01732 99-02036 99-02036.800 self aligning for break off