

Features

- Two barrel spring mechanism in stainless steel (2 x 0.4 mm) – no plating
- To use in **metal temples or end pieces**
- Recommended temple width 3.2 – 8.0 mm
- Zero rocking & easy adjustment with flexUno technology



patented

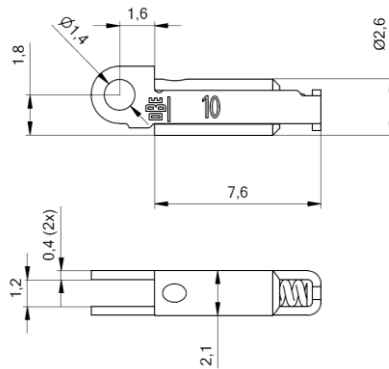
60-44063.200

fixation by peening

standard spring

60-44063.205

strong spring



Matching parts

Front hinges for soldering	Front hinges for welding	Front hinges for plastic frames 90°	Front hinges for plastic frames 180°	Step hinges for soldering	Screws
52-05067	52-04063	33-05363 33-04163 33-04067 off center 0°/6° inclination	33-04063	52-05363 52-05463	99-01814 99-02524 99-04814