

Features

- One barrel spring mechanism in stainless steel (0.6 mm wide) – not plated
- To use in metal or titanium temples
- Gold plating protection for titanium temples against aggressive acids
- Recommended temple width 1.9 – 2.6 mm



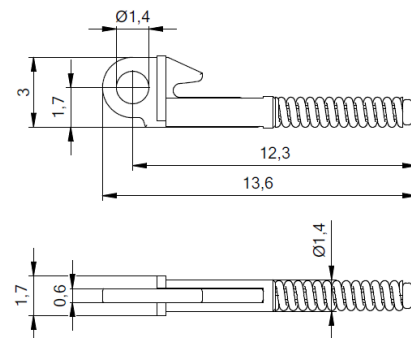
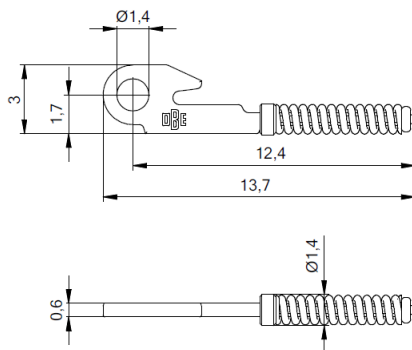
*patented*

60-44015.100

fixation by peening

60-44015.8XX

fixation by peening



Washer width (mm)

1.7