



MINIATURE SECURITY SCREWS

PRECISION. RELIABILITY. MADE IN GERMANY.

OUR PROVEN SYSTEMS



The image is a comparison of two screw systems. On the left, 'Safety Screws' are shown with a silver finish and a black rubber washer. On the right, 'Space Screws' are shown with a blue finish and a silver top. A central vertical line separates the two, with a circle containing the text 'TWO SOLUTIONS'.

Safety Screws
MADE IN GERMANY

Space Screws — PATENTED —
MADE IN GERMANY

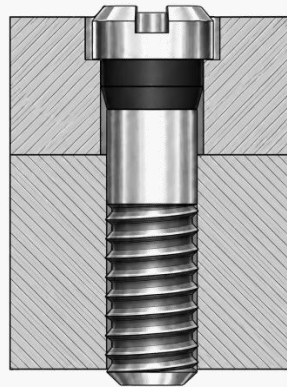
STATIC APPLICATION
SECURE. RELIABLE. SAFE.

DYNAMIC APPLICATION
RESILIENT. DYNAMIC. PRECISE.

TWO SOLUTIONS

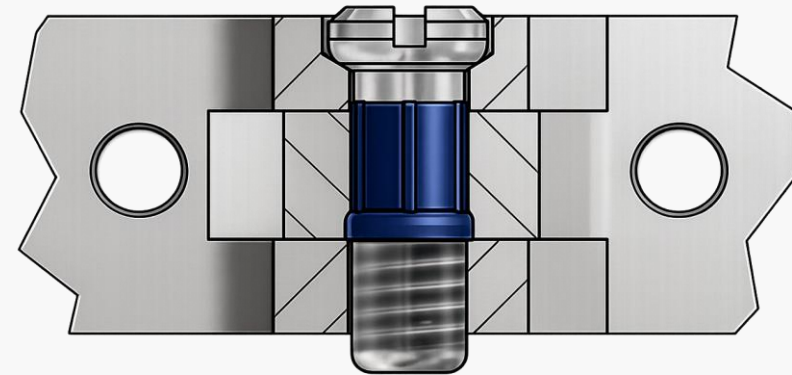
FUNCTION & EFFECT OF OUR SYSTEMS

Safety Screws
MADE IN GERMANY






The Safety Screws are designed for reliable fastening of components in compact dimensions. A precisely controlled amount of plastic is overmolded beneath the screw head, ensuring a precise and secure connection. During installation, the plastic is compressed, increasing friction and effectively preventing self-loosening.

Space Screws — PATENTED —
MADE IN GERMANY



The Space Screws are designed for secure fastening of small components, including movable parts such as hinges. A precisely controlled amount of plastic is overmolded around the screw shaft. During installation, the plastic is compressed, creating a locking effect that prevents self-loosening. At the same time, the lateral ribs of the plastic compensate for tolerances and ensure a precise fit.

AVAILABLE MATERIALS

Drive Type	Drive Symbol	Safety screws with PEEK	Space screws with PA 66
Phillips		1.4567	1.4567
Torx		1.4567	1.4567
Slotted		1.4305 / 1.4598 / 1.4435 / 1.4567	1.4305 / 1.4598 / 1.4435 / 1.4567



CURRENT DIMENSIONS

Safety Screws

MADE IN GERMANY

SPECIFICATION	DETAILS		
TOTAL LENGTHS	3 - 6 mm		
HEAD DIAMETER	1.6 mm	1.8 mm	2.0 mm
THREAD	M 1.2	M 1.4	M 1.6

Space Screws

PATENTED

MADE IN GERMANY

SPECIFICATION	DETAILS		
TOTAL LENGTHS	3 - 9 mm		
HEAD DIAMETER	1.8 mm	2.0 mm	2.5 mm
THREAD	M 1.4	M 1.6	

COMMON BENEFITS



LOOSENING PREVENTION

Special design prevents unintentional loosening.



VIBRATION RESISTANT

Secure hold even under high vibration.



TOLERANCE COMPENSATION

Compensates for component tolerances and misalignments.



INSULATION FUNCTION

Non-conductive material for electrical insulation.



READY TO USE

Pre-assembled and ready for installation.



SEALING FUNCTION AGAINST LIQUIDS

Integrated sealing protects against liquids and moisture.



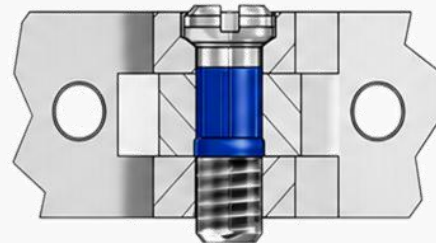
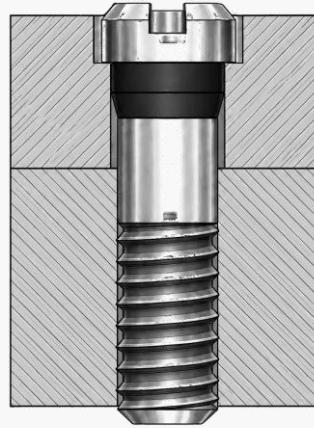
HEAT RESISTANCE

High performance even in high temperature environments.



LONG LASTING

High-quality materials for maximum durability.



SMOOTH MOVEMENT EFFECT IN DYNAMIC APPLICATIONS

Ensures smooth function and reduces wear in dynamic movements.

EXCLUSIVE TO SPACE SCREWS



THANK YOU!



FOR MORE INFORMATION CONTACT US:
INFOMIM@MIMPLUS.DE