

# UltraFlex

180°

Redefining hinge dynamics



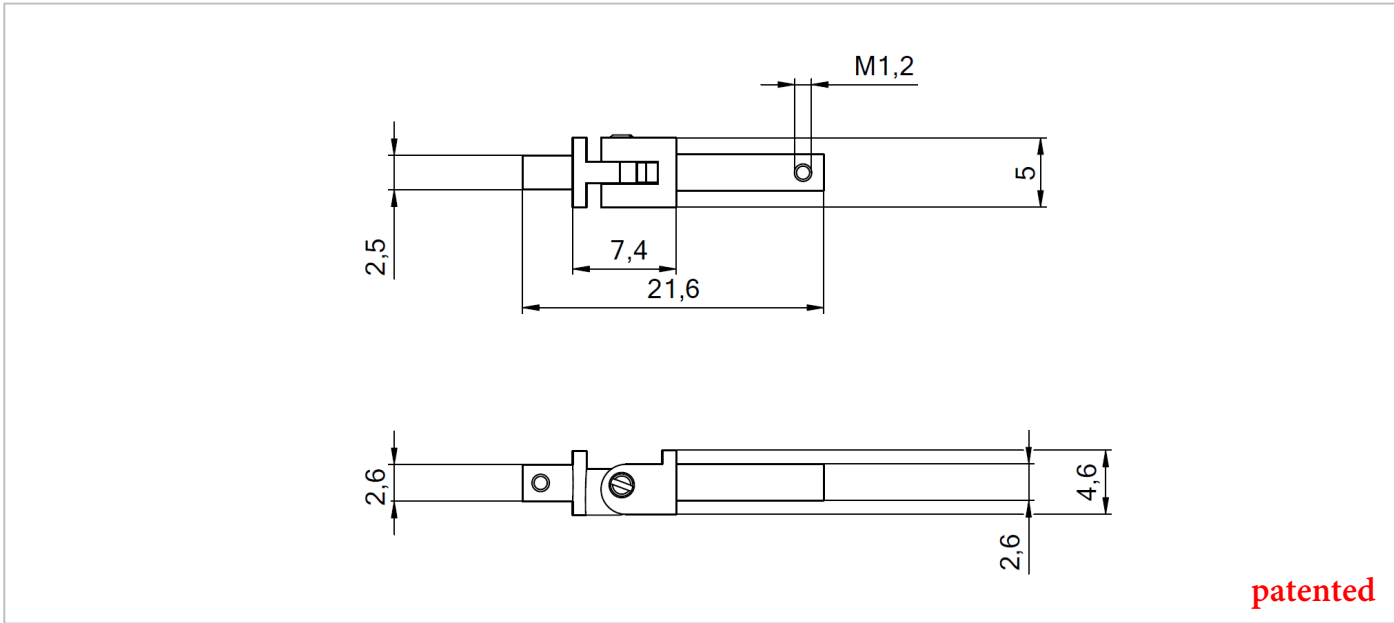
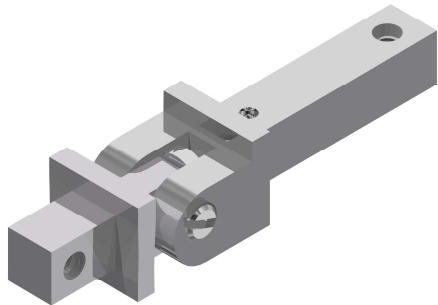
SPECIAL HINGES

# UltraFlex

180°

60-07057.290.01/02

- Flexible hinge with 180° opening angle
- Ideal for kids collection in injected frames or 3D printed frames
- Easy assembly with screws to the front and temple
- Always-keep-in-ball-system included
- Made from nickel silver - nickelplated



Matching parts	
Fixation screws to front	Fixation screws with temple
99-01850	99-01850

