

INJECTION & 3D PRINTED FRAMES → FLEX

UltraFlex

170°

PATENTED



Redefining hinge dynamics

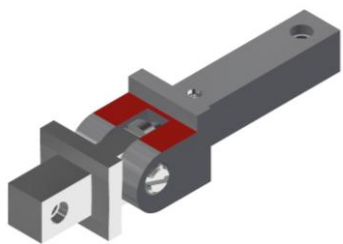
UltraFlex

170°

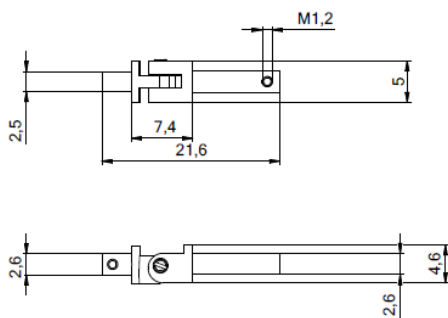
- Nickel silver spring with extended opening angle (170°)
- Optionally with an additional lateral movement (Ultraflex Plus)
- Patented "always-in" mechanism

UltraFlex STANDARD

170°

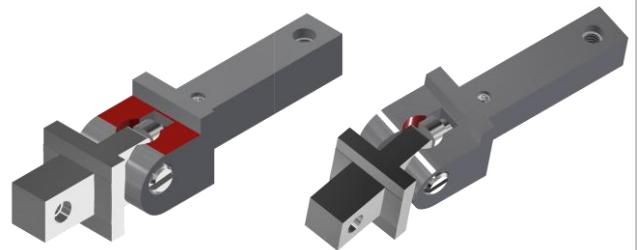


60-07057.290.01/02

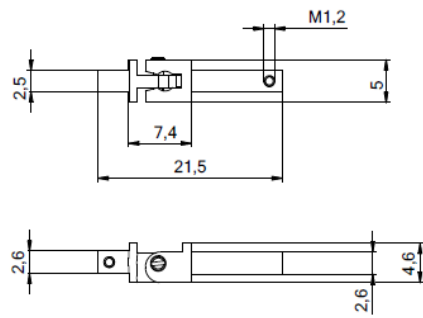


UltraFlex PLUS

170°



60-07064.400.01/02



Matching parts

Fixation screws to front



99-01850

Fixation screws with temple



99-01850

