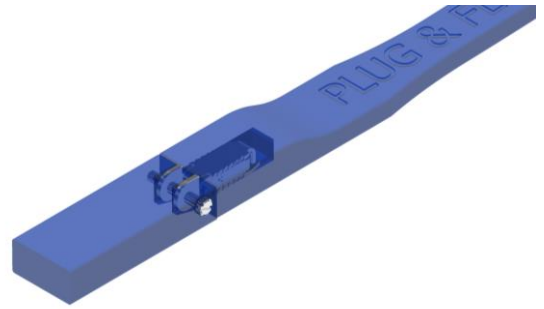


Features

- Spring hinge for injected frames
- 100% made in stainless steel
- Extreme tear out force thanks to special construction
- Easy, fast and cost effective mounting
- Zero rocking thanks to flexUno technology

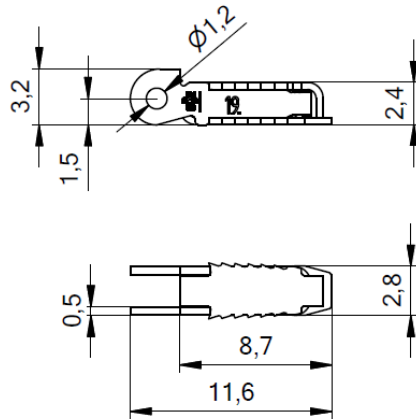


patented

60-49460.200.10

injection

mechanism not exchangeable



Matching parts

Direct joining

Pin



99-02910 - 6.0 mm
99-02911 - 8.0 mm

11-20025