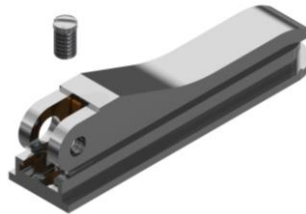


Features

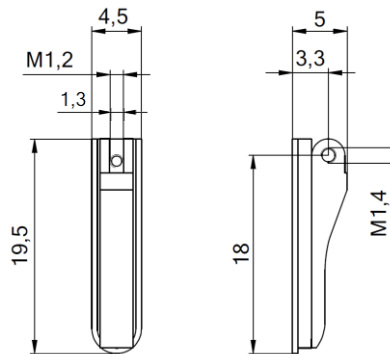
- Nickel silver spring hinge on short wire in low profile – nickel plated
- Flat design enables elegant integration in **buffalo horn or wooden temples**
- Stable pre-assembled spring mechanism
- MOQ 200 pairs
- 75% of recycled nickel silver chips are used in the production of new cases



60-03088

fixing with screw

mechanism not exchangeable



Milling tool 20-47441

Matching parts

Front hinges for plastic frames 90°	Rivet hinges / Rivets	Hinge screws	Fixation to temple
33-05066	51-05005 11-20247 - 8.0 mm 11-20251 - 5.4 mm 11-20245 - 4.2 mm 11-20246 - 3.0 mm	99-01813 99-02501 99-01539	99-02018