

ACETATE & COMBINATION FRAMES → HINGES ON WIRE

# Hinges on wire

EXTRA COMFORT



Soft motion – strong hold

# Hinges on wire

EXTRA COMFORT

Best performance of hinges on wire can be reached with our screws or hinges powered with injected plastic:

→ Space Screws (blue polyamide)

→ ISH technology for hinges (black polyamide)



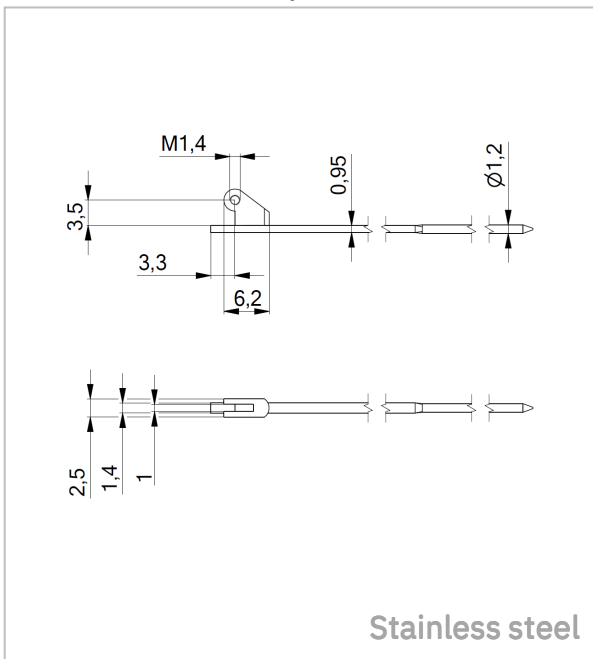
70-48716

**Pinox**

SLIM & STABLE

2.5 mm wide

Minimum width with plastic: 2.8 mm



## Matching parts

Wire + hinge		18-45143 + 52-09080
Front hinges for soldering		51-04405
Front hinges for welding		50-04448
Front hinges for plastic frames 90°		33-04553*
Front hinges for plastic frames 180°		33-01870
Rivet hinges / Rivets		51-05009* 51-05007* 11-20247 11-20251 11-20245 11-20246
Space Screws		99-02310.600 99-05310.600

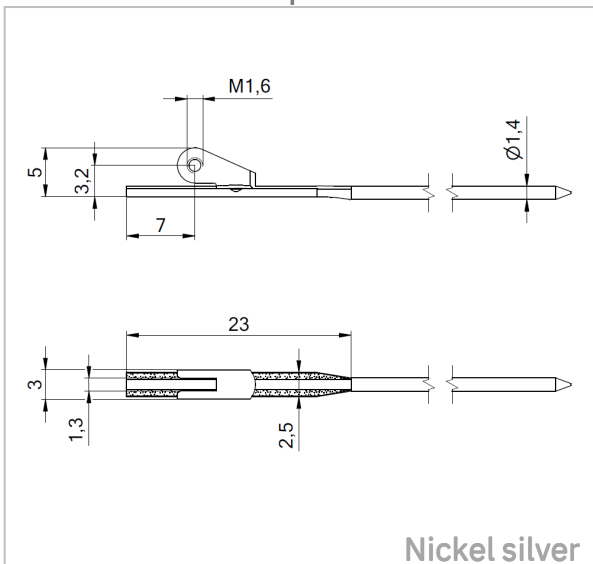
\* 6° inclination possible

70-07621



3.0 mm wide

Minimum width with plastic: 5.0 mm



## Matching parts

Wire + hinge		18-02983 + 42-03984
ISH hinges for plastic frames 90°		33-04215 33-04211 round foot
Front hinges for plastic frames 90°		33-04221
ISH hinges for plastic frames 180°		33-04538
Step hinges for soldering		52-04255
Screws		99-01458 for safety hinges 99-01723 for safety hinges
Space Screws		99-05223.600.00

# Hinges on wire

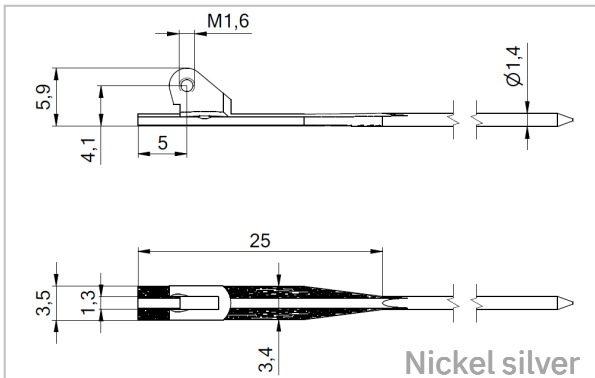
EXTRA COMFORT

70-07759



3.5 mm wide

Minimum width with plastic: 5.5 mm



## Matching parts

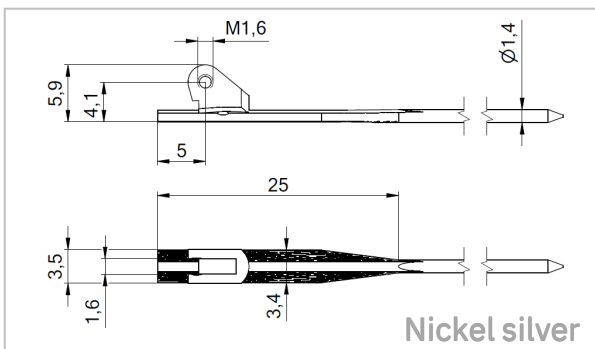
Wire + hinge		18-02884 + 42-02459.000
ISH hinges for plastic frames 90°		33-04215 33-04211 round foot
Front hinges for plastic frames 90°		33-04221
ISH hinges for plastic frames 180°		33-04538
Step hinges for soldering		52-04255
Screws		99-01357

70-07761



3.5 mm wide

Minimum width with plastic: 5.5 mm



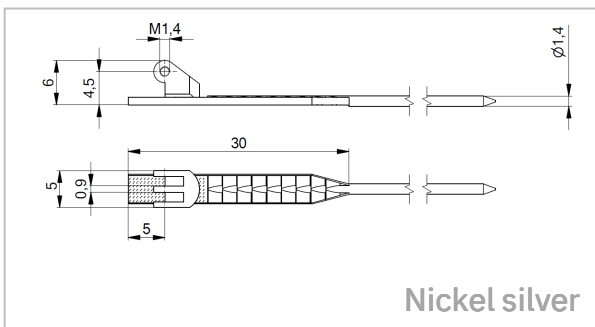
## Matching parts

Wire + hinge		18-02884 + 42-02459.160
ISH hinges for plastic frames 90°		32-02483 33-04271
ISH hinges for plastic frames 180°		33-04537 33-04540
Step hinges for soldering		52-04256
Rivet hinges / Rivets		51-05038 11-20247 11-20251 11-20245 11-20246
Screws		99-01357

70-07765

5.0 mm wide

Minimum width with plastic: 7.0 mm



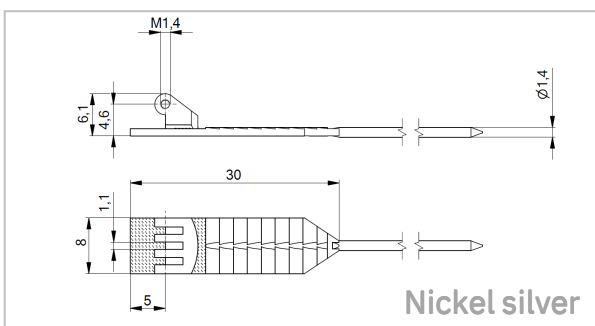
## Matching parts

Wire + hinge		18-05038 + 42-02465
ISH hinges for plastic frames 90°		33-04214*
Front hinges for plastic frames 90°		33-04217 33-04232
Front hinges for plastic frames 180°		33-04234
Rivet hinges / Rivets		51-05028 11-20247 11-20251 11-20245 11-20246
Space Screws		99-02334.600 99-05334.600
Screws		99-47140 (for 33-04214)

70-01037

8.0 mm wide

Minimum width with plastic: 10 mm



## Matching parts

Wire + hinge		18-05239 + 42-01036
Front hinges for plastic frames 90°		33-04233*
Front hinges for plastic frames 180°		33-05147
Rivet hinges / Rivets		51-05083* 11-20247 11-20251 11-20245 11-20246
Space Screws		99-02380.600 99-05380.600

\* 6° inclination possible



OBE GmbH & Co. KG · Turnstr. 22 · 75228 Ispringen · Germany  
Tel. +49 7231 802-0 · [www.obe.de](http://www.obe.de) · [info@obe.de](mailto:info@obe.de)