

ACETATE & COMBINATION FRAMES → HINGES ON WIRE

Neaty

HINGES ON WIRE

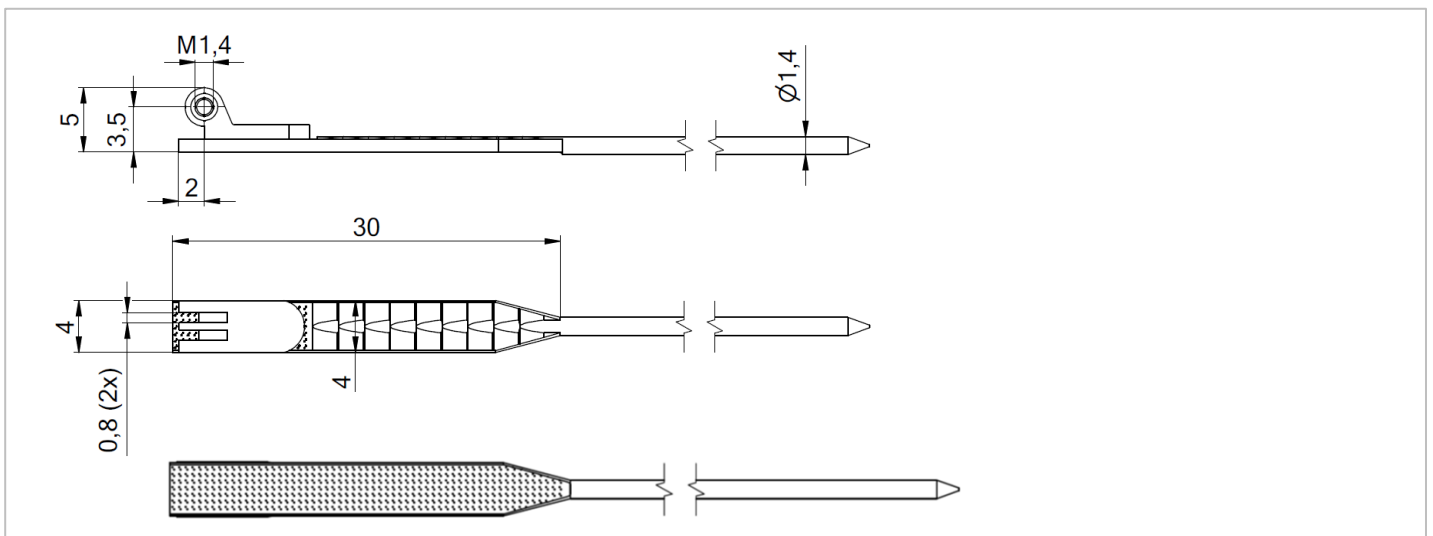
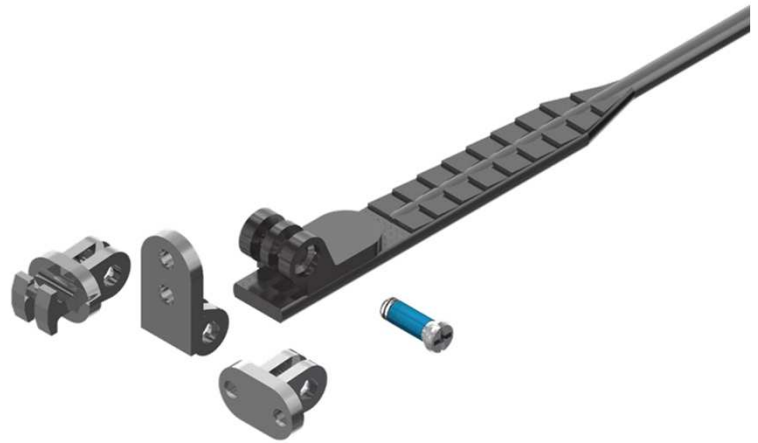


# Neaty

HINGES ON WIRE

70-07793

- Hinge on wire with flat rivet hinge look
- Made from nickel silver + nickel plated
- To be inserted in acetate temples
- Minimum width with plastic 6.0 mm
- Smooth articulation with Space Screws



## Matching parts

Front hinges for plastic frames 90°	Rivet hinges / Rivets	Rivet hinges / Rivets	Screws
			<p>Space</p>
<p>33-04555</p> <p>0°/6° inclination</p>	<p>51-05000.903.03*</p> <p>11-20247 - 8.0 mm 11-20251 - 5.4 mm 11-20245 - 4.2 mm 11-20246 - 3.0 mm 11-20260 - double rivet</p> <p>* 0°/6° inclination</p>	<p>51-05024*</p> <p>11-20247 - 8.0 mm 11-20251 - 5.4 mm 11-20245 - 4.2 mm 11-20246 - 3.0 mm</p> <p>* 0°/6° inclination</p>	<p>99-05379.600 99-02379.600</p>

