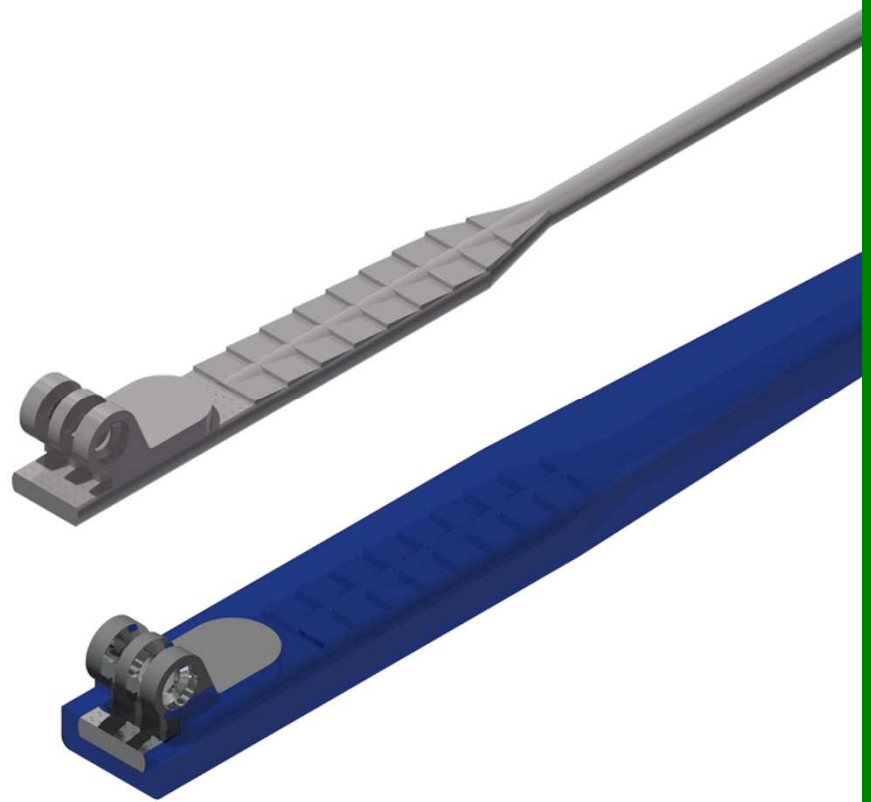


Neaty

HINGES ON WIRE



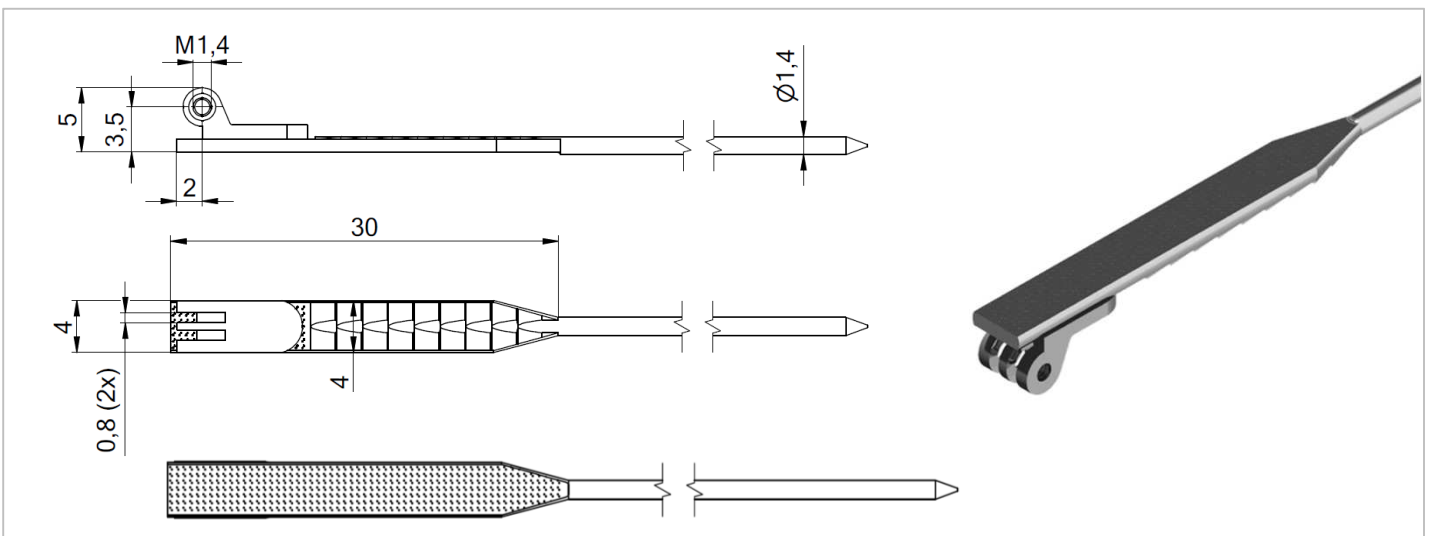
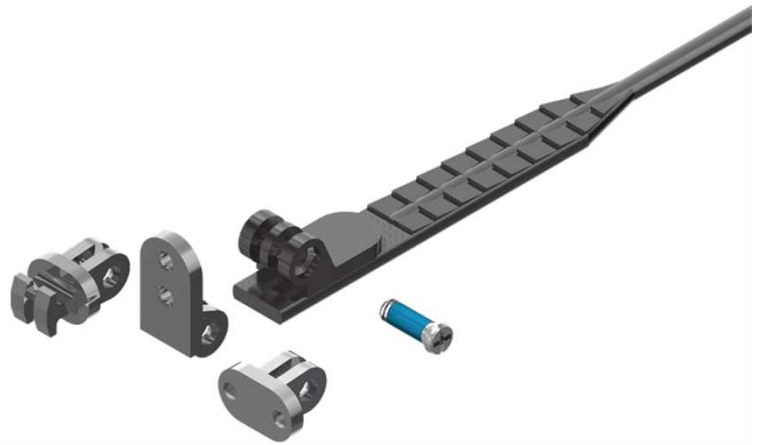
REGULAR HINGES

Neaty

HINGES ON WIRE

70-07793

- Hinge on wire with flat rivet hinge look
- Made from nickel silver + nickel plated
- To be inserted in acetate templates
- Minimum width with plastic 6.0 mm
- Perfect articulation with Space Screws



Matching parts

Front hinges for plastic frames 90°	Rivet hinges / Rivets	Rivet hinges / Rivets	Screws
			<p>Space</p>
33-04555	51-05000.903.03* 11-20247 - 8.0 mm 11-20251 - 5.4 mm 11-20245 - 4.2 mm 11-20246 - 3.0 mm 11-20260 - double rivet	51-05024* 11-20247 - 8.0 mm 11-20251 - 5.4 mm 11-20245 - 4.2 mm 11-20246 - 3.0 mm	99-05379.600 99-02379.600
0°/6° inclination	* 0°/6° inclination	* 0°/6° inclination	



OBE GmbH & Co. KG · Turnstr. 22 · 75228 Ispringen · Germany
 Tel. +49 7231 802-0 · www.obe.de · info@obe.de