

SMART GLASSES → NON FLEX



smartlink

PATENTED



THE UNIVERSAL HINGE SOLUTION FOR SMART GLASSES





smartlink– Patented cable-feedthrough solution in Smart glasses

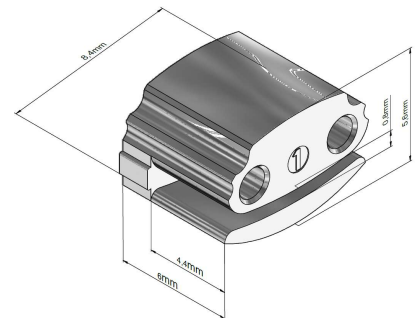
The smartlink is needed when data on smart glasses are transferred between temple and front for:

- Connecting the components of the glasses
- Supporting a constant signal flow between temple and front
- Protecting the inner cable in all temple positions

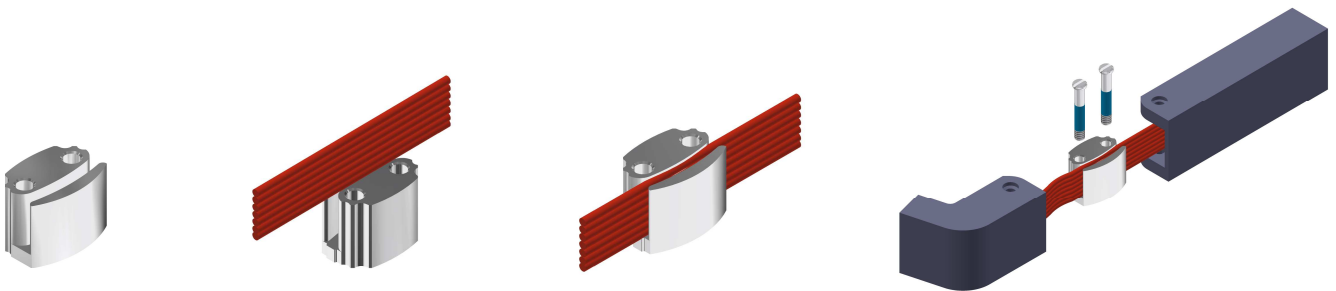


smartlink – Smart construction

- Manufactured in Metal Injection Molding technology
- Made in medical stainless steel with zero nickel release
- Cable friendly shape with rounded corners
- Universal use for left and right temples
- For all types of frame materials – injection, acetate, 3D or even metal



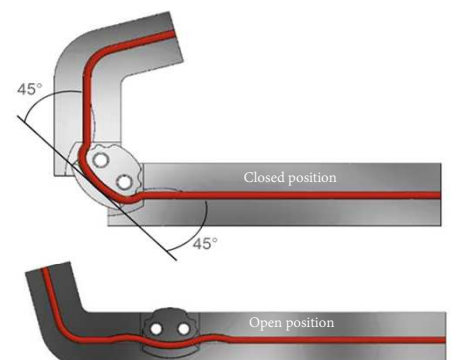
smartlink – Easy assembling



Insert the FPC/cable into the “Smart Link slit” and assemble it with two Space Screws to the front and to the temple.

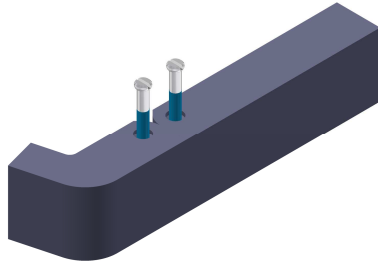
smartlink – Functionality without cable damage

- Articulation angle of 90° is divided into 2 x 45°
- This double hinge movement protects & guides the FPC / cable
- Closed position:
 - Cable is not stretched when temple is folded
 - Cable is protected from accidental contact
- Open position:
 - Cable is allocated naturally in its track
 - The curved construction of smartlink prevents a cable tangle

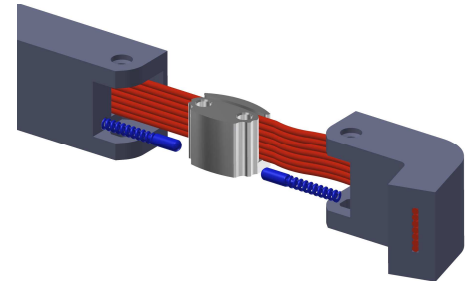




smartlink – Smart articulation

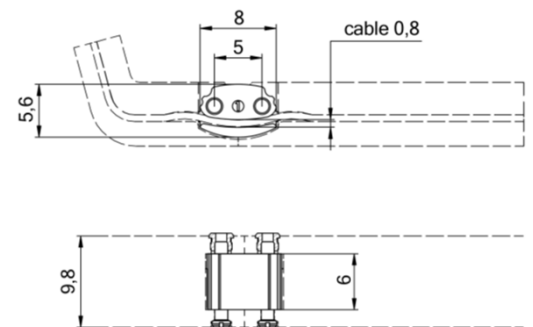


The plastic coated Space Screws with integrated ribs provide a constant smooth articulation of the temple without the risk of losing any screw.



Optionally it is possible to integrate two spring-pushers in the temple which stabilise the relevant end positions (open / closed). The result is a snap-in effect.

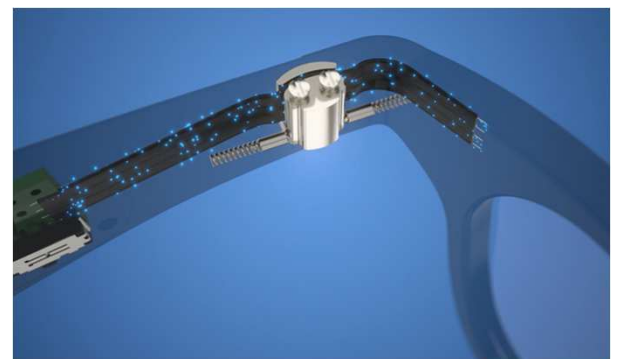
smartlink – Components & dimensions



Space Screws can be used in every frame material. In plastic frames it is necessary to add threaded sleeves for stability reasons.

smartlink– Always Save Data Transfer

- **CABLE PROTECTION SYSTEM**
smartlink protects the cable in all temple positions
Only minimal cable elongation during hinge movement necessary!
- **SAFETY**
Cable is protected from accidental contact
- **EASY HANDLING**
Easy mounting of onto cable and into frame
Easy disassembling of temple without dismounting the cable
- **SMOOTH MOVEMENT**
Plastic coated Space Screws provide smooth articulation
- **SNAP-IN EFFECT**
Two optional springs guarantee defined temple positions





smartlink

PATENTED

