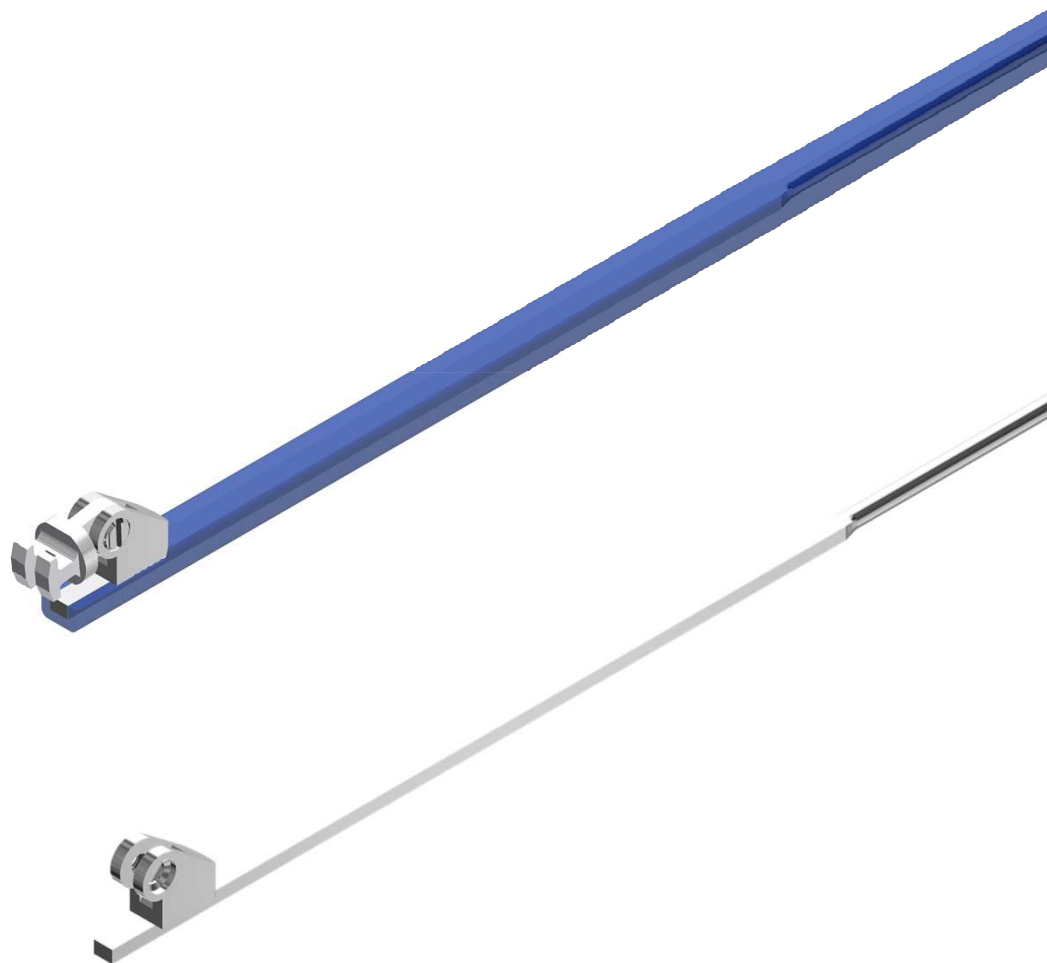


ACETATE & COMBINATION FRAMES → HINGES ON WIRE

**Pinox**

SLIM & STABLE



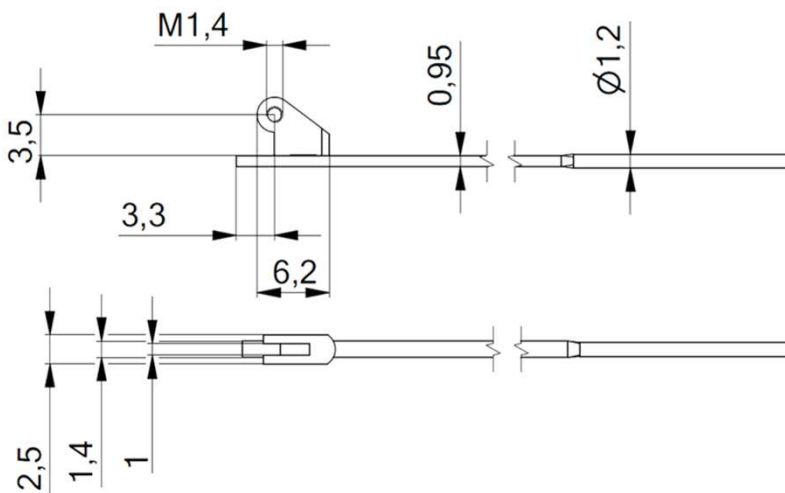
**Ultra thin - Ultra strong**

# Pinox

SLIM & STABLE

70-48716

- Super slim hinge on wire
- Minimum width with plastic: 2.8 mm
- Made from stainless steel
- Hinge equipped with ISS technology
- Smooth movement thanks to Space Screws



## Matching parts

Front hinges for soldering	Front hinges for welding	Front hinges for plastic frames 90°	Front hinges for plastic frames 180°	Rivet hinges	Screws
51-04405	50-04448	33-04553 <small>0°/6° inclination</small>	33-01870	51-05009 51-05007 11-20247 - 8.0 mm 11-20237 - 5.4 mm 11-20245 - 4.2 mm 11-20246 - 3.0 mm <small>0°/6° inclination</small>	99-05310.600 99-02310.600

