

ACETATE & COMBINATION FRAMES → HINGES ON WIRE

DRAKE

HINGES ON WIRE



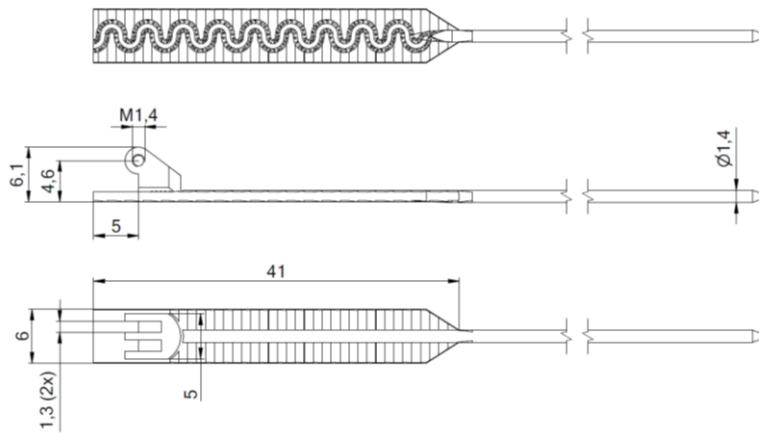
Flowing elegance – waves meet precision

DRAKE

HINGES ON WIRE

70-07826

- Design hinge on wire with special pattern on both sides
- Made from nickel silver + nickel plated
- To be inserted in acetate temples
- Minimum width with plastic 7.0 mm
- Smooth articulation with Space Screws or ISH technology



Matching parts

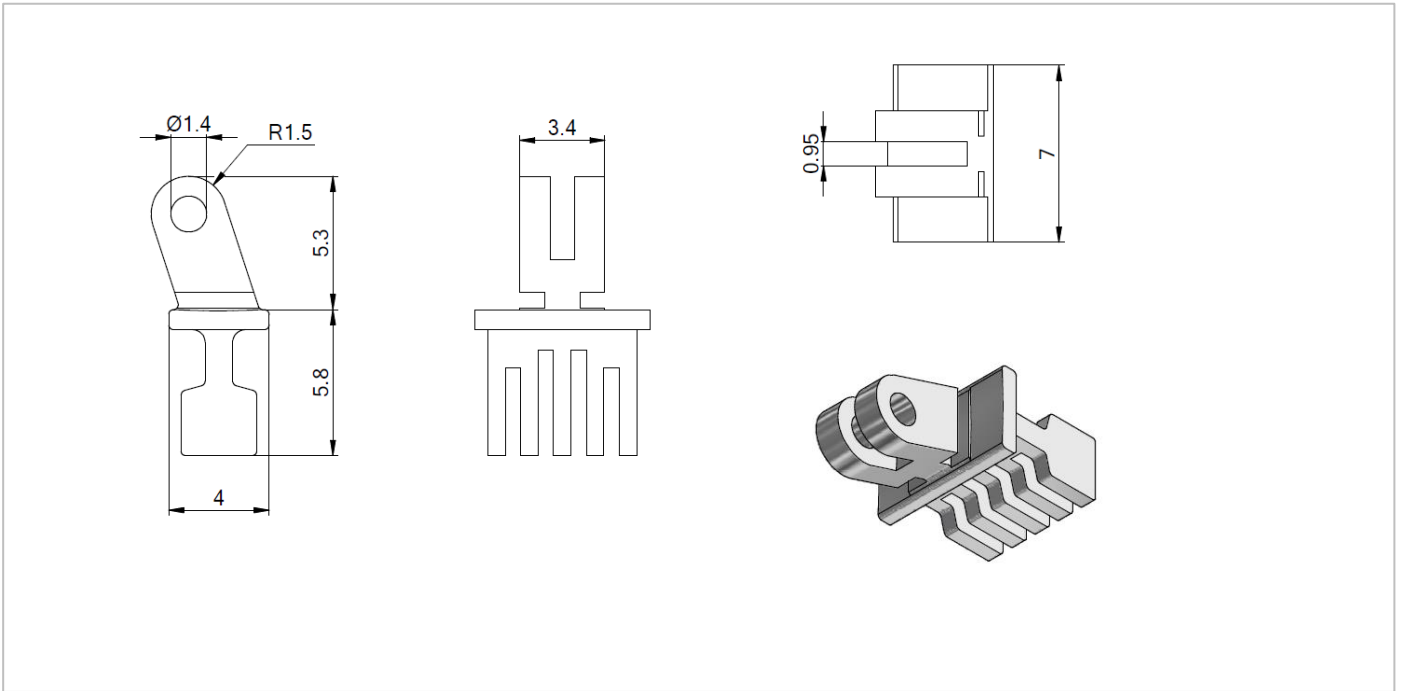
Safety hinges for plastic frames 90°	Front hinges for plastic frames 90°	Front hinges for plastic frames 180°	Rivet hinges / Rivets	Screws
<p>ISH²</p>				
33-04214	33-04217 33-04232 33-04239 BARCODE	33-04234	51-05028 11-20247 - 8.0 mm 11-20251 - 5.4 mm 11-20245 - 4.2 mm 11-20246 - 3.0 mm	99-05334.600 99-02334.600 99-47140 (for 33-04214) 99-44175 (for 33-04214)

33-04239.000.0Y



BARCODE

- 90° design front hinge
- 5 bar design eyecatcher
- Inserted flush on acetate level or embossed





OBE GmbH & Co. KG · Turnstr. 22 · 75228 Ispringen · Germany
Tel. +49 7231 802-0 · www.obe.de · info@obe.de