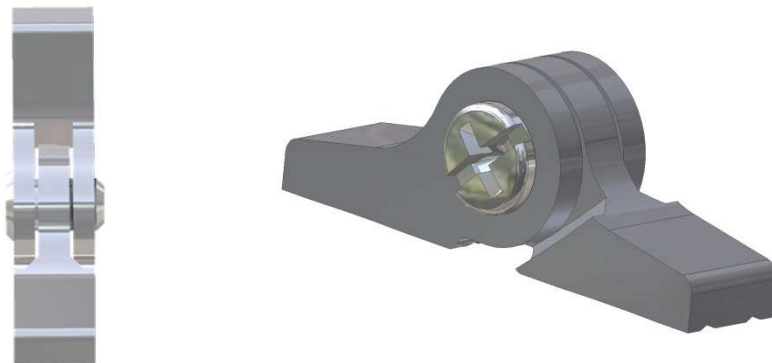


PURE TITANIUM FRAMES → NON FLEX

# Titanium

REGULAR HINGES

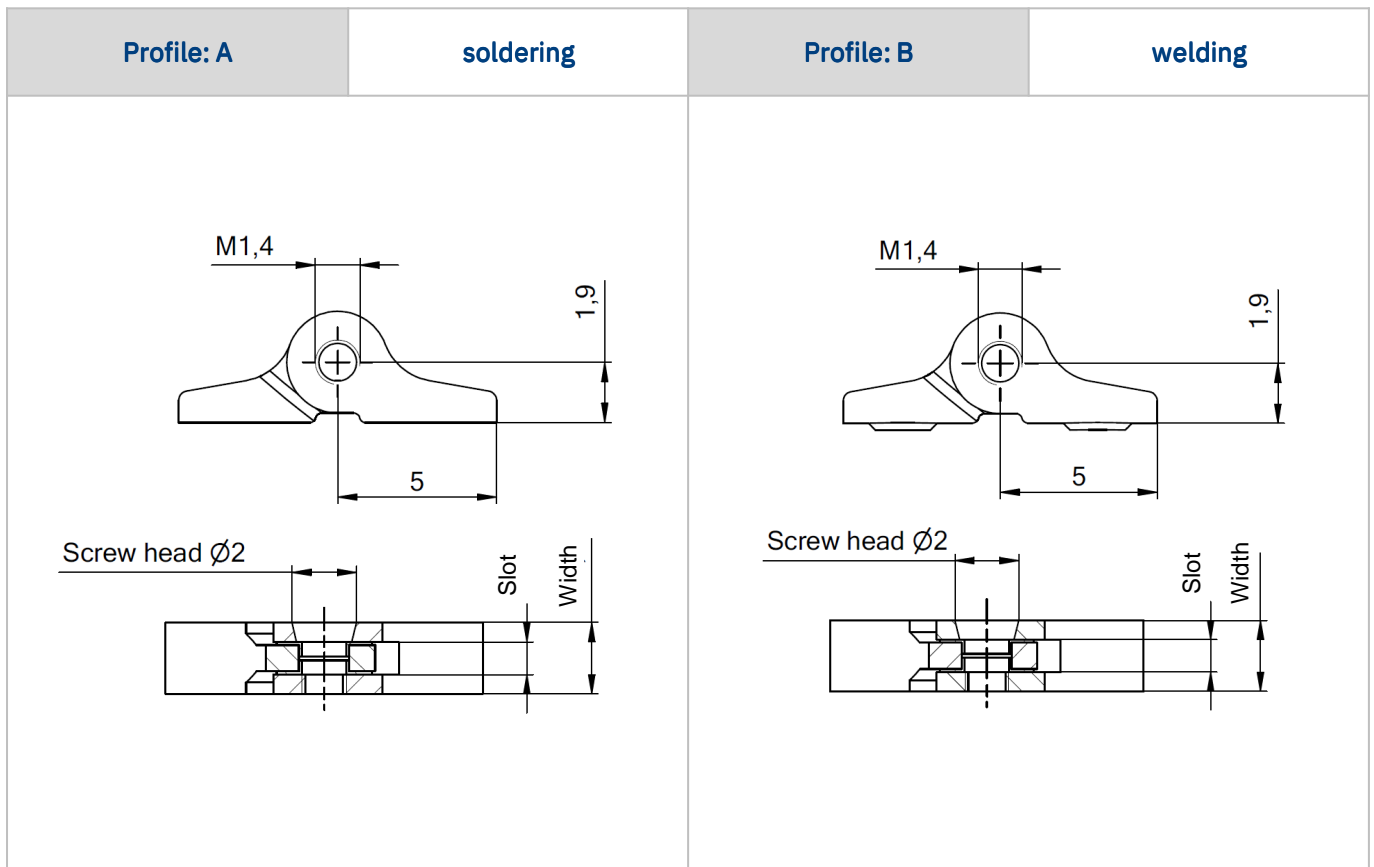


**Mastering motion with titanium expertise**

# Titanium

## REGULAR HINGES

- 2.3 mm or 3.0 mm wide
- Made from titanium grade 2
- Integrated washer system for smooth movement against friction
- Only in assembled version available



Matching parts				
Art.No.	51-27412.100 51-27412.200	50-27422.100	51-27414.100 51-27414.200	50-27424.100 50-27424.200
Profile	A	B	A	B
Width	2.3	2.3	3.0	3.0
Slot	1.0	1.0	1.2	1.2
Screw head Ø	2.0	2.0	2.0	2.0

