

flexino

STAINLESS STEEL

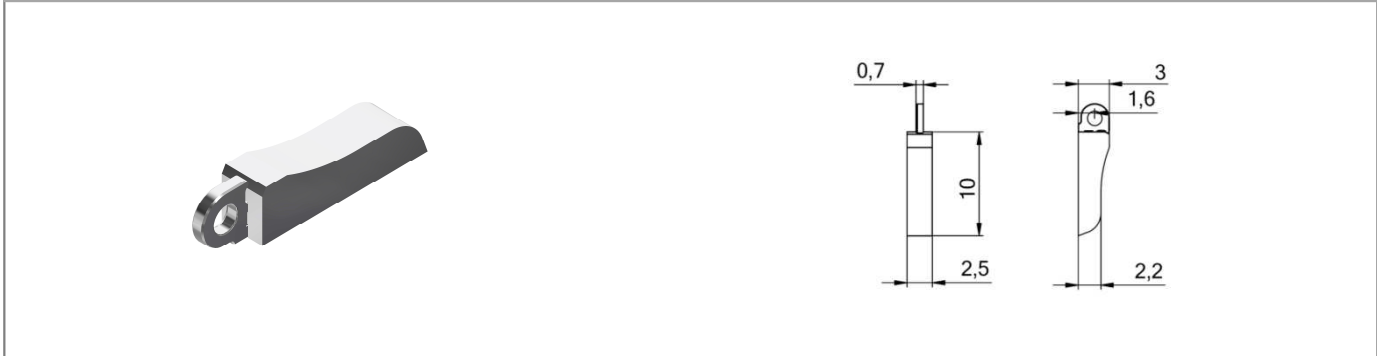
100% stainless steel
Slim – Strong – Safe



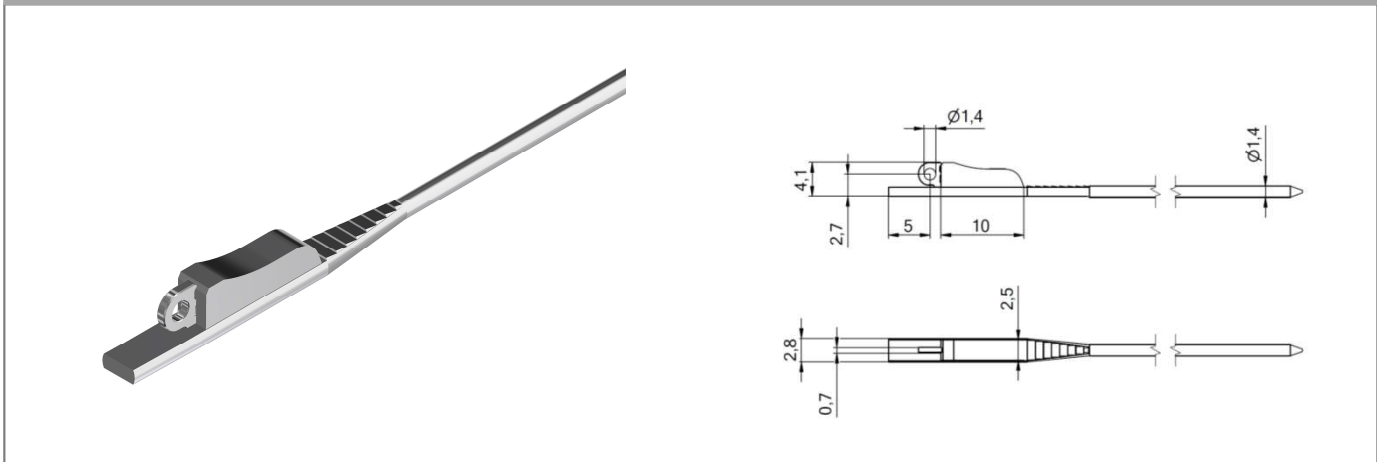
STAINLESS STEEL SPRING HINGES

- 100% stainless steel
- No nickel treatment
- flexIno one barrel mechanism in preassembled in case
- No corrosion – high tensile strength
- For metal & acetate frames

SUPER SLIM SIZE 2.5 mm: 60-44051 – Loose stainless steel spring hinge to be laser welded for metal frames



SUPER SLIM SIZE 2.5 mm: 73-44051 – Spring hinge on wire in stainless steel for inserting in acetate frames



Stainless steel matching parts

Front hinges for soldering	Front hinges for plastic frames 90°	Screws
52-45051	33-44151	99-01811 99-02525 99-04811