

ACETATE & COMBINATION FRAMES → FULLY HIDDEN FLEX

**Cachew**

WITH FLEXINO

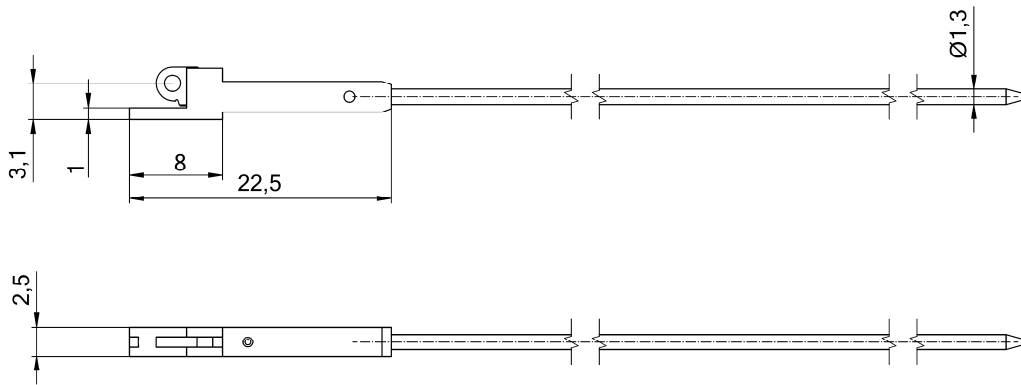
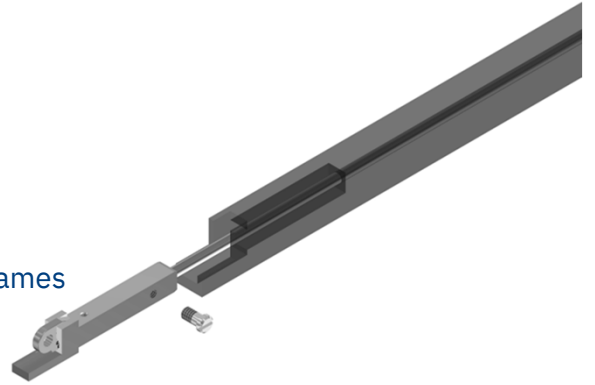


**Slim. Hidden. Powerful.**



## 60-08042.50X

- Hidden spring hinge temple for long temple tips
- Plain look between temple and front
- Safe connection with OBE screw
- Minimum temple width with temple tip = 4.5 mm
- Wide variety of front hinges for full plastic or combination frames



Galvanised nickel silver, mechanism stainless steel

### Matching parts

Front hinges for plastic frames 90°	Front hinges for plastic frames 180°	Step hinges for soldering	Front hinges	Hinge screws	Fixation to temple	Fixation to front
33-04041	33-05016	52-05128	33-02113	99-01811 99-02525	99-02027	99-01375