

INJECTION & 3D PRINTED FRAMES → FLEX

UltraFlex

170°

PATENTED



Redefining hinge dynamics

# UltraFlex

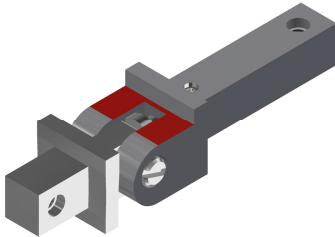
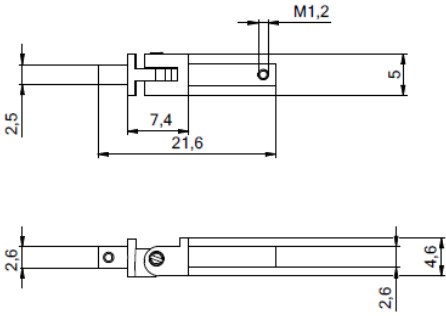
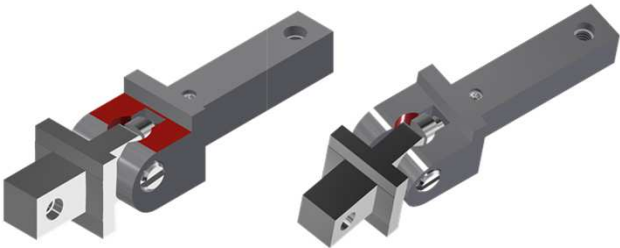
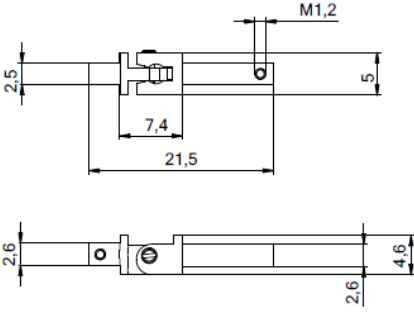
170°



Discover the advanced Ultraflex Hinge in nickel silver, designed to improve the functionality and comfort of your eyewear. Available in two versions – always with the patented “always-in” mechanism:

**Ultraflex Standard:** This hinge permits an extensive opening angle of up to 170°, providing greater flexibility and a secure fit.

**Ultraflex Plus:** In addition to the 170° opening, this version offers an additional 15° lateral movement up and down, simulating the natural motion of a joint for better comfort and adaptability.

Upgrade your eyewear with Ultraflex technology for superior performance and reliability!

<p><b>UltraFlex STANDARD</b></p> <p>170°</p>  <p><b>60-07057.290.01/02</b></p> 	<p><b>UltraFlex PLUS</b></p> <p>170°</p>  <p><b>60-07064.400.01/02</b></p> 
-----------------------------------------------------------------------------------------------------------------------------------------------------------------------------------------------------------------------------------------------------	---------------------------------------------------------------------------------------------------------------------------------------------------------------------------------------------------------------------------------------------------

Matching parts	
Fixation screws to front	Fixation screws with temple
	
99-01850	99-01850

