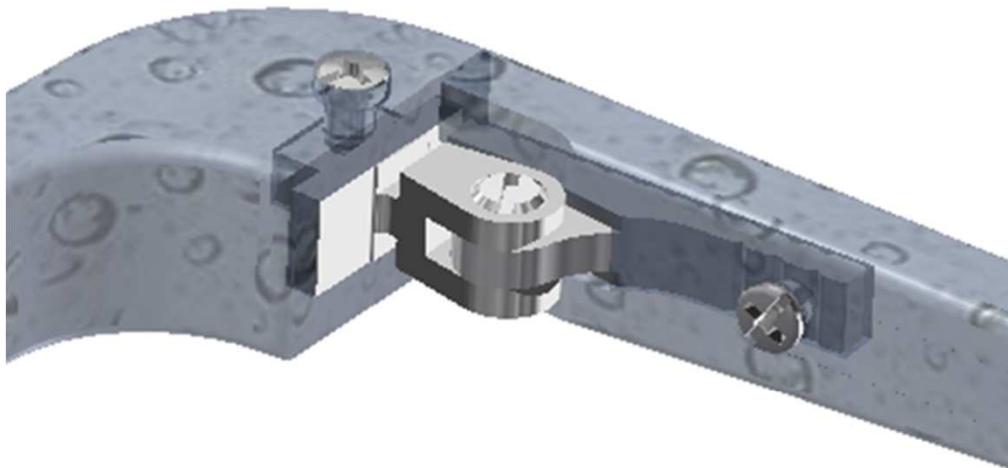


INJECTION & 3D PRINTED FRAMES → NON FLEX

Mariposa

WITH SPACE SCREWS



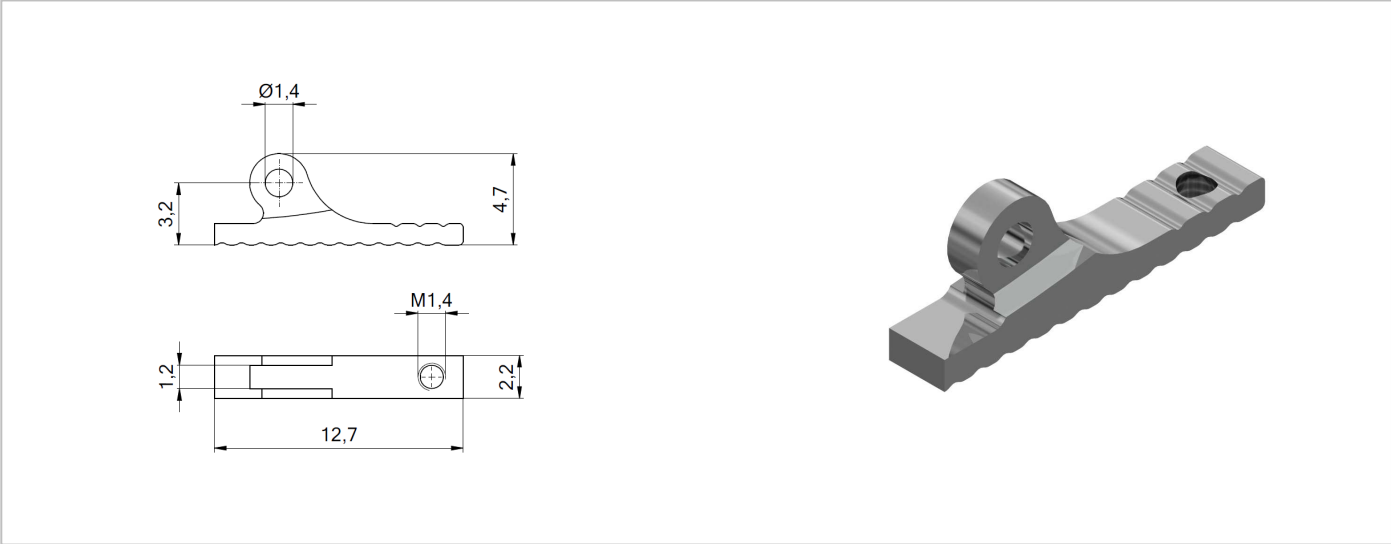
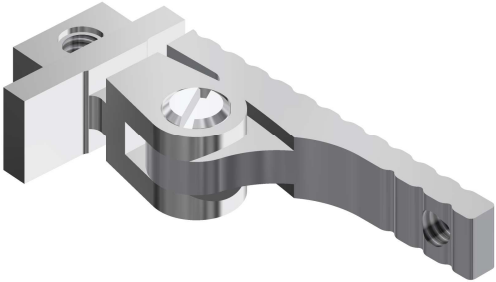
Designed to disappear - built to impress

Mariposa

WITH SPACE SCREWS

70-02112 + 33-02112

- Nickel silver hinge – nickel plated
- Main application in 3D printed frames
- Easy assembly with screws to the front and temple
- Smooth movement with Space Screws



Matching parts			
Front hinges for plastic frames 90°	Fixation screws to front	Fixation screws with temple	Hinge screws
33-02112	99-01814	99-01803	99-05324.600 99-02324.600

