

ACETATE & COMBINATION FRAMES → HINGES ON WIRE

XXL

HINGES ON WIRE

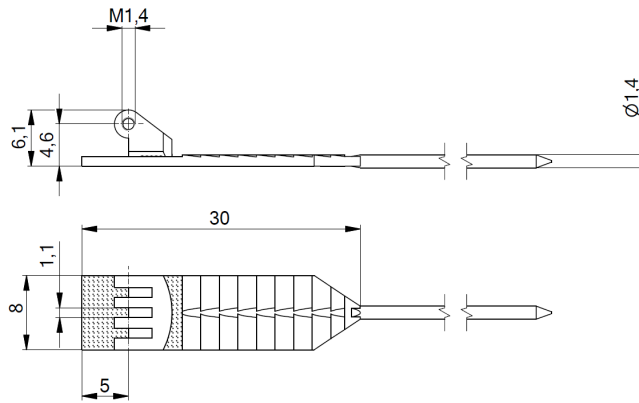


XXL

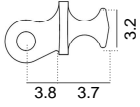
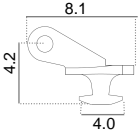
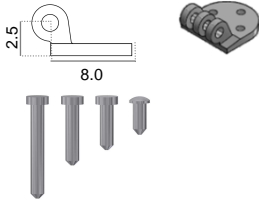
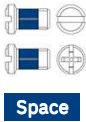
HINGES ON WIRE

70-01037

- Extra wide regular hinge on wire
- Made from nickel silver + nickel plated
- To be inserted in acetate temples
- Minimum width with plastic 10.0 mm
- Smooth articulation with Space Screws



Matching parts

Front hinges for plastic frames 90°	Front hinges for plastic frames 180°	Rivet hinges / Rivets	Screws
			
33-04233	33-05147	51-05083 11-20247 - 8.0 mm 11-20251 - 5.4 mm 11-20245 - 4.2 mm 11-20246 - 3.0 mm	99-05380.600 99-02380.600
0°/6° inclination		0°/6° inclination	

