



THE HINGE COMPANY



Catalogue

2026 | 2027

WHAT MAKES US THE WORLD'S HINGE SPECIALIST

Founded in 1904 and headquartered in Ispringen, Germany, OBE GmbH & Co. KG is a global leader in the production of high-quality precision components and assemblies, with a strong focus on the eyewear industry. The company is renowned for its premium hinges, screws, and other metal parts, serving both the luxury eyewear segment and the rapidly growing smart-glasses market.

With production facilities in Germany, China, Italy, and Vietnam, as well as additional subsidiaries and sales representations across Europe and Asia, OBE maintains a strong international presence. The company is committed to innovation, close customer collaboration, and sustainable operations, pursuing the goal of achieving carbon neutrality by 2040.

Catalogue 2026 | 2027 - Subject to change without prior notice - all measurements in mm



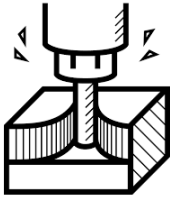

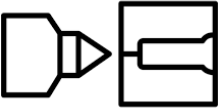

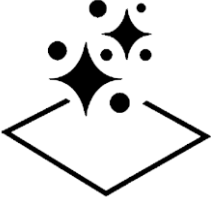
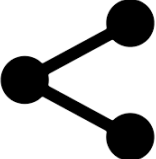

 <p>ISO 9001:2015</p> <p>QUALITY</p>	 <p>GLOBAL NETWORK</p>	 <p>4 FACILITIES WORLDWIDE</p>
 <p>LARGE SCALE PRODUCTION</p>	 <p>TAKE A LOOK!</p>	 <p>TAILOR-MADE SOLUTIONS</p>
 <p>INNOVATION</p>	 <p>SMART HINGE COMPETENCE</p>	 <p>SUSTAINABILITY</p>

OUR FULL SPECTRUM OF MANUFACTURING POWER

Our group masters an exceptionally wide range of advanced manufacturing technologies. These include precision processes such as profile machining, CNC milling and turning, as well as forming techniques like stamping, pressing, investment casting, metal-injection-moulding, and metal 3D-printing. We employ a comprehensive range of joining technologies throughout the entire organisation—from traditional soldering and resistance welding to advanced laser welding—supported by both manual and fully automated assembly processes.

Our capabilities are further enhanced by surface technologies, including vibratory finishing, sandblasting, polishing, laser engraving, and electroplating. Across all these fields, we work with a broad variety of materials such as nickel silver, bronze, titanium, stainless steel, aluminum, copper beryllium, and sterling silver.

Catalogue 2026 | 2027 - Subject to change without prior notice - all measurements in mm


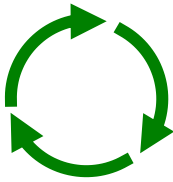







 <p>PROFILE PROCESSING</p>	 <p>STAMPING</p>	 <p>CNC MILLING / TURNING</p>
 <p>INVESTMENT CASTING</p>	 <p>METAL INJECTION MOULDING</p>	 <p>METAL 3D PRINTING</p>
 <p>SURFACE TREATMENT</p>	 <p>JOINING TECHNOLOGIES</p>	 <p>LASER ENGRAVING / CUTTING</p>

ENVIRONMENTAL LEADERSHIP ROOTED IN 1996

As a leading company in the eyewear component industry, we always strive to avoid or minimise harm to the environment arising from the production and use of our products. Already in the 1990s we developed an environmental management system and were certified according to ISO 14001 and EMAS – ECO Management Audit Scheme – implemented by the European Community.

In the last 30 years OBE achieved thanks to the integrated environmental organisation substantial results reducing the consumption of important resources like water, energy and waste. Another key factor in our environmental strategy is the recycling of raw materials which are returned after processing to our suppliers. For this engagement OBE received many awards – among them back in 2008 a special SILMO d'Or for our sustainable performance.

Catalogue 2026 | 2027 – Subject to change without prior notice – all measurements in mm


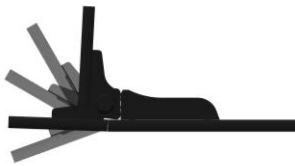
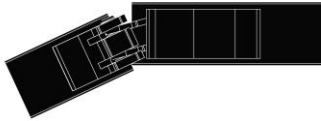





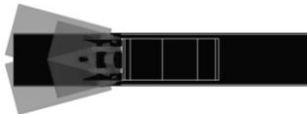
 <p>WATER MANAGEMENT</p>	 <p>RAW MATERIAL RECYCLING</p>	 <p>GREEN ENERGY</p>
 <p>ECO-FRIENDLY PACKAGINGS</p>	 <p>CERTIFIED SINCE 1996</p>	 <p>HEAT RECOVERY SYSTEM</p>
 <p>ELECTRICITY MANAGEMENT</p>	 <p>AUXILIARY MATERIAL MANAGEMENT</p>	 <p>WASTE MANAGEMENT</p>

FLEXUNO SPRING HINGES - ENGINEERED FOR ENDURANCE

Introduced in 2007, FLEXUNO quickly gained market recognition as a groundbreaking core technology within our product portfolio. Based on a robust three-element construction—a stainless-steel U-shaped mechanism, a precision spring, and a durable housing—this hinge concept delivers exceptional strength and long-term stability.

Its design ensures that performance is not merely the result of a strong spring, but of a fundamentally resilient mechanism that withstands high stress without breaking. Nearly indestructible in both optical workshop handling and daily use, flexUno has become a preferred choice for children’s eyewear and many other demanding applications. Its minimal lateral play and wide compatibility with diverse frame types have enabled the development of more than ten product sub-families, varying in materials, design, and application.

Catalogue 2026 | 2027 - Subject to change without prior notice - all measurements in mm

 <p>RESISTANT</p>	 <p>DURABLE</p>	 <p>NEARLY INDESTRUCTIBLE</p>
 <p>STRONG</p>	 <p>SIMPLE</p>	 <p>STABLE</p>
 <p>UNIVERSAL APPLICATION</p>	 <p>NEARLY ZERO ROCKING</p>	 <p>EASY FITTING</p>

SPACE SCREWS - SMOOTH NON-FLEX HINGE MOTION

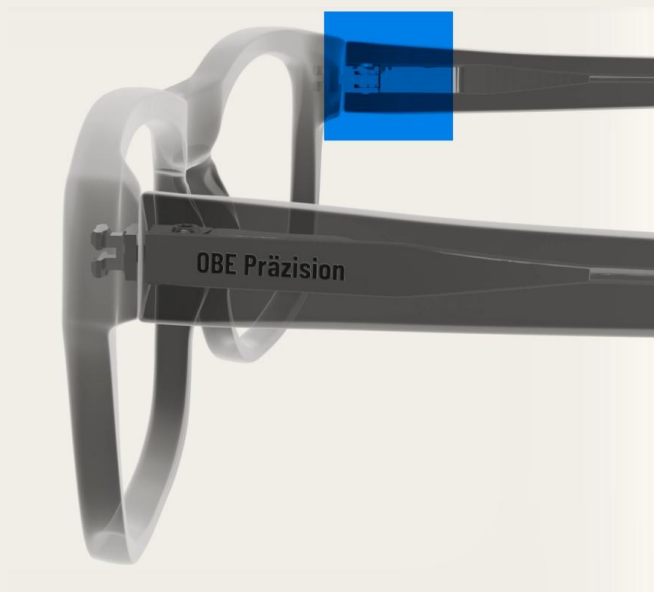
OBE Space Screws are precision-engineered screws which are equipped with a plastic injection safety system - designed specifically for non-flex eyewear hinges. This system consists of six lateral knobs that run along the entire length of the screw, allowing it to compensate effectively for manufacturing tolerances within the hinge.

Space Screws create a soft, smooth and controlled hinge movement while simultaneously increasing resistance to loosening, even under long-term use. The screws are produced through an almost waste-free manufacturing process, making them both technologically refined and resource-efficient. As a fully integrated fastening system, OBE Space Screws offer reliable functional stability for up to 25,000 hinge movements, ensuring durable performance and a distinctly premium feel. Nearly all our non-flex hinges are equipped with the Space Screw system, elevating the perceived quality.

Catalogue 2026 | 2027 - Subject to change without prior notice - all measurements in mm

 <p>SMOOTH MOVEMENT</p>	 <p>SCREWS STAY TIGHT</p>	 <p>MIN. 25.000 CYCLES</p>
 <p>HIGH QUALITY</p>	 <p>TAKE A LOOK</p>	 <p>TOLERANCE COMPENSATION</p>
 <p>UNIVERSAL USE</p>	 <p>WASTE FREE PRODUCTION</p>	 <p>INNOVATION</p>

DIRECTORY



ACETATE & COMBINATION FRAMES

9

METAL & COMBINATION FRAMES

49

INJECTION & 3D PRINTED FRAMES

75

PURE TITANIUM FRAMES

91

FRAMES MADE FROM SPECIAL MATERIALS

101

SPECIAL SCREWS AND ACCESSORIES





105

SMART GLASSES

117

ACETATE & COMBINATION FRAMES

FLEX HINGES FOR INSERTING

	PRODUCT	ARTICLE NO.	PAGE		
 <p>CLASSIC TWO-BARREL FLEX</p>	FLEXUNO NICKEL SILVER	73-04062	10		
		73-04063	11		
73-04064		12			
	FLEXUNO STAINLESS STEEL	73-44062	13		
		73-44063	14		
 <p>CLASSIC ONE-BARREL FLEX</p>	LITELINE	73-08080	15		
		73-08084	16		
		73-08088	17		
 <p>DESIGN TWO-BARREL FLEX</p>	MINI	73-44031	18		
		WAFERPLUS	73-05043	19	
			WAFER	73-04066.XXX	20
				73-04061.40X	21
	SPIKE	73-04066.75X	22		
 <p>FULL HIDDEN FLEX</p>	CACHÉ	73-07050	23		
		CACHEW	60-08042.50X	24	
			CUBEFLEX	60-08050.69Z.XY	25

FLEXUNO NICKEL SILVER - 2.7 mm

- Nickel silver spring hinge on wire - nickel plated
- Stable U-shaped mechanism in stainless steel already pre-assembled
- Zero rocking & easy adjustment with flexUno two-barrel construction



MOVIE



patented



patented

Catalogue 2026 | 2027 - Subject to change without prior notice - all measurements in mm

73-04062.70X	insertion	mechanism exchangeable	73-04062.40X	insertion	mechanism not exchangeable
Barreling cap for case 91-20219		Barreling cap for case 91-20219		Barreling cap for case 91-20219	

Matching parts

Front hinges for plastic frames 90°	Front hinges for plastic frames 180°	Step hinges for soldering	Screws
33-05062 33-04262 off center 0°/6° inclination	33-04062	52-05462 52-05262	99-01730 99-02016 99-04724 99-02016.800 self aligning for break off

FLEXUNO NICKEL SILVER - 3.0 mm

- Nickel silver spring hinge on wire - nickel plated
- Stable U-shaped mechanism in stainless steel already pre-assembled
- Zero rocking & easy adjustment with flexUno two-barrel construction



patented



patented

73-04063.70X	insertion	mechanism exchangeable	73-04063.40X	insertion	mechanism not exchangeable
Barreling cap for case 91-20217			Barreling cap for case 91-20217		

Matching parts

Front hinges for soldering	Front hinges for plastic frames 90°	Front hinges for plastic frames 180°	Step hinges for soldering	Rivet hinges	Screws
52-04263	33-05363 33-04163 off center 33-04067 33-02363 0°/6° inclination	33-04063	52-05363 52-05463 52-05563	51-05130 0°/6° inclination Matching rivets: see page T16	99-01814 99-02524 99-04814 99-02524.800 self aligning for break off

Catalogue 2026 | 2027 - Subject to change without prior notice - all measurements in mm

FLEXUNO NICKEL SILVER - 4.3 mm

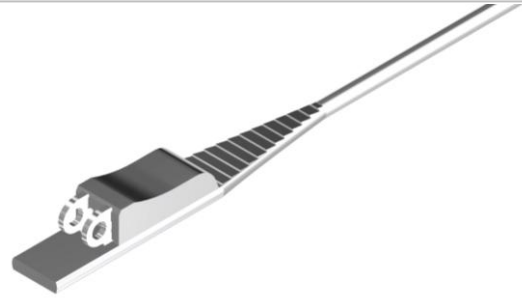
- Nickel silver spring hinge on wire - nickel plated
- Stable U-shaped mechanism in stainless steel already pre-assembled
- Zero rocking & easy adjustment with flexUno two-barrel construction



MOVIE



patented



patented

73-04064.70X	insertion	mechanism exchangeable	73-04064.40X	insertion	mechanism not exchangeable
Barreling cap for case 91-20212			Barreling cap for case 91-20212		

Matching parts

Front hinges for soldering	Front hinges for plastic frames 90°	Front hinges for plastic frames 180°	Step hinges for soldering	Rivet hinges	Screws
52-04264	33-05164 33-04164 off center 33-02364 0°/6° inclination	33-04064	52-05164 52-05264	51-05129 0°/6° inclination Matching rivets: see page 116	99-01816 99-02503 99-04816 99-02503.800 self aligning for break off 99-02591 self aligning

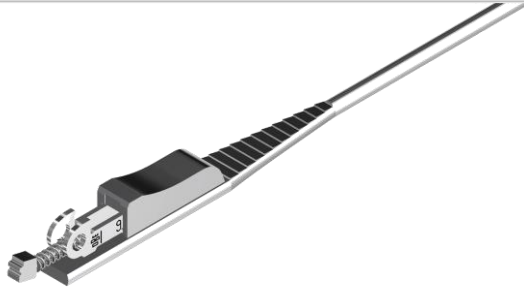
Catalogue 2026 | 2027 - Subject to change without prior notice - all measurements in mm

FLEXUNO STAINLESS STEEL - 2.7 mm

- 100% stainless steel spring hinge on wire - zero corrosion
- Stable U-shaped mechanism already pre-assembled
- Zero rocking & easy adjustment with flexUno two-barrel construction
- All matching parts made from stainless steel



MOVIE



patented



patented

Catalogue 2026 | 2027 - Subject to change without prior notice - all measurements in mm

73-44062.70X	insertion	mechanism exchangeable	73-44062.40X	insertion	mechanism not exchangeable
Barreling cap for case 91-20219			Barreling cap for case 91-20219		

Stainless steel matching parts

Front hinges for plastic frames 90°	Screws
33-44162	99-01730 99-02016 99-04724

FLEXUNO STAINLESS STEEL - 3.0 mm

- 100% stainless steel spring hinge on wire - zero corrosion
- Stable U-shaped mechanism already pre-assembled
- Zero rocking & easy adjustment with flexUno two-barrel construction
- All matching parts made from stainless steel



MOVIE



patented



patented

Catalogue 2026 | 2027 - Subject to change without prior notice - all measurements in mm

73-44063.70X	insertion	mechanism exchangeable	73-44063.40X	insertion	mechanism not exchangeable
Barreling cap for case 91-20217		Barreling cap for case 91-20217			

Stainless steel matching parts	
Front hinges for plastic frames 90°	Screws
33-44163	99-01814 99-02524 99-04814

LITELINE NICKEL SILVER - 2.0 mm

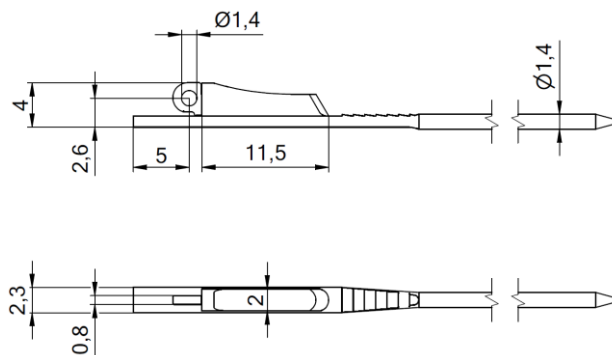
- Nickel silver spring hinge on wire - nickel plated
- Stable stainless steel mechanism already pre-assembled



73-08080.30X

insertion

mechanism not exchangeable



Barreling cap for case 91-20222

Matching parts

Front hinges for plastic frames 90°	Front hinges for plastic frames 180°	Step hinges for soldering	Screws
33-05105	33-05010	52-05112	99-01803 99-02530 99-04803

Catalogue 2026 | 2027 - Subject to change without prior notice - all measurements in mm

LITELINE NICKEL SILVER - 2.4 mm

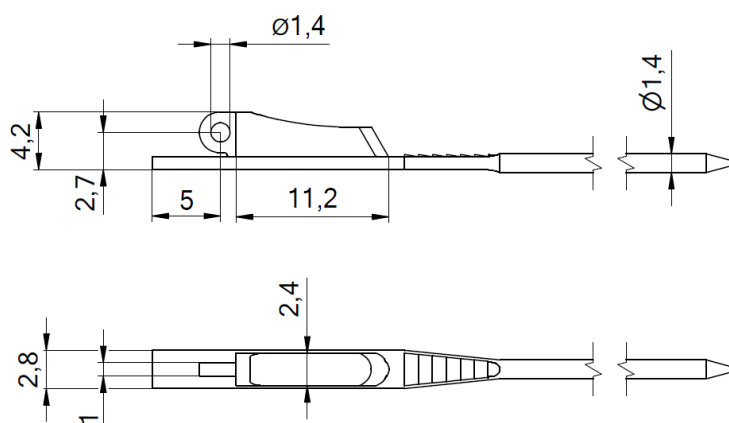
- Nickel silver spring hinge on wire - nickel plated
- Stable stainless steel mechanism already pre-assembled



73-08084.30X

insertion

mechanism not exchangeable



Barreling cap for case 91-20201

Matching parts

Front hinges for plastic frames 90°	Front hinges for plastic frames 180°	Step hinges for soldering	Screws
33-05104	33-05012	52-05111	99-01811 99-02525 99-04811

Catalogue 2026 | 2027 - Subject to change without prior notice - all measurements in mm

LITELINE NICKEL SILVER - 2.8 mm

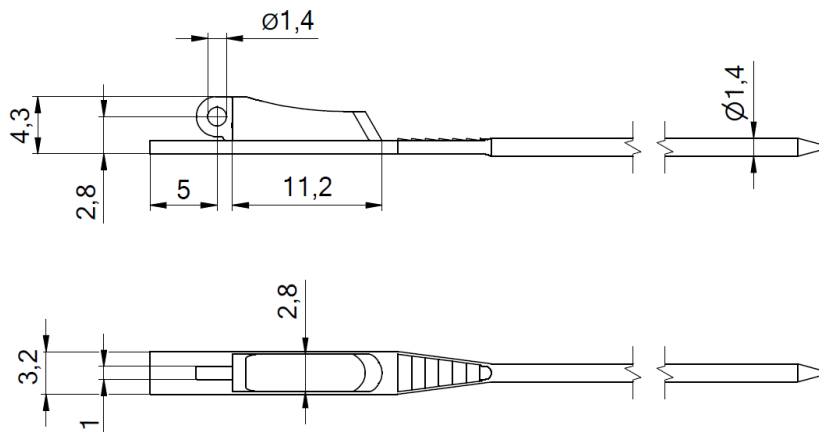
- Nickel silver spring hinge on wire - nickel plated
- Stable stainless steel mechanism already pre-assembled



73-08088.30X

insertion

mechanism not exchangeable



Barreling cap for case 91-20221

Matching parts

Front hinges for plastic frames 90°	Front hinges for plastic frames 180°	Step hinges for soldering	Screws
33-05106	33-05063	52-05153	99-01813 99-02501

Catalogue 2026 | 2027 - Subject to change without prior notice - all measurements in mm

MINI STAINLESS STEEL - 3.3 mm

- 100% stainless steel spring hinge on wire with short case - zero corrosion
- Elegant low construction
- Zero rocking & easy adjustment with flexUno two-barrel construction



MOVIE



patented



patented

Catalogue 2026 | 2027 - Subject to change without prior notice - all measurements in mm

73-44031.50X	insertion	mechanism exchangeable	73-44031.30X	insertion	mechanism not exchangeable

Matching parts

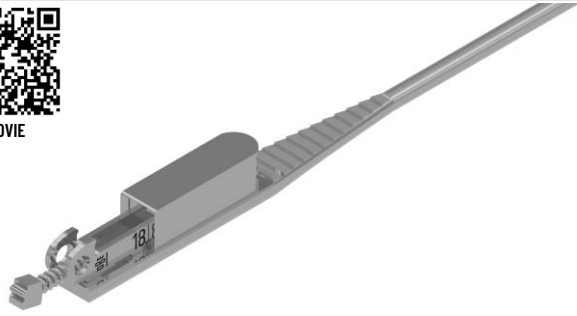
Front hinges for soldering	Front hinges for plastic frames 90°	Front hinges for plastic frames 180°	Step hinges for soldering	Rivet hinges	Screws
52-44131 stainless steel	33-04031 nickel silver 33-44031 stainless steel	33-04131 nickel silver	52-04231 nickel silver	51-04031 Matching rivets: see page 116	99-01764 99-02030 stainless steel

WAFERPLUS NICKEL SILVER - 3.0 mm

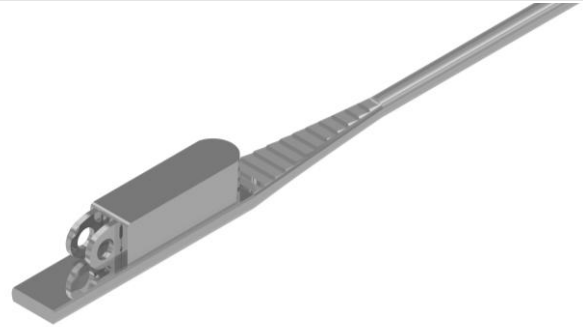
- Round shaped nickel silver spring hinge on wire - nickel plated
- High performance - equipped with extra strong spring
- Zero rocking & easy adjustment with flexUno two-barrel construction



MOVIE



patented



patented

73-05043.50X

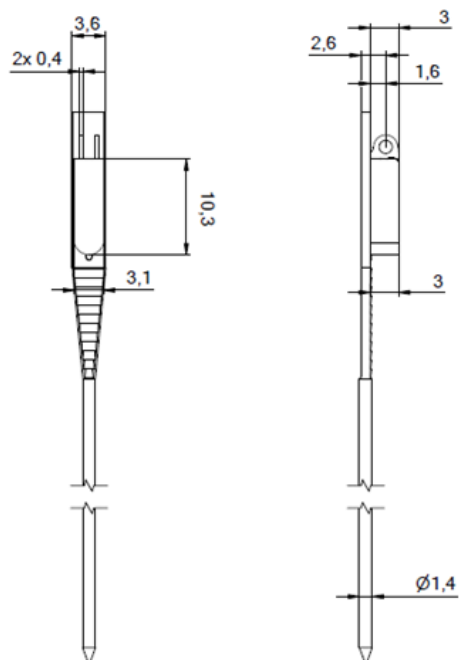
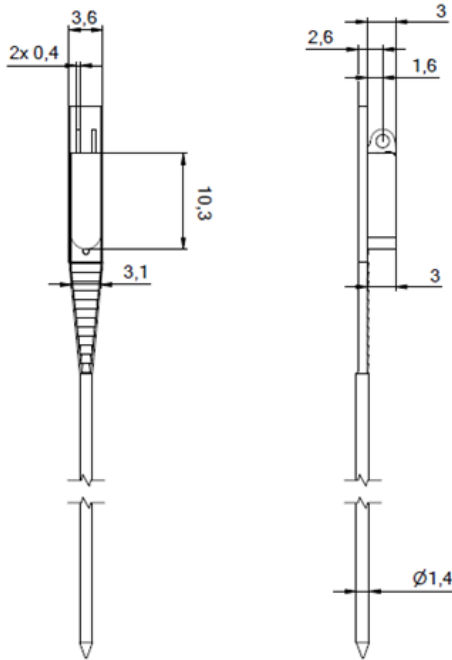
insertion

mechanism
exchangeable

73-05043.30X

insertion

mechanism not
exchangeable



Matching parts

Front hinges for soldering	Front hinges for plastic frames 90°	Front hinges for plastic frames 180°	Step hinges for soldering	Rivet hinges	Screws
52-04263	33-05363 33-04067 33-02363 0°/6° inclination	33-04063	52-05363 52-05463 52-05563	51-05130 0°/6° inclination Matching rivets: see page 116	99-01814 99-02524 99-04814 99-02524.800 self aligning for break off

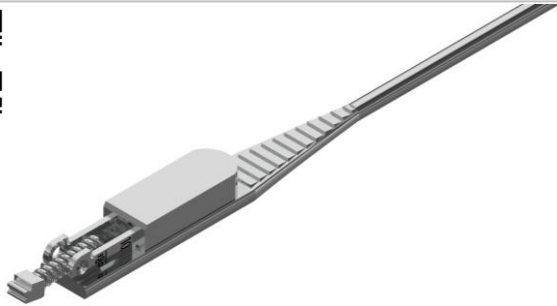
Catalogue 2026 | 2027 - Subject to change without prior notice - all measurements in mm

WAFER NICKEL SILVER - 4.0 mm

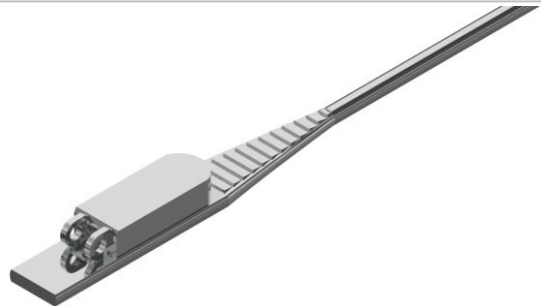
- Round shaped nickel silver spring hinge on wire in low profile - nickel plated
- Elegant low construction
- Zero rocking & easy adjustment with flexUno two-barrel construction



MOVIE



patented



patented

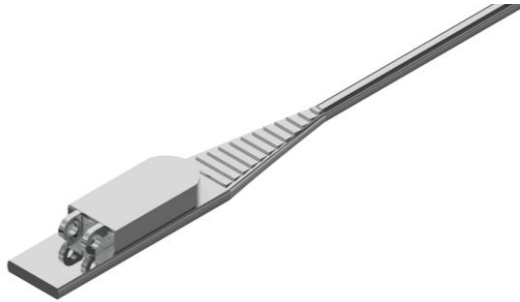
Catalogue 2026 | 2027 - Subject to change without prior notice - all measurements in mm

73-04066.70X	insertion	mechanism exchangeable	73-04066.30X	insertion	mechanism not exchangeable
Barreling cap for case 91-04066			Barreling cap for case 91-04066		

Matching parts				
Front hinges for plastic frames 90°	Front hinges for plastic frames 180°	Step hinges for soldering	Rivet hinges	Hinge screws
33-04066 33-04266 off center 0°/6° inclination	33-04166	52-04166	51-05066 Matching rivets: see page 116	99-01732 99-02036 99-02036.800 self aligning for break off

WAFER NICKEL SILVER - 4.8 mm

- Round shaped nickel silver spring hinge on wire in low profile - nickel plated
- Elegant low construction
- Zero rocking & easy adjustment with flexUno two-barrel construction

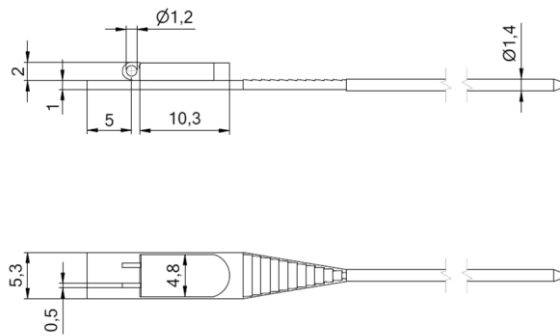


patented

73-04061.40X

insertion

mechanism not exchangeable



Barreling cap for case 91-05061

Matching parts

Front hinges for plastic frames 90°	Front hinges for plastic frames 180°	Step hinges for soldering	Rivet hinges	Hinge screws
<p>33-04061 33-04071 round foot 33-04261 off center 0°/6° inclination</p>	<p>33-04161</p>	<p>52-04161</p>	<p>51-05061 Matching rivets: see page 116</p>	<p>99-02017 99-02017.800 self aligning for break off</p>

Catalogue 2026 | 2027 - Subject to change without prior notice - all measurements in mm

SPIKE NICKEL SILVER - 4.0 mm

- Pointed nickel silver spring hinge on wire in low profile - nickel plated
- Elegant low construction
- Zero rocking & easy adjustment with flexUno two-barrel construction



MOVIE

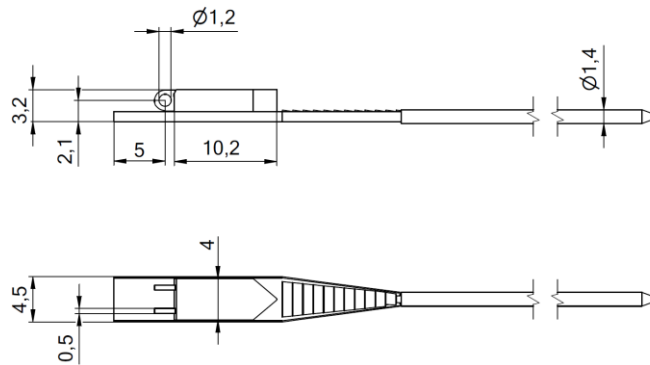


patented

73-04066.75X

insertion

mechanism exchangeable



Barreling cap for case 91-04066

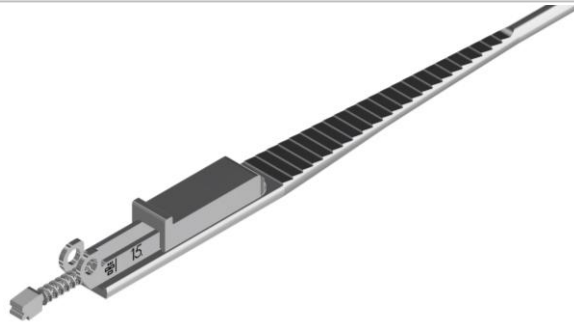
Matching parts

Spike front hinges	Front hinges for plastic frames 90°	Front hinges for plastic frames 180°	Step hinges for soldering	Rivet hinges	Hinge screws
33-04166.050	33-04066 33-04266 off center 0°/6° inclination	33-04166	52-04166	51-05066 Matching rivets: see page 116	99-01732 99-02036 99-02036.800 self aligning for break off

Catalogue 2026 | 2027 - Subject to change without prior notice - all measurements in mm

CACHÉ NICKEL SILVER - 3.0 mm

- Embedded nickel silver spring hinge on wire in low profile - nickel plated
- Super-flat design enables total integration in acetate temples without metal visibility
- Zero rocking & easy adjustment with flexUno two-barrel construction

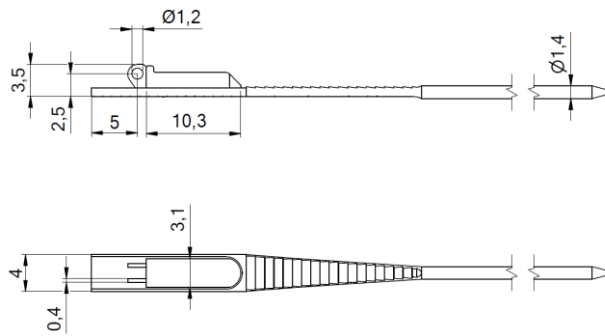


patented

73-07050

insertion

mechanism exchangeable



Matching parts

Front hinges for plastic frames 90°	Front hinges for plastic frames 180°	Step hinges for soldering	Hinge screws
33-04027	33-04028	52-07050	99-02030 99-02032 self aligning 99-02027.800 self aligning for break off

Catalogue 2026 | 2027 - Subject to change without prior notice - all measurements in mm

CACHEW NICKEL SILVER - 2.5 mm

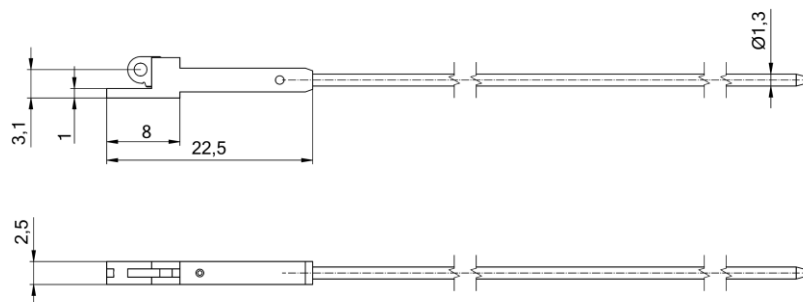
- Totally hidden spring hinge on wire for long temple tips - nickel plated
- Stable mechanism in stainless steel already pre-assembled
- Safe connection with OBE screw



60-08042.50X

insertion / fixing with screw

mechanism not exchangeable



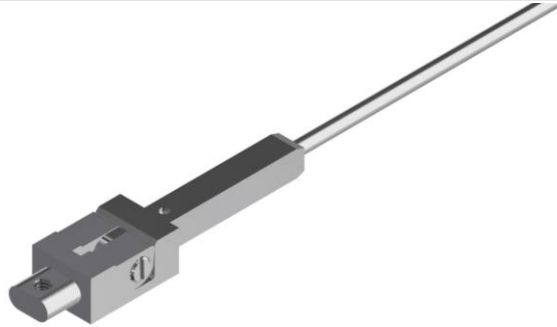
Catalogue 2026 | 2027 - Subject to change without prior notice - all measurements in mm

Matching parts

Front hinges for plastic frames 90°	Front hinges for plastic frames 180°	Step hinges for soldering	Front hinges	Hinge screws	Fixation to temple	Fixation to front
33-04041	33-05016	52-05128	33-02113	99-01811 99-02525	99-02027	99-01375

CUBEFLEX NICKEL SILVER - 6.0 mm

- Stylish spring hinge for long temple tips - nickel plated
- Stable mechanism in stainless steel already pre-assembled
- Delivered assembled with endpiece

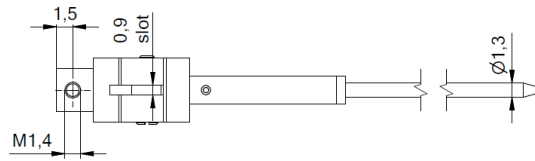
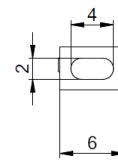
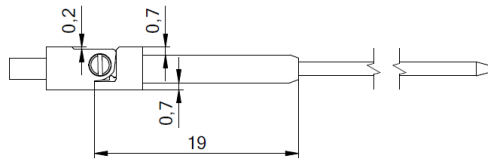


60-08050.69Z.XY

insertion / fixing with screw

mechanism not exchangeable

Catalogue 2026 | 2027 - Subject to change without prior notice - all measurements in mm





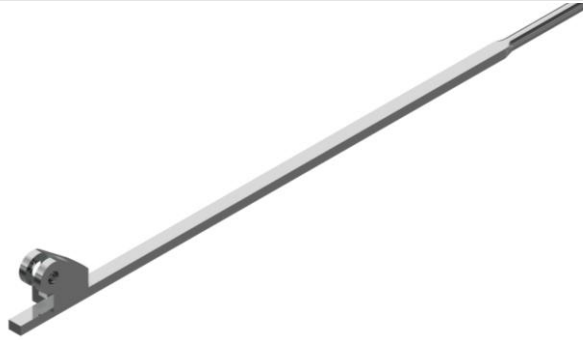
ACETATE & COMBINATION FRAMES

NON-FLEX HINGES FOR INSERTING / RIVETING

	PRODUCT	ARTICLE NO.	PAGE
 <p>HINGES ON WIRE</p>	PINOX	70-48716	28
	HOW 1	70-07621	29
	HOW 2	70-07759	30
	HOW 3	70-07761	31
	NEATY	70-07793	32
	FINNY	70-07765	33
	VELVET	70-07812	34
	DRAKE	70-07826	35
	RUG	70-07794	36
	XXL	70-01037	37
	WIRES	VARIOUS	38
	 <p>RIVET HINGES</p>	STANDARD RIVET HINGES	VARIOUS
DIAMOND		51-05126.90X	40 - 41
LIPED		51-05079.103	40 - 41
 <p>FRONT HINGES</p>	ISH²	33-04214	45
	ISH	VARIOUS	46
	DESIGN 90°	33-04244 33-04243 33-04239	47

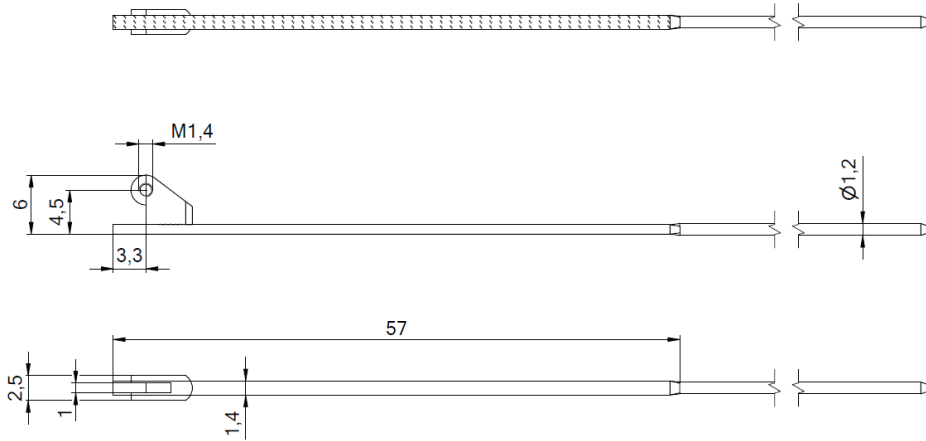
PINOX STAINLESS STEEL - 2.5 mm

- Super slim regular hinge on wire in stainless steel
- Minimum width with plastic 2.8 mm
- Smooth & safe movement with Space Screws

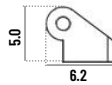


70-48716

insertion



Available separately



52-09080

Matching parts

Front hinges for soldering	Front hinges for welding	Front hinges for plastic frames 90°	Front hinges for plastic frames 180°	Rivet hinges	Screws
51-04405	50-04448	33-04553 33-04559 0°/6° inclination	33-01870	51-05009 51-05007 0°/6° inclination Matching rivets: see page 116	99-05310.600 99-02310.600

Catalogue 2026 | 2027 - Subject to change without prior notice - all measurements in mm

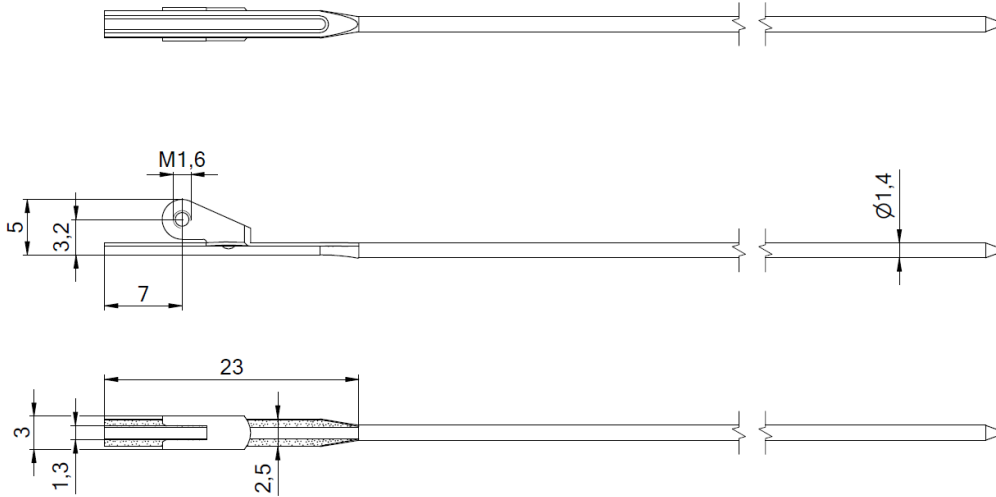
HOW 1 NICKEL SILVER - 3.0 mm

- Made from nickel silver - nickel plated
- Minimum width with plastic 5.0 mm
- Smooth & safe movement with Space Screws or ISH technology

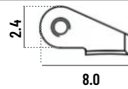


70-07621

insertion



Available separately



42-03984

Matching parts

Safety hinges for plastic frames 90°	Safety hinges for plastic frames 180°	Front hinges for plastic frames 90°	Step hinges for soldering	Rivet hinges	Screws
<p>ISH</p>	<p>ISH</p>				<p>Safety</p>
<p>33-04215 33-04211 round foot</p>	<p>33-04538</p>	<p>33-04221</p>	<p>52-04255</p>	<p>51-05039 Matching rivets: see page 116</p>	<p>99-01723 for safety hinges 99-01458 for safety hinges 99-01523 for standard hinges</p>

Catalogue 2026 | 2027 - Subject to change without prior notice - all measurements in mm

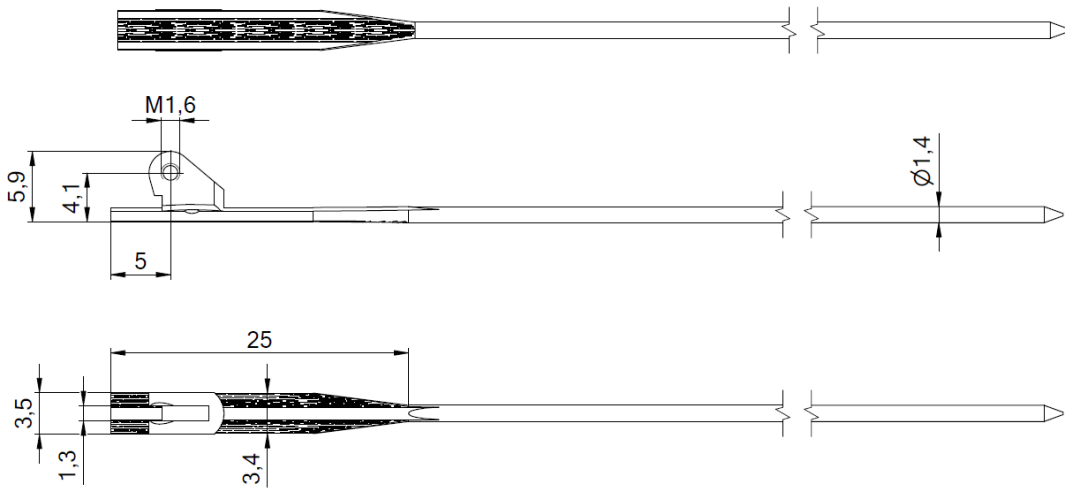
HOW 2 NICKEL SILVER - 3.5 mm

- Made from nickel silver - nickel plated
- Minimum width with plastic 5.5 mm
- Smooth & safe movement with ISH technology

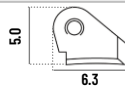


70-07759

insertion



Available separately



42-02459.000

Matching parts

Safety hinges for plastic frames 90°	Safety hinges for plastic frames 180°	Front hinges for plastic frames 90°	Step hinges for soldering	Rivet hinges	Screws
<p>33-04215 33-04211 round foot</p>	<p>33-04538</p>	<p>33-04221</p>	<p>52-04255</p>	<p>51-05039 Matching rivets: see page 116</p>	<p>99-01357</p>

Catalogue 2026 | 2027 - Subject to change without prior notice - all measurements in mm

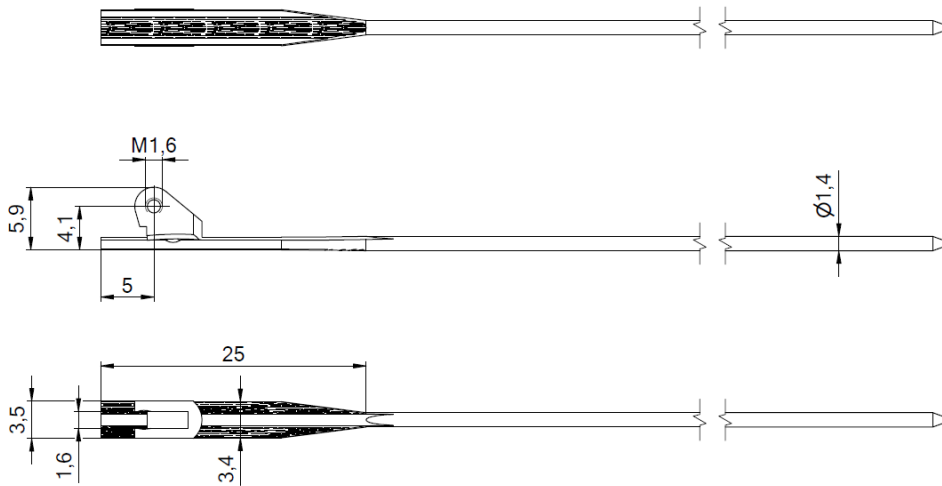
HOW 3 NICKEL SILVER - 3.5 mm

- Made from nickel silver - nickel plated
- Minimum width with plastic 5.5 mm
- Smooth & safe movement with ISH technology

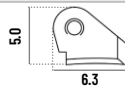


70-07761

insertion



Available separately



42-02459.160

Matching parts

Safety hinges for plastic frames 90°	Safety hinges for plastic frames 180°	Step hinge for soldering	Rivet hinges	Screws
<p>32-02483 33-04271</p>	<p>33-04537 33-04540</p>	<p>52-04256</p>	<p>51-05038 Matching rivets: see page 116</p>	<p>99-01357</p>

Catalogue 2026 | 2027 - Subject to change without prior notice - all measurements in mm

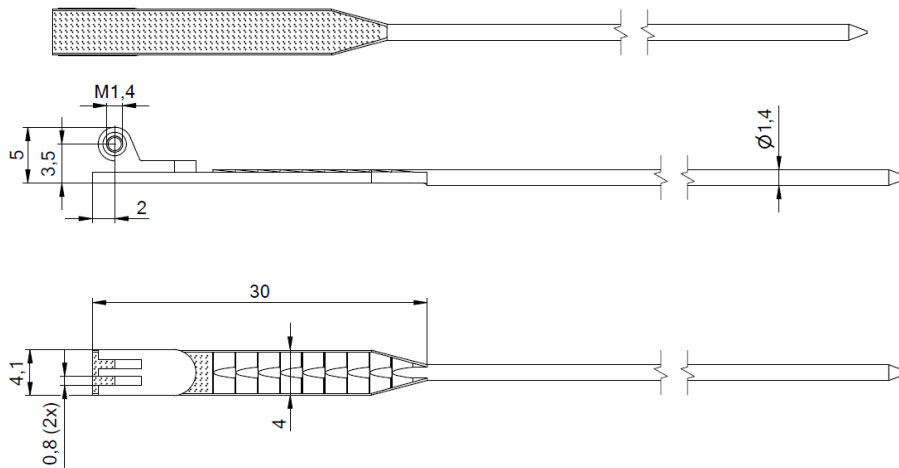
NEATY NICKEL SILVER – 4.0 mm

- Robust 5-barrel construction made from nickel silver – nickel plated
- Wire hinge in rivet hinge style
- Minimum width with plastic 6.0 mm
- Smooth & safe movement with Space Screws

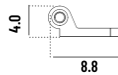


70-07793

insertion



Available separately



42-02029

Matching parts

Front hinges for soldering	Front hinges for plastic frames 90°	Front hinges for plastic frames 180°	Rivet hinges	Rivet hinges	Screws
					<p>Space</p>
51-04421	33-04555 33-04566 33-04558 0°/6° inclination	33-05113	51-05000.903.03 Matching rivets: see page 116	51-05024 Matching rivets: see page 116	99-05379.600 99-02379.600

Catalogue 2026 | 2027 - Subject to change without prior notice - all measurements in mm

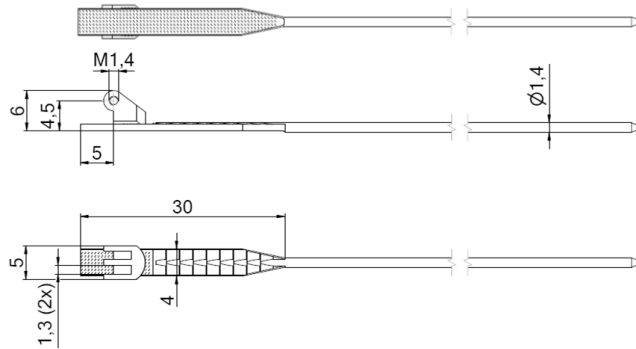
FINNY NICKEL SILVER - 5.0 mm

- Robust 5-barrel construction made from nickel silver - nickel plated
- Minimum width with plastic 7.0 mm
- Smooth & safe movement with Space Screws or ISH technology

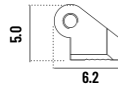


70-07765

insertion



Available separately



42-02465

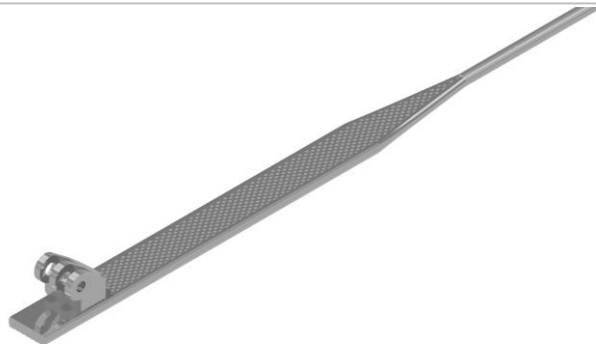
Matching parts

Safety hinges for plastic frames 90°	Front hinges for plastic frames 90°	Front hinges for plastic frames 180°	Rivet hinges	Screws
33-04214	33-04217 33-04232 33-04332 Design 90° see page 47	33-04234	51-05028 51-05094 Matching rivets: see page 116	99-05334.600 99-02334.600 99-47140 (for 33-04214) 99-44175 (for 33-04214)

Catalogue 2026 | 2027 - Subject to change without prior notice - all measurements in mm

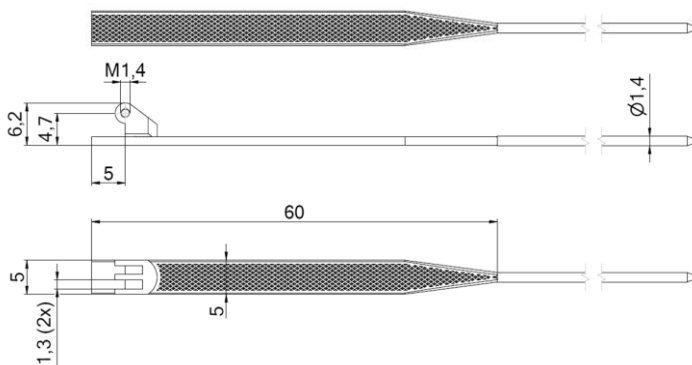
VELVET NICKEL SILVER - 5.0 mm

- Design hinge on wire with pearl pattern on both sides
- Robust 5-barrel construction made from nickel silver - nickel plated
- Minimum width with plastic 7.0 mm
- Smooth & safe movement with Space Screws or ISH technology

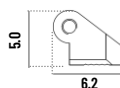


70-07812

insertion



Available separately



42-02465

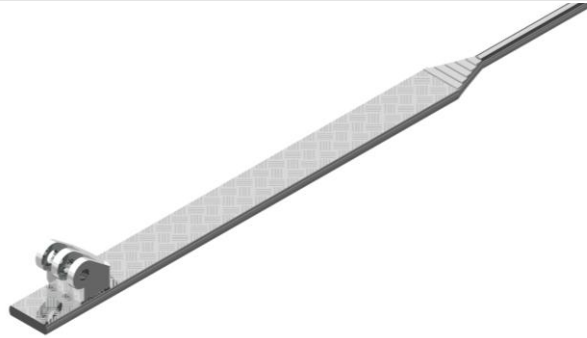
Matching parts

Safety hinges for plastic frames 90°	Front hinges for plastic frames 90°	Front hinges for plastic frames 180°	Rivet hinges	Screws
33-04214	33-04217 33-04232 33-04332 Design 90° see page 47	33-04234	51-05028 51-05094 Matching rivets: see page 116	99-05334.600 99-02334.600 99-47140 (for 33-04214) 99-44175 (for 33-04214)

Catalogue 2026 | 2027 - Subject to change without prior notice - all measurements in mm

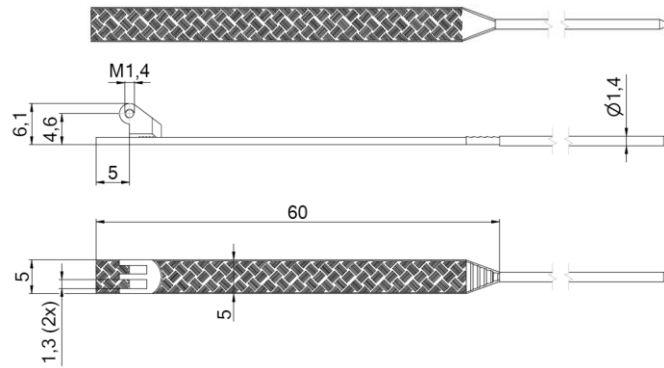
RUG NICKEL SILVER - 5.0 mm

- Design hinge on wire with textile design
- Robust 5-barrel construction made from nickel silver - nickel plated
- Minimum width with plastic 7.0 mm
- Perfect articulation with Space Screws or ISH technology

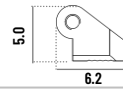


70-07794

insertion



Available separately



42-02465

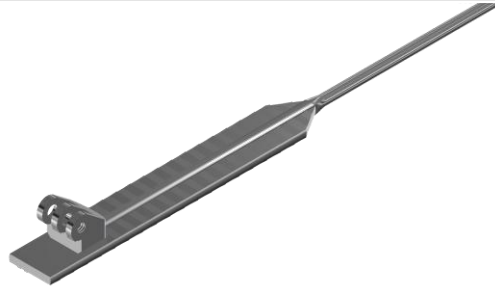
Matching parts

Safety hinges for plastic frames 90°	Front hinges for plastic frames 90°	Front hinges for plastic frames 180°	Rivet hinges	Screws
33-04214	33-04217 33-04232 33-04332 Design 90° see page 47	33-04234	51-05028 51-05094 Matching rivets: see page 116	99-05334.600 99-02334.600 99-47140 (for 33-04214) 99-44175 (for 33-04214)

Catalogue 2026 | 2027 - Subject to change without prior notice - all measurements in mm

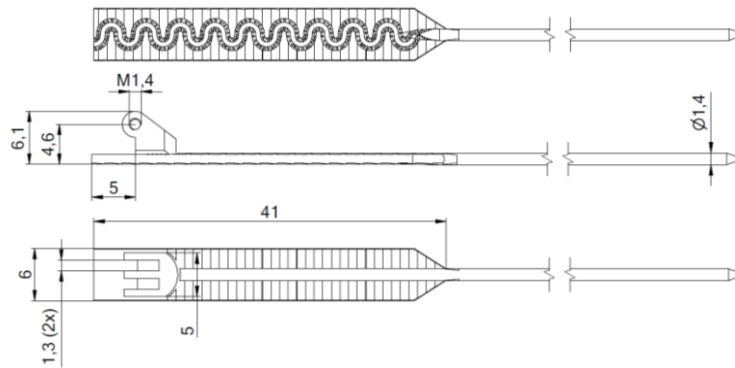
DRAKE NICKEL SILVER - 6.0 mm

- Design hinge on wire with wave design
- Robust 5-barrel construction made from nickel silver - nickel plated
- Minimum width with plastic 7.0 mm
- Smooth & safe movement with Space Screws or ISH technology

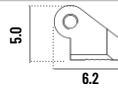


70-07826

insertion



Available separately



42-02465

Matching parts

Safety hinges for plastic frames 90°	Front hinges for plastic frames 90°	Front hinges for plastic frames 180°	Rivet hinges	Screws
33-04214	33-04217 33-04232 33-04332 Design 90° see page 47	33-04234	51-05028 51-05094 Matching rivets: see page 116	99-05334.600 99-02334.600 99-47140 (for 33-04214) 99-44175 (for 33-04214)

Catalogue 2026 | 2027 - Subject to change without prior notice - all measurements in mm

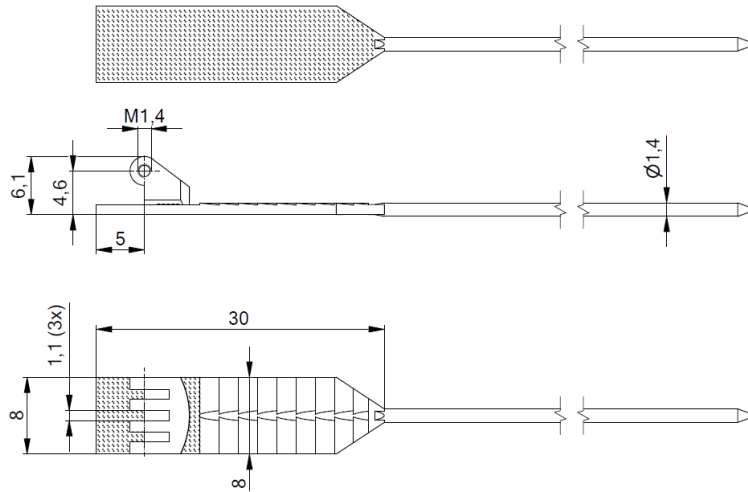
XXL NICKEL SILVER – 8.0 mm

- Extra wide regular hinge on wire in nickel silver – nickel plated
- 7-barrel-construction
- Minimum width with plastic 10.0 mm
- Smooth & safe movement with Space Screws

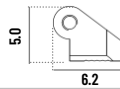


70-01037

insertion



Available separately



42-01036

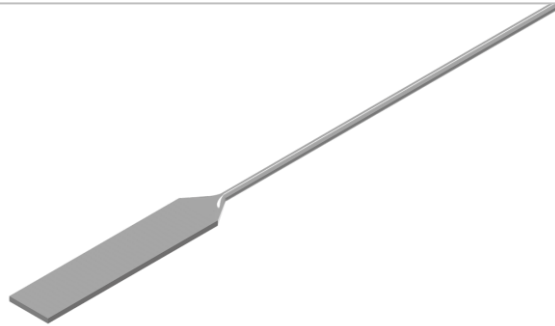
Matching parts

Front hinges for plastic frames 90°	Front hinges for plastic frames 180°	Rivet hinges	Screws
<p>33-04233 33-04272 0°/6° inclination</p>	<p>33-05147</p>	<p>51-05083 0°/6° inclination</p> <p>Matching rivets: see page 116</p>	<p>99-05380.600 99-02380.600</p>

Catalogue 2026 | 2027 - Subject to change without prior notice - all measurements in mm

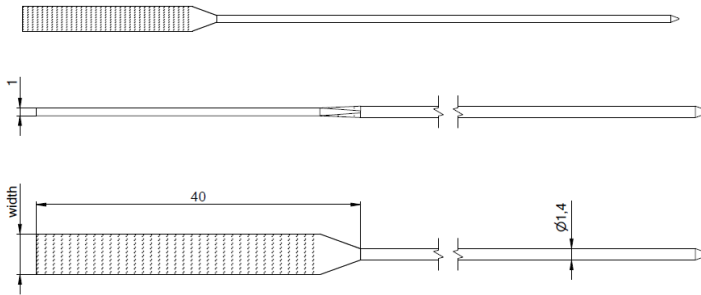
WIRES

- Wires without hinges
- Not nickel plated
- Different widths available
- Further designs upon request



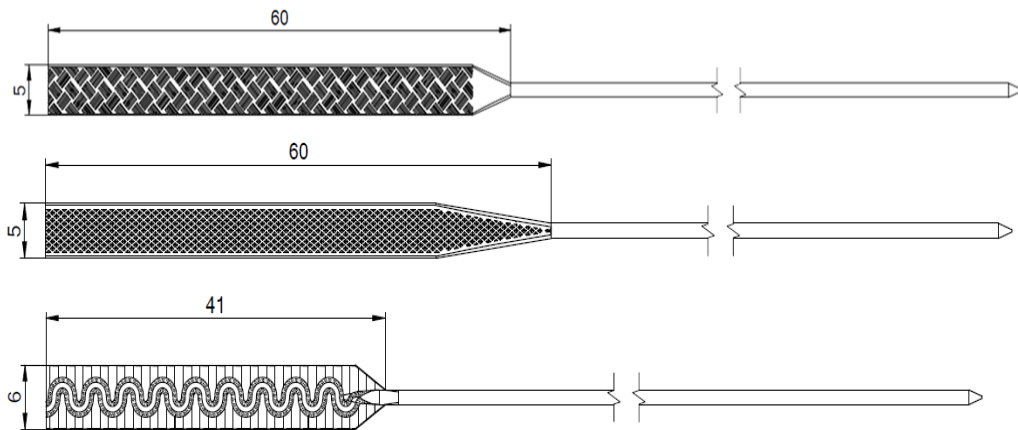
STANDARD WIRES 18-01034 - 3.5 mm | 18-01035 - 5.0 mm | 18-01040 - 8.0 mm

Material
nickel silver



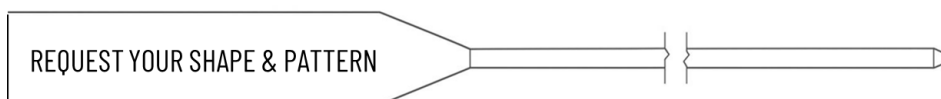
DESIGN COLLECTION 18-01039 5.0 mm | 18-03282 5.0 mm | 18-03301 6.0 mm

Material
nickel silver



CUSTOMIER DESIGN

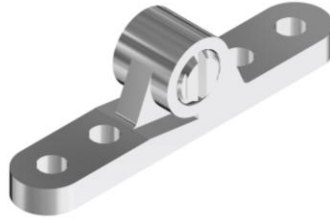
Material
To be defined



Catalogue 2026 | 2027 - Subject to change without prior notice - all measurements in mm

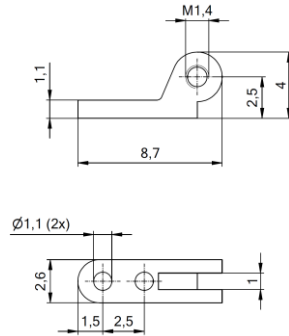
STANDARD RIVET HINGES NICKEL SILVER - 2.6 mm

- Made from nickel silver - nickel plated
- 3-barrel construction
- Smooth & safe movement with Space Screws
- Rivet hole $\varnothing 1.2$ on request



51-05009.903.01/02

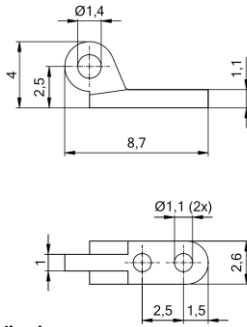
riveting



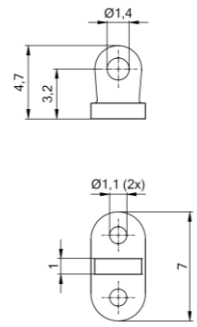
51-05009.903.03

51-05007

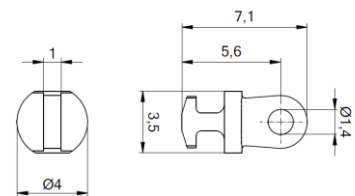
33-04553



0°/6° inclination



0°/6° inclination



0°/6° inclination

Matching parts

Screws

Rivets



Space



99-05310.600

99-02310.600

T1-20261 - 10.0 mm
 T1-20247 - 8.0 mm
 T1-20318 - 5.8 mm
 T1-20251 - 5.4 mm
 T1-20245 - 4.2 mm
 T1-20246 - 3.0 mm
 T1-20260 - double rivet

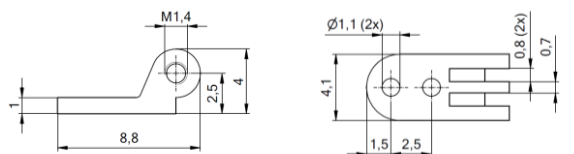
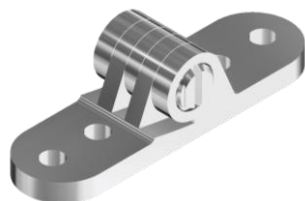
Catalogue 2026 | 2027 - Subject to change without prior notice - all measurements in mm

STANDARD RIVET HINGES NICKEL SILVER - 4.1 mm

- Made from nickel silver - nickel plated
- 5-barrel construction
- Smooth & safe movement with Space Screws
- Rivet hole $\varnothing 1.2$ on request

51-05000.903.01/02

riveting



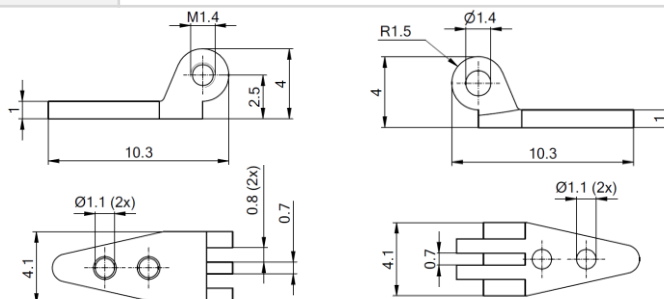
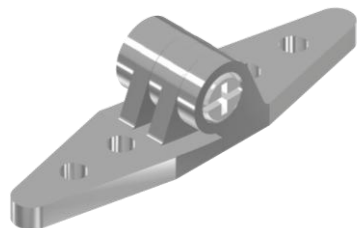
0°/6° inclination

DIAMOND NICKEL SILVER - 4.1 mm

- Diamond shaped riveting hinge
- Made from nickel silver - nickel plated
- 5-barrel construction
- Smooth & safe movement with Space Screws
- Also available in 8 mm width - 51-05132 + 51-05133

51-05126.90X.01/02/03

riveting



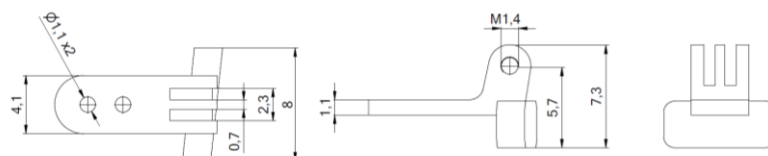
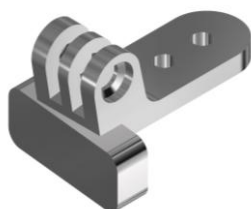
Catalogue 2026 | 2027 - Subject to change without prior notice - all measurements in mm

LIPED NICKEL SILVER - 4.1 mm

- Design rivet temple hinge
- Made from nickel silver - nickel plated
- 5-barrel construction
- Smooth & safe movement with Space Screws

51-05079.103

riveting



Matching hinges for STANDARD RIVET HINGES, DIAMOND, LIPED

<p>51-05000.903.03 - 0° inclination 51-05068.963.03/04 - 6° inclination</p>	<p>51-05024</p>	<p>33-04555</p>	<p>33-04566</p>
	<p>0°/6° inclination</p>	<p>0°/6° inclination</p>	<p>0°/6° inclination</p>
<p>33-05113</p>	<p>51-04421</p>	<p>33-04558</p>	<p>51-05126.90X.03</p>

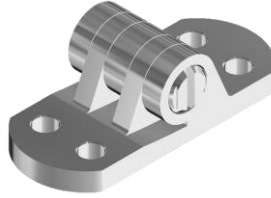
Catalogue 2026 | 2027 - Subject to change without prior notice - all measurements in mm

Matching parts

Screws	Rivets
<p>Space</p>	
<p>99-05379.600 99-02379.600 99-04327.600</p>	<p>11-20261 - 10.0 mm 11-20247 - 8.0 mm 11-20318 - 5.8 mm 11-20251 - 5.4 mm 11-20245 - 4.2 mm 11-20246 - 3.0 mm 11-20260 - double rivet</p>

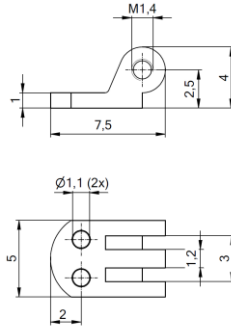
STANDARD RIVET HINGES NICKEL SILVER - 5.0 mm

- Made from nickel silver - nickel plated
- 5-barrel construction
- Smooth & safe movement with Space Screws
- Rivet hole $\varnothing 1.2$ on request



51-05011.903.01/02

riveting

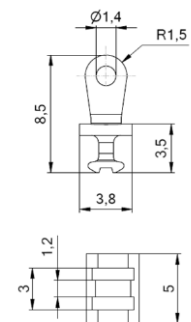
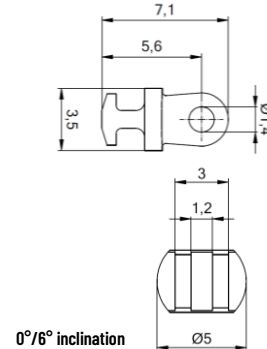
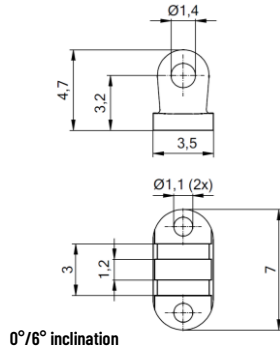
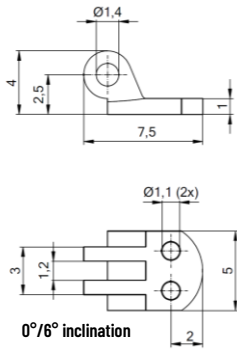


51-05011.903.03

51-05019

33-04554

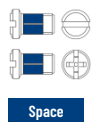
33-04562



Matching parts

Screws

Rivets



99-05334.600
99-02334.600

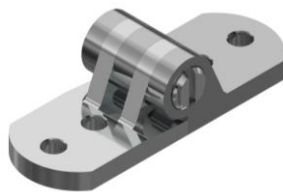


T1-20261 - 10.0 mm
T1-20247 - 8.0 mm
T1-20318 - 5.8 mm
T1-20251 - 5.4 mm
T1-20245 - 4.2 mm
T1-20246 - 3.0 mm
T1-20260 - double rivet

Catalogue 2026 | 2027 - Subject to change without prior notice - all measurements in mm

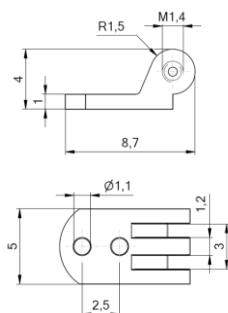
STANDARD RIVET HINGES NICKEL SILVER - 5.0 mm

- Made from nickel silver - nickel plated
- 5-barrel construction
- Smooth & safe movement with Space Screws
- Rivet hole $\varnothing 1.2$ on request



51-09030.903.01/02

riveting



0°/6° inclination

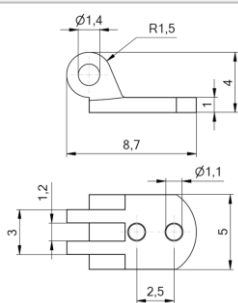
51-09030.903.03

51-05019

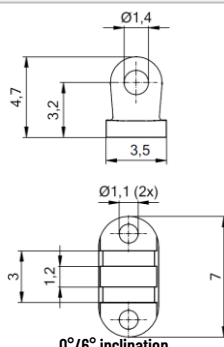
33-04554

33-04562

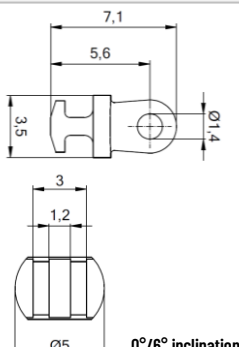
33-04561



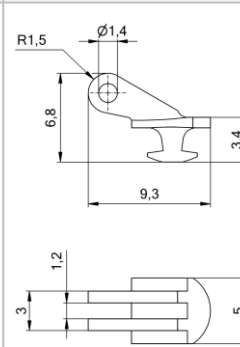
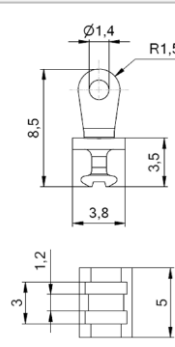
0°/6° inclination



0°/6° inclination



0°/6° inclination



Matching parts

Screws

Rivets



Space



99-05334.600
99-02334.600

11-20261 - 10.0 mm
11-20247 - 8.0 mm
11-20318 - 5.8 mm
11-20251 - 5.4 mm
11-20245 - 4.2 mm
11-20246 - 3.0 mm
11-20260 - double rivet

Catalogue 2026 | 2027 - Subject to change without prior notice - all measurements in mm

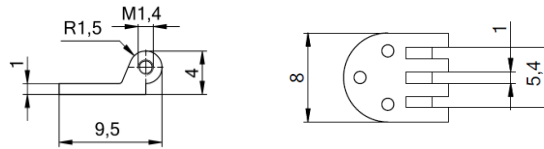
STANDARD RIVET HINGES NICKEL SILVER - 8.0 mm

- Made from nickel silver - nickel plated
- 7-barrel construction
- Smooth & safe movement with Space Screws
- Rivet hole $\varnothing 1.2$ on request



51-05082

riveting

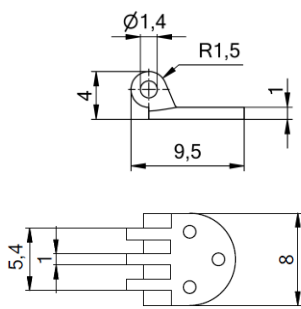


0°/6° inclination

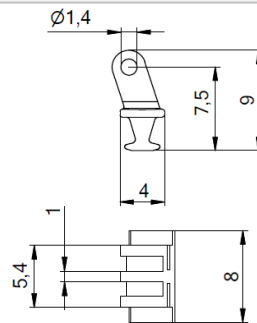
51-05083

33-04233

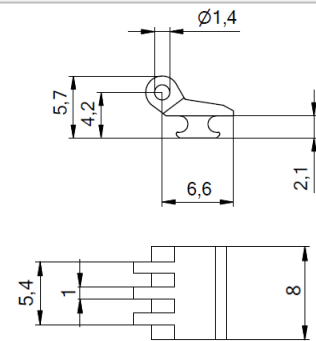
33-05147



0°/6° inclination



0°/6° inclination



Matching parts

Screws

Rivets



99-05380.600
99-02380.600

11-20261 - 10.0 mm
11-20247 - 8.0 mm
11-20318 - 5.8 mm
11-20251 - 5.4 mm
11-20245 - 4.2 mm
11-20246 - 3.0 mm

Catalogue 2026 | 2027 - Subject to change without prior notice - all measurements in mm

ISH² NICKEL SILVER

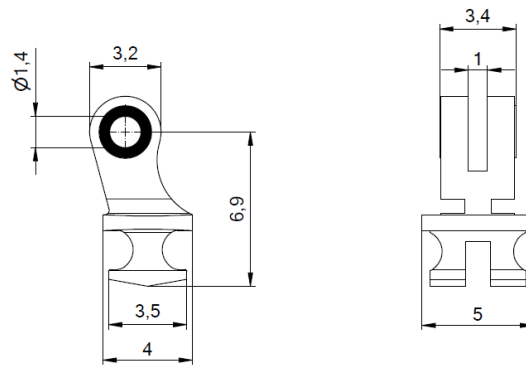
- 2-barrel plastic injected front hinge
- Made from nickel silver – nickel plated
- Provides consistent & smooth temple movement



patent pending

33-04214

insertion

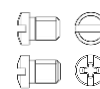
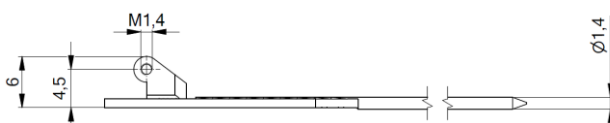


0°/6° inclination

Matching parts

Hinges on wire

Screws



70-07765
70-07794
70-07812
70-07826

99-47140
99-44175

Catalogue 2026 | 2027 - Subject to change without prior notice - all measurements in mm

ISH – INJECTION SAFETY HINGES NICKEL SILVER

- 1-barrel plastic injected front hinge
- Made from nickel silver – nickel plated
- Provides consistent & smooth temple movement



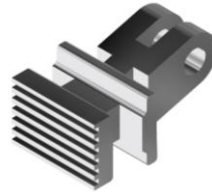
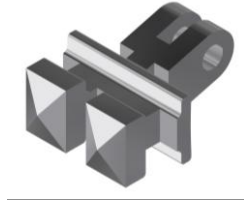
90°	insertion	180°	insertion

Front hinges 90° - 0°/6° inclination						Front hinges 180° - 0°/6° inclination					
Art. No.	A	B	C	D	E	Art. No.	A	B	C	D	E
33-04215	1.3	2.8	6.5	4.0	3.0	33-04538	1.3	3.5	4.9	8.8	4.2
33-04211	1.3	4.5	6.5	4.0	3.0	33-04537	1.6	4.5	4.9	8.8	4.2
33-04271	1.6	4.5	6.5	4.0	3.0						
32-02483	1.6	7.0	6.7	4.0	3.0						

Catalogue 2026 | 2027 – Subject to change without prior notice – all measurements in mm

DESIGN 90° NICKEL SILVER

- Customised design 90° front hinge
- Made in nickel silver - nickel plated
- Optionally with injected plastic

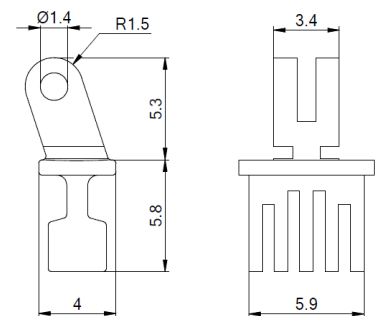
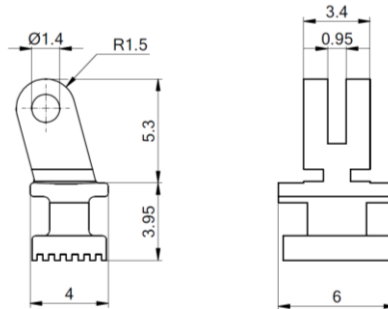
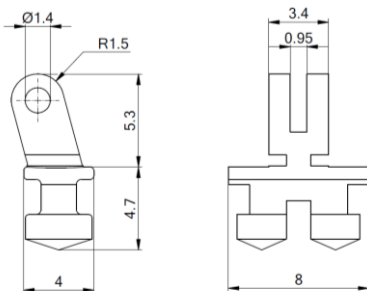


Insertion

33-04244

33-04243

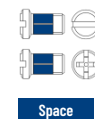
33-04239



Matching parts

Hinges on wire

Screws



70-07765
70-07794
70-07812
70-07826




99-05334.600
99-02334.600

Catalogue 2026 | 2027 - Subject to change without prior notice - all measurements in mm



METAL & COMBINATION FRAMES

FLEX HINGES FOR SOLDERING & LASER WELDING

	PRODUCT	ARTICLE NO.	PAGE
<p>CLASSIC TWO-BARREL FLEX</p> 	<u>FLEXUNO NICKEL SILVER</u>	60-04062.XXX 60-04063.XXX 60-04064.XXX	50 51 52
	<u>FLEXUNO STAINLESS STEEL</u>	60-44062 60-44063	53 54
<p>CLASSIC ONE-BARREL FLEX</p> 	<u>LITELINE</u>	60-08080 60-08084 60-08088	55 56 57
<p>DESIGN TWO-BARREL FLEX</p> 	<u>MINI</u>	60-44031.XXX	58
	<u>WAFERPLUS</u>	60-05043	59
	<u>WAFER</u>	60-04066 60-04061	60 61
	<u>SPIKE</u>	60-04066.050	62

FLEXUNO NICKEL SILVER - 2.7 mm

- Elegant & short nickel silver spring hinge
- Stable U-shaped click-in mechanism in stainless steel
- Zero rocking & easy adjustment with flexUno two-barrel construction



MOVIE

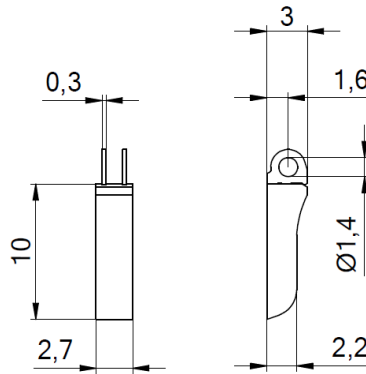


patented

60-04062.XXX

soldering

mechanism exchangeable

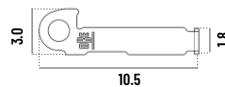
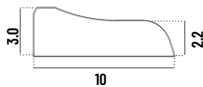


Barreling cap for case 91-20219

Case

Side hinge

Spring mechanism



17-04062

44-44062

60-04063.030

Matching parts

Front hinges for soldering

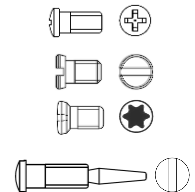
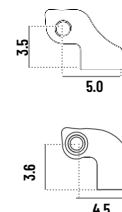
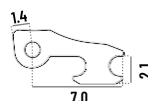
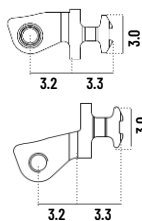
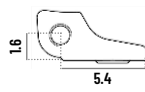
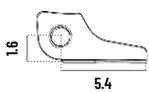
Front hinges for welding

Front hinges for plastic frames 90°

Front hinges for plastic frames 180°

Step hinges for soldering

Screws



52-05069

52-04062

33-05062
33-04262 off center
0°/6° inclination

33-04062

52-05462
52-05262

99-01730
99-02016
99-04724
99-02016.800
self aligning for break off

FLEXUNO NICKEL SILVER - 3.0 mm

- Elegant & short nickel silver spring hinge
- Stable U-shaped click-in mechanism in stainless steel
- Zero rocking & easy adjustment with flexUno two-barrel construction



MOVIE

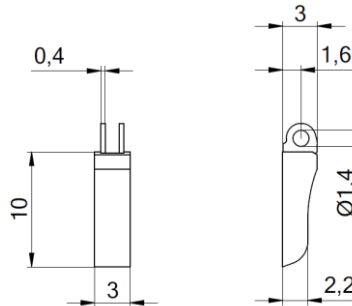


patented

60-04063.XXX

soldering

mechanism exchangeable

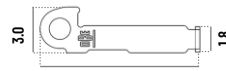
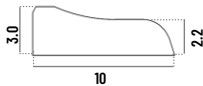


Barreling cap for case 91-20217

Case

Side hinge

Spring mechanism



17-04063

44-44063

60-04063.030

Matching parts

Front hinges for soldering	Front hinges for welding	Front hinges for plastic frames 90°	Front hinges for plastic frames 180°	Step hinges for soldering	Rivet hinges	Screws
<p>52-05067 52-04263</p>	<p>52-04063</p>	<p>33-05363 33-04163 off center 33-04067 33-02363 0°/6° inclination</p>	<p>33-04063</p>	<p>52-05363 52-05463 52-05563</p>	<p>51-05130 0°/6° inclination Matching rivets: see page 116</p>	<p>99-01814 99-02524 99-04814 99-02524.800 self aligning for break off</p>

FLEXUNO NICKEL SILVER - 4.3 mm

- Elegant & short nickel silver spring hinge
- Stable U-shaped click-in mechanism in stainless steel
- Zero rocking & easy adjustment with flexUno two-barrel construction



MOVIE

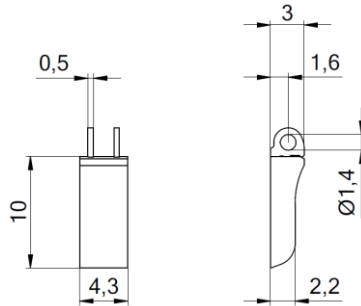


patented

60-04064.XXX

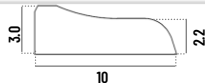
soldering

mechanism exchangeable



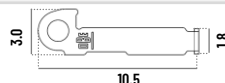
Barreling cap for case 91-20212

Case



17-04064

Side hinge



44-44064

Spring mechanism



60-04064.050

Matching parts

Front hinges for soldering	Front hinges for welding	Front hinges for plastic frames 90°	Front hinges for plastic frames 180°	Step hinges for soldering	Rivet hinges	Screws
<p>52-05064 52-04264</p>	<p>52-04064</p>	<p>33-05164 33-04164 off center 33-02364 0°/6° inclination</p>	<p>33-04064</p>	<p>52-05164 52-05264</p>	<p>51-05129 0°/6° inclination Matching rivets: see page 116</p>	<p>99-01816 99-02503 99-04816 99-02503.800 self aligning for break off 99-02591 self aligning</p>

Catalogue 2026 | 2027 - Subject to change without prior notice - all measurements in mm

FLEXUNO STAINLESS STEEL - 2.7 mm

- 100% stainless steel spring hinge - zero corrosion
- Stable U-shaped mechanism already pre-assembled
- Zero rocking & easy adjustment with flexUno two-barrel construction
- All matching parts made from stainless steel



MOVIE

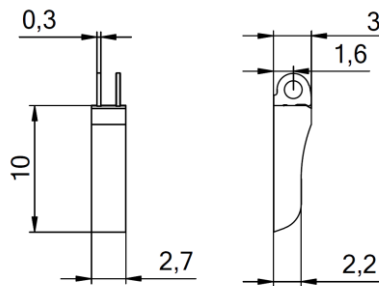


patented

60-44062

soldering or laser welding

mechanism exchangeable

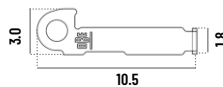
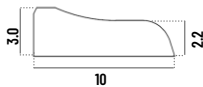


Barreling cap for case 91-20219

Case

Side hinge

Spring mechanism



17-44062

44-44062

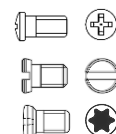
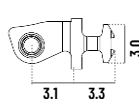
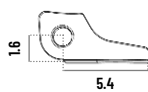
60-04063.030

Stainless steel matching parts

Front hinges
for soldering

Front hinges
for plastic frames 90°

Screws



52-45062

33-44162

99-01730
99-02016
99-04724

Catalogue 2026 | 2027 - Subject to change without prior notice - all measurements in mm

FLEXUNO STAINLESS STEEL - 3.0 mm

- 100% stainless steel spring hinge - zero corrosion
- Stable U-shaped mechanism already pre-assembled
- Zero rocking & easy adjustment with flexUno two-barrel construction
- All matching parts made from stainless steel

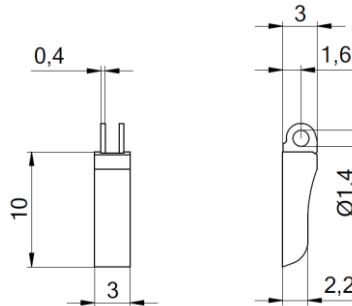


MOVIE



patented

60-44063	soldering or laser welding	mechanism exchangeable
----------	----------------------------	------------------------



Barreling cap for case 91-20217

Case	Side hinge	Spring mechanism
 17-44063	 44-44063	 60-04063.030

Stainless steel matching parts

Front hinges for soldering	Front hinges for plastic frames 90°	Screws
 52-45063	 33-44163	 99-01814 99-02524 99-04814

Catalogue 2026 | 2027 - Subject to change without prior notice - all measurements in mm

LITELINE NICKEL SILVER - 2.0 mm

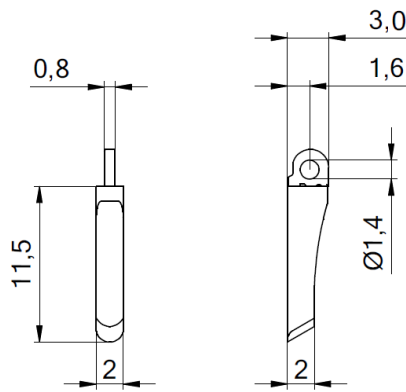
- Nickel silver spring hinge with closed bottom
- Easy click-in mechanism in stainless steel



60-08080

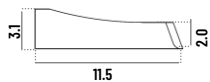
soldering

mechanism not exchangeable



Barreling cap for case 91-20222

Case



17-08080

Spring mechanism



60-45001.220

Matching parts

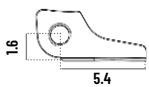
Front hinges
for soldering

Front hinges
for plastic frames 90°

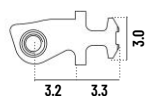
Front hinges
for plastic frames 180°

Step hinges
for soldering

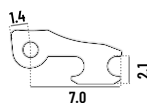
Screws



52-05075



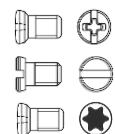
33-05105



33-05010



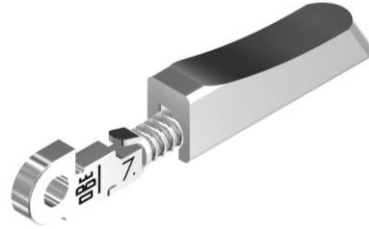
52-05112



99-01803
99-02530
99-04803

LITELINE NICKEL SILVER - 2.4 mm

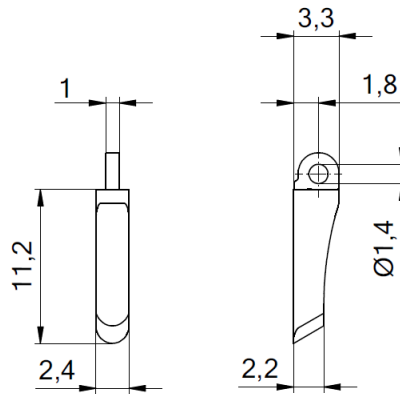
- Nickel silver spring hinge with closed bottom
- Easy click-in mechanism in stainless steel



60-08084

soldering

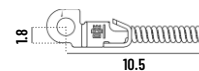
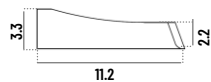
mechanism not exchangeable



Barreling cap for case 91-20201

Case

Spring mechanism



17-08084

60-45002.130

Matching parts

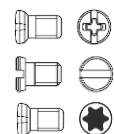
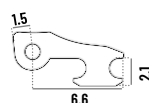
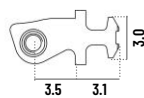
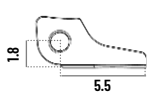
Front hinges
for soldering

Front hinges
for plastic frames 90°

Front hinges
for plastic frames 180°

Step hinges
for soldering

Screws



52-05097

33-05104

33-05012

52-05111

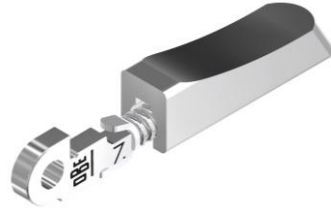
99-01811

99-02525

99-04811

LITELINE NICKEL SILVER - 2.8 mm

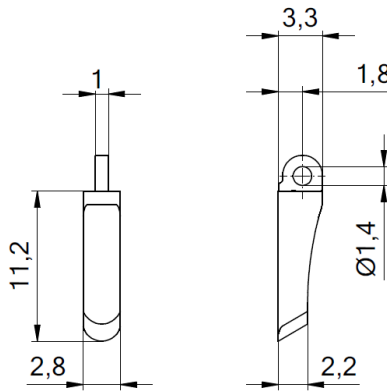
- Nickel silver spring hinge with closed bottom
- Easy click-in mechanism in stainless steel



60-08088

soldering

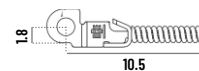
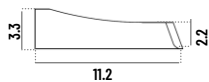
mechanism not exchangeable



Barreling cap for case 91-20221

Case

Spring mechanism



17-08088

60-45002.130

Matching parts

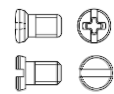
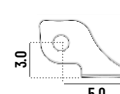
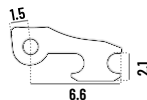
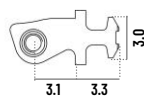
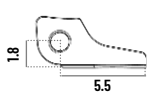
Front hinges
for soldering

Front hinges
for plastic frames 90°

Front hinges
for plastic frames 180°

Step hinges
for soldering

Screws



52-05194

33-05106

33-05063

52-05153

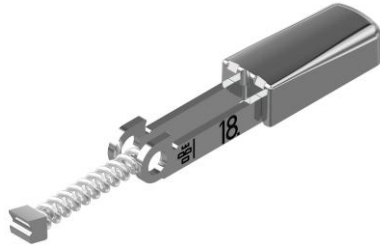
99-01813
99-02501

MINI STAINLESS STEEL - 3.3 mm

- 100% stainless steel spring hinge with short case - zero corrosion
- Elegant low construction
- Zero rocking & easy adjustment with flexUno two-barrel construction



MOVIE



patented



patented

60-44031.XXX	soldering or laser welding	mechanism exchangeable	60-44031.200	only laser welding	mechanism not exchangeable
Case	Side hinge	Spring mechanism			
17-44031	44-44031	60-04031			

Matching parts

Front hinges for soldering	Front hinges for laser welding	Front hinges for plastic frames 90°	Front hinges for plastic frames 180°	Step hinges for soldering	Rivet hinges	Screws
52-04131 nickel silver 52-44131 stainless steel	52-45031 stainless steel	33-04031 nickel silver 33-44031 stainless steel	33-04131 nickel silver	52-04231 nickel silver	51-04031 Matching rivets: see page 116	99-01764 99-02030 stainless steel

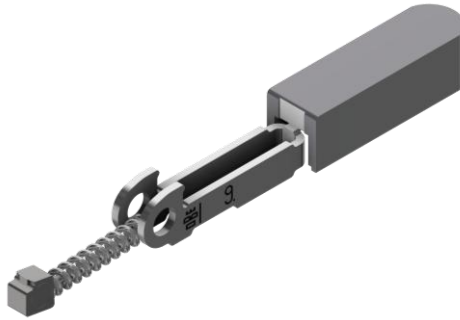
Catalogue 2026 | 2027 - Subject to change without prior notice - all measurements in mm

WAFERPLUS NICKEL SILVER - 3.0 mm

- Round shaped nickel silver spring hinge
- High performance - equipped with extra strong spring
- Zero rocking & easy adjustment with flexUno two-barrel construction



MOVIE

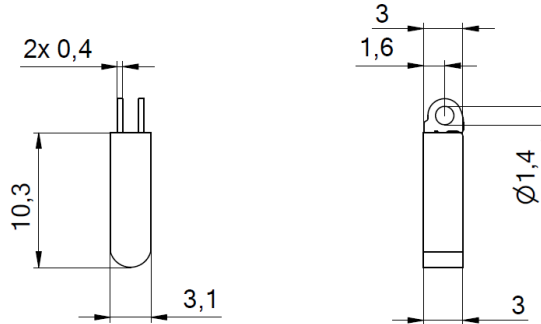


patented

60-05043

soldering

mechanism exchangeable

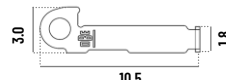
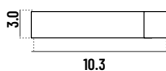


Barreling cap for case 91-20217

Case

Side hinge

Spring mechanism



17-05043

44-44063

60-04063.030

Matching parts

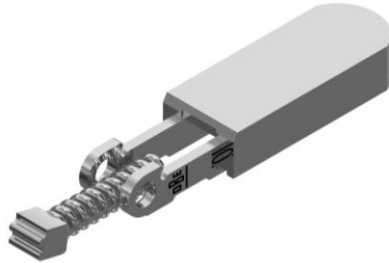
Front hinges for soldering	Front hinges for welding	Front hinges for plastic frames 90°	Front hinges for plastic frames 180°	Step hinges for soldering	Rivet hinges	Screws
<p>52-05067 52-04263</p>	<p>52-04063</p>	<p>33-05363 33-04067 33-02363 0°/6° inclination</p>	<p>33-04063</p>	<p>52-05363 52-05463 52-05563</p>	<p>51-05130 0°/6° inclination Matching rivets: see page 116</p>	<p>99-01814 99-02524 99-04814 99-02524.800 self aligning for break off</p>

WAFER NICKEL SILVER - 4.0 mm

- Round shaped nickel silver spring hinge in low profile
- Easy & stable U-shaped click-in mechanism in stainless steel
- Zero rocking & easy adjustment with flexUno two-barrel construction

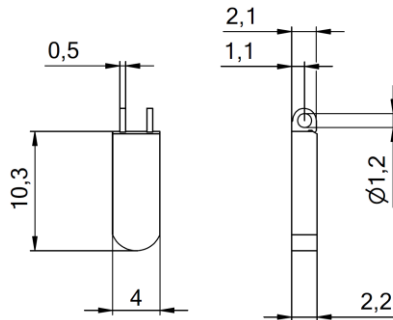


MOVIE



patented

60-04066	soldering	mechanism exchangeable
----------	-----------	------------------------



Barreling cap for case 91-04066

Case	Side hinge	Spring mechanism
 17-04066	 44-44061	 60-04061.060

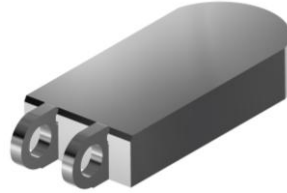
Matching parts

Front hinges for soldering	Front hinges for plastic frames 90°	Front hinges for plastic frames 180°	Step hinges for soldering	Rivet hinges	Hinge screws
 3.3	 33-04066 33-04266 off center 0°/6° inclination	 33-04166	 52-04166	 51-05066 Matching rivets: see page T16	 99-01732 99-02036 99-02036.800 self aligning for break off
52-04276					

Catalogue 2026 | 2027 - Subject to change without prior notice - all measurements in mm

WAFER NICKEL SILVER - 4.8 mm

- Round shaped nickel silver spring hinge in low profile
- Easy & stable U-shaped mechanism in stainless steel already pre-assembled
- Zero rocking & easy adjustment with flexUno two-barrel construction

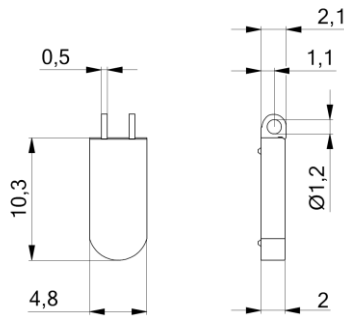


patented

60-04061.200

resistance welding

mechanism not exchangeable



Barreling cap for case 91-05061

Matching parts

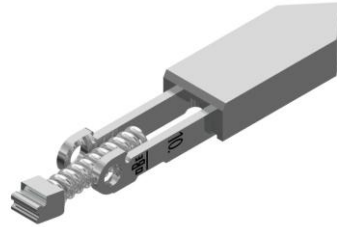
Front hinges for soldering	Front hinges for welding	Front hinges for plastic frames 90°	Front hinges for plastic frames 180°	Step hinges for soldering	Rivet hinges	Hinge screws
52-04261	52-04061	33-04061 33-04071 round foot 33-04261 off center 0°/6° inclination	33-04161	52-04161	51-05061 Matching rivets: see page 116	99-02017 99-02017.800 self aligning for break off

SPIKE NICKEL SILVER - 4.0 mm

- Pointed nickel silver spring hinge in low profile
- Easy & stable U-shaped click-in mechanism in stainless steel
- Zero rocking & easy adjustment with flexUno two-barrel construction



MOVIE

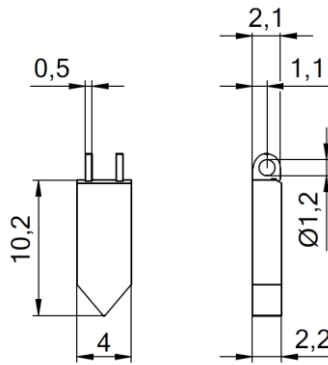


patented

60-04066.050

soldering

mechanism exchangeable

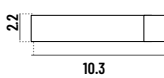


Barreling cap for case 91-04066

Case

Side hinge

Spring mechanism



17-04066.050

44-44061

60-04061.060

Matching parts


Spike front hinges	Front hinges for soldering	Front hinges for plastic frames 90°	Front hinges for plastic frames 180°	Step hinges for soldering	Rivet hinges	Hinge screws
33-04166.050	52-04276	33-04066 33-04266 off center 0°/6° inclination	33-04166	52-04166	51-05066 Matching rivets: see page 116	99-01732 99-02036 99-02036.800 self aligning for break off

METAL & COMBINATION FRAMES

FLEX MECHANISMS AND MONOBLOC FLEX TEMPLES

	PRODUCT	ARTICLE NO.	PAGE
<p>ONE-BARREL MECHANISMS</p> 	<u>FLEXINO SOLO</u>	60-44015.100 60-46500.120 60-44022.200 60-44022.500 60-04055.200	64
<p>TWO-BARREL MECHANISMS</p> 	<u>FLEXUNO INTEGRATED</u>	60-44063.200 60-44063.205 60-44063.855	65
<p>MONOBLOC FLEX TEMPLES</p> 	<u>BELLISSIMO</u>	60-07058	66
	<u>BELLO</u>	60-07053	67
	<u>BELLA</u>	60-17051	68
	<u>SKINNY</u>	60-07042	69
	<u>STEALTH</u>	60-07043	70
	<u>DUNE</u>	60-07056	71

NON-FLEX HINGES

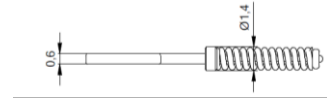
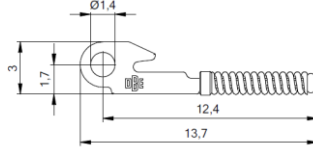
	<u>SPACE HINGES</u>	VARIOUS	72
	<u>INOX HINGES</u>	VARIOUS	73

FLEXINO SOLO STAINLESS STEEL - 0.6 mm

- One-barrel spring mechanism in stainless steel
- Double action flex movement
- Recommended temple width 1.9 - 2.6 mm

60-44015.100

fixation by peening



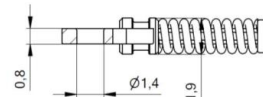
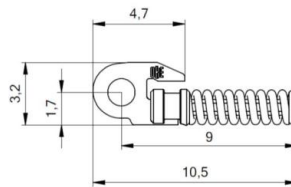
patented

FLEXINO SOLO STAINLESS STEEL - 0.8 mm

- ONE-BARREL spring mechanism in stainless steel
- Double action flex movement
- Recommended width 2.6 - 3.4 mm

60-46500.120

fixation by peening or screw-in



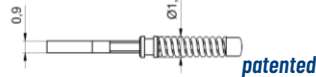
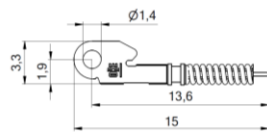
patented

FLEXINO SOLO STAINLESS STEEL - 0.9 mm

- One-barrel spring mechanism in stainless steel
- Recommended temple width 2.1 - 3.5 mm

60-44022.200
double action

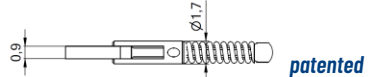
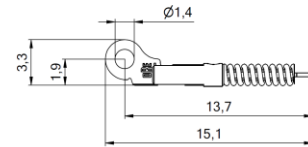
fixation by peening



patented

60-44022.500
single action

fixation by peening



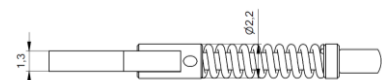
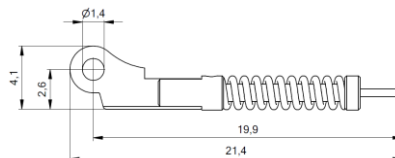
patented

FLEXINO SOLO NICKEL SILVER - 1.3 mm

- ONE-BARREL spring mechanism in nickel silver - nickel plated
- Single action flex movement
- Recommended temple width 2.8 - 6.0 mm

60-04055.200

fixation by peening



patented

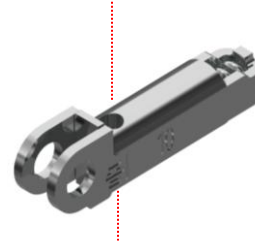
Catalogue 2026 | 2027 - Subject to change without prior notice - all measurements in mm

FLEXUNO INTEGRATED STAINLESS STEEL - 2x0.4 mm

- Two-barrel spring mechanism in stainless steel
- Recommended temple width 3.2 – 8.0 mm
- Zero rocking & easy adjustment with flexUno technology



patented



patented

60-44063.200	fixation by peening	standard spring	60-44063.855	fixation with pin or screw-in	strong spring
60-44063.205		strong spring			

Matching parts

Front hinges for soldering	Front hinges for welding	Front hinges for plastic frames 90°	Front hinges for plastic frames 180°	Step hinges for soldering	Screws
52-05067	52-04063	33-05363 33-04163 33-04067 off center 0°/6° inclination	33-04063	52-05363 52-05463	99-01814 99-02524 99-04814

Catalogue 2026 | 2027 - Subject to change without prior notice - all measurements in mm

BELLISSIMO NICKEL SILVER - 3.2 mm

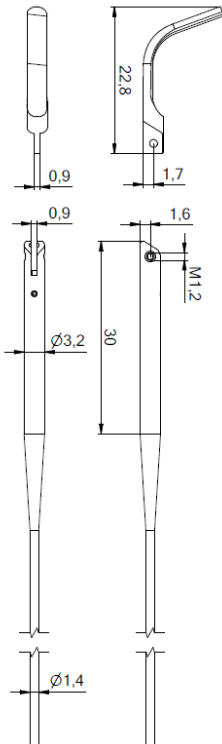
- Conical shaped temple in nickel silver
- Patented never-loose mechanism
- Various endpieces available
- Optionally delivered assembled with endpiece - screw 99-02030



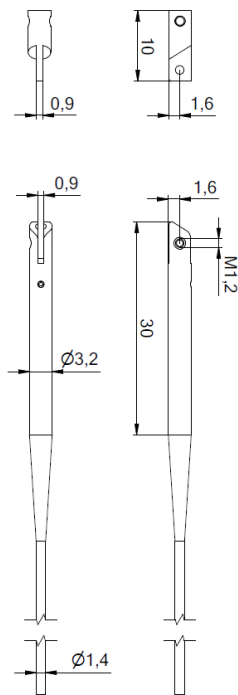
patented

Catalogue 2026 | 2027 - Subject to change without prior notice - all measurements in mm

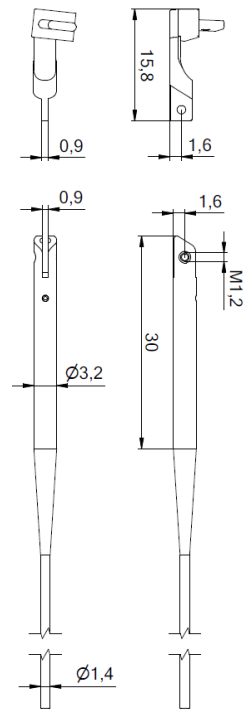
60-07058.29X with 20° opening angle
 60-07058.19X with limited opening angle
 Loose end piece: ELEPHANT 52-07058.600



60-07058.39X.0Y
 Assembled with SHORTY endpiece
 Loose end piece SHORTY 52-07058.200



60-07058.49X.0Y
 Assembled with SIDE DISH endpiece
 Loose end piece SIDE DISH: 52-07068.400



BELLO NICKEL SILVER – 2.6 mm

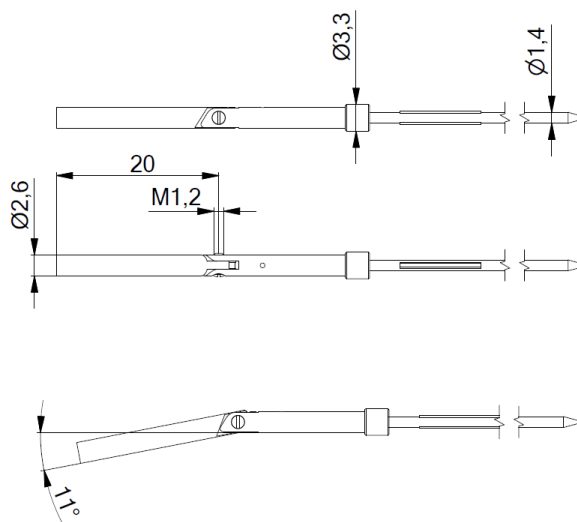
- Round shaped flex temple with double action
- Box & end piece made from nickel silver – needle made from stainless steel
- Always assembled with end piece
- Patented never-loose mechanism integrated



patented

60-07053

Ring 11-20104 - available loose



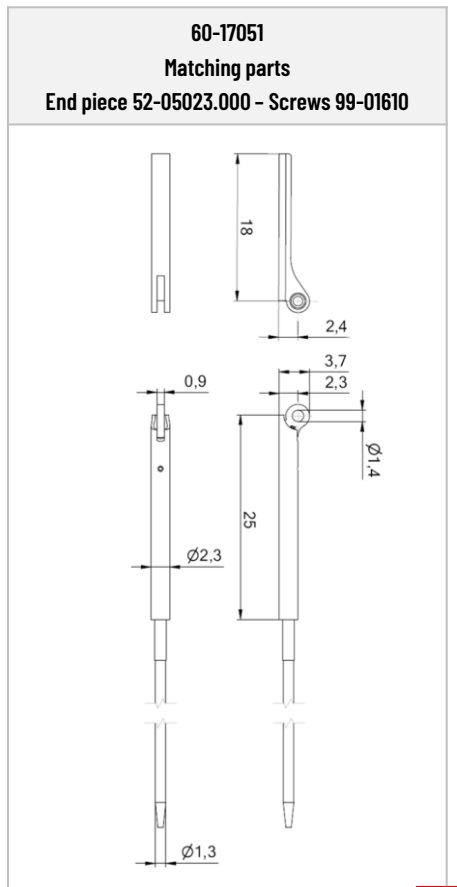
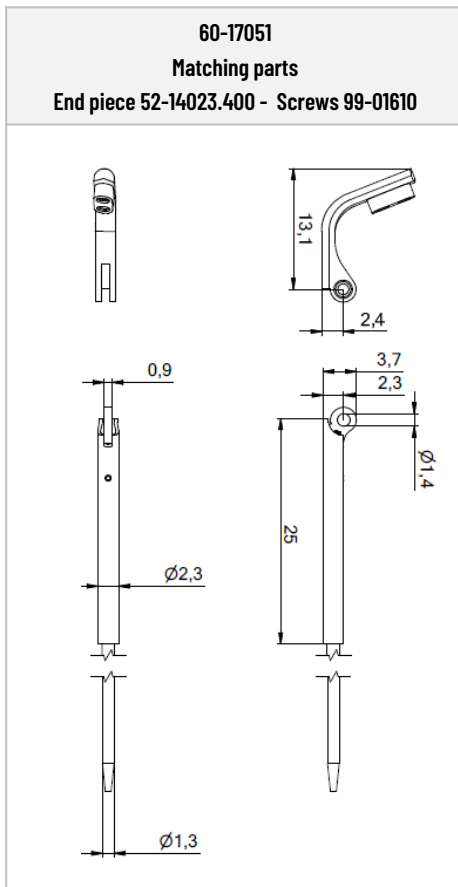
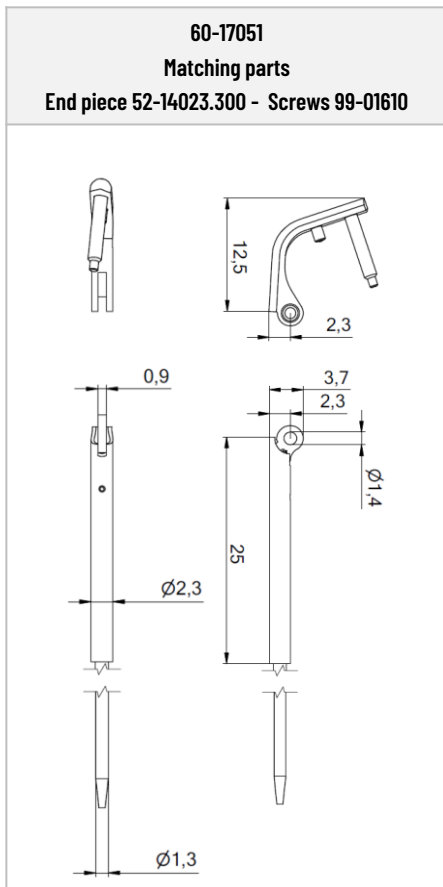
BELLA BRONZE - 2.3 mm

- Round temple made from bronze / end piece made from nickel silver
- Equipped with proven mechanism flexIno SOLO 60-44022.500
- Optionally uncoated or nickel plated
- Smooth single action with Safety Screw - optionally assembled with end pieces



patented

Catalogue 2026 | 2027 - Subject to change without prior notice - all measurements in mm

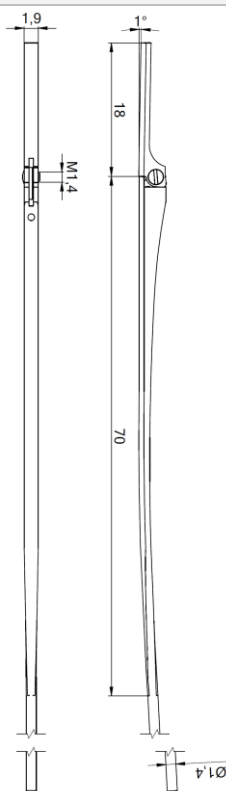


SKINNY NICKEL SILVER – 1.9 mm

- Slim spring hinge temple
- Made from nickel silver
- Equipped with proven mechanism flexIno SOLO 60-44015
- Assembled with end piece



60-07042

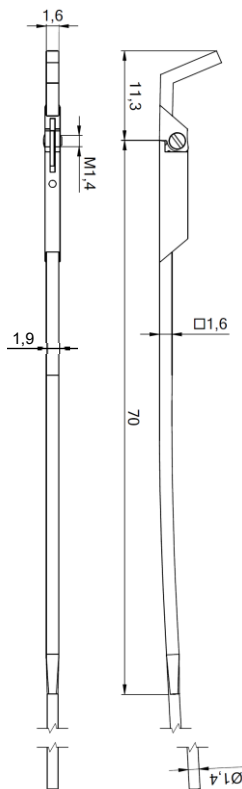


STEALTH NICKEL SILVER - 1.9 mm

- Sharp-edged spring hinge temple
- Made from nickel silver
- Equipped with proven mechanism flexIno SOLO 60-44015
- Delivered assembled with end piece



60-07043



Catalogue 2026 | 2027 - Subject to change without prior notice - all measurements in mm

DUNE NICKEL SILVER - 3.2 mm

- Round flex temple with integrated chute design
- Made in nickel silver
- Equipped with proven mechanism flexIno SOLO 60-04055
- Smooth movement with Space Screw



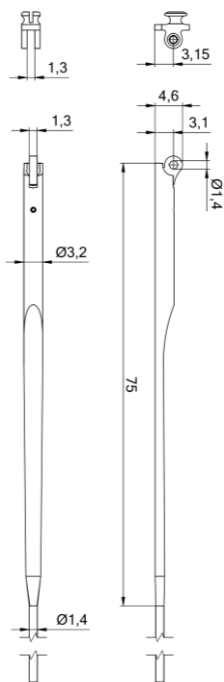
Catalogue 2026 | 2027 - Subject to change without prior notice - all measurements in mm

60-07056 + front hinge 90° 33-09039

Matching screws

99-01813 99-02501

Space Screw 6-point star 99-04324.600

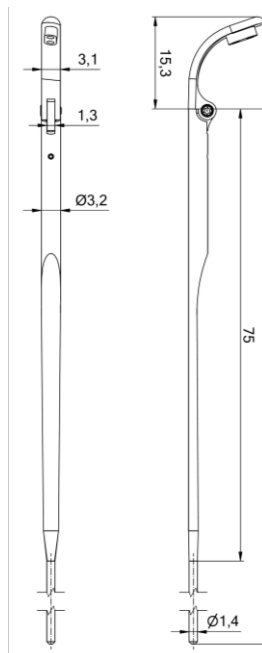


60-07056.29X

Matching screws

99-01813 99-02501

Space Screw 6-point star 99-04324.600

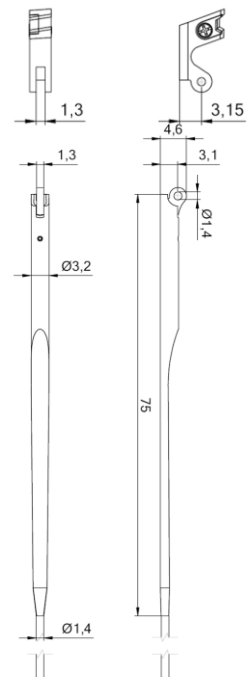


60-07056 + monoblock 67-07057.100

Matching screws

99-01813 99-02501

Space Screw 6-point star 99-04324.600



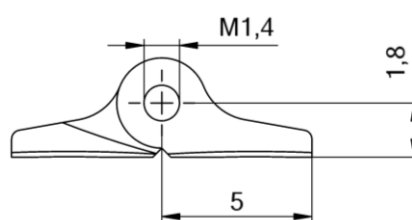
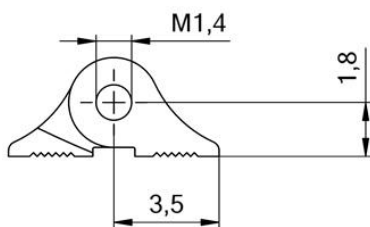
SPACE HINGES NICKEL SILVER

- Regular nickel silver hinge for metal temples in two profile shapes
- Smooth movement & anti-loosening function with Space screws
- Delivery status loose - assembled with screw upon request

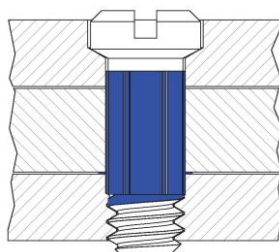


Profile: A

Profile: B



Space



Space Hinge collection

Art.No.	51-04200	50-04236	51-04446	51-04447	51-04206	51-04120	51-04418	51-04121	51-04205	51-04448
Profile	A soldering	B welding	A soldering	B soldering	A soldering	B soldering	A soldering	B soldering	A soldering	B soldering
Width	2.1	2.1	2.5	2.5	3.0	3.0	3.5	3.5	4.0	4.0
Slot	0.9	0.9	1.0	1.0	1.2	1.2	1.4	1.4	1.6	1.6
Screw head Ø	2.5	2.5	2.0	2.0	2.0	2.0	2.0	2.0	2.0	2.0
Space Screws	 99-05328.600 99-02328.600	 99-05310.600 99-02310.600	 99-05324.600 99-02324.600	 99-05325.600 99-02325.600	 99-05327.600 99-02327.600					
Dummy screws	 99-01435 99-01891	 99-02008 99-01891	 99-01375 99-01893	 99-01376 99-01896	 99-01377 99-01896					

Catalogue 2026 | 2027 - Subject to change without prior notice - all measurements in mm

INOX HINGES STAINLESS STEEL

- Regular hinges made from stainless steel
- Anti-loosening function & smooth movement function with plastic coated screws
- Delivery status loose - assembled with screw upon request



Profile: A	soldering	Profile: B	welding	Profile: C	soldering

Inox Hinge collection




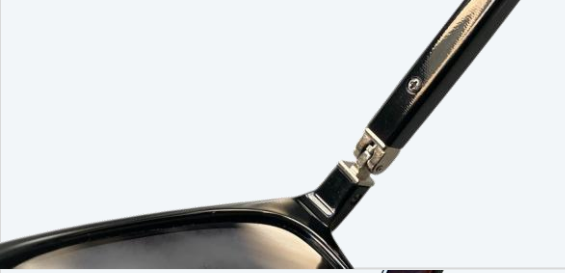

Art.No.	51-44520	50-44530	51-44015	50-44030	51-44534	50-44534	51-44526	51-44511
Profile	A	B	A	B	A	B	C	C
Width	1.5	1.5	1.5	1.5	2.1	2.1	3.0	3.0
Slot	0.7	0.7	0.7	0.7	0.9	0.9	1.2	1.3
Screw head Ø	1.8	1.8	1.8	1.8	1.8	1.8	2.0	2.0
Screws	 99-02001	 99-02001	 99-01915	 99-01915	 99-01592 99-01850	 99-01592 99-01850	 99-05324.600 99-02324.600	 99-01813 99-02501

Catalogue 2026 | 2027 - Subject to change without prior notice - all measurements in mm



INJECTION & 3D PRINTED FRAMES

FLEX HINGES

	PRODUCT	ARTICLE NO.	PAGE
	<p><u>PLUG & FLEX</u></p>	<p>60-49460</p>	<p>76</p>
	<p><u>INFLEXINO</u></p>	<p>60-08042.X90</p>	<p>77</p>
	<p><u>INFLEX</u></p>	<p>60-44064.XXX</p>	<p>78</p>
	<p><u>ULTRAFLEX 170°</u></p>	<p>60-07057 60-07064</p>	<p>79</p>
	<p><u>FLEXUNO ON SHORT WIRE</u></p>	<p>73-04063.900 73-04064.900</p>	<p>80 81</p>

PLUG & FLEX STAINLESS STEEL - 2.8 mm

- Spring hinge for injected frames - 100% made in stainless steel
- Easy, fast and cost-effective mounting
- Zero rocking thanks to flexUno technology



MOVIE

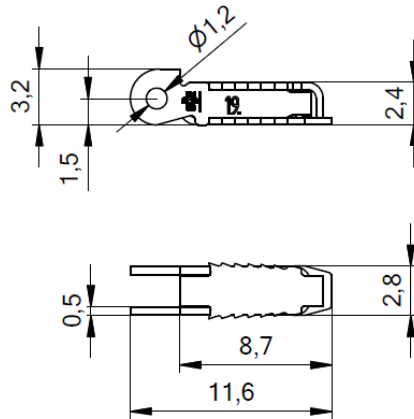


patented

60-49460.200.10

injection / embedded in 3D printing

not exchangeable



Matching parts

Direct joining screws

Pin

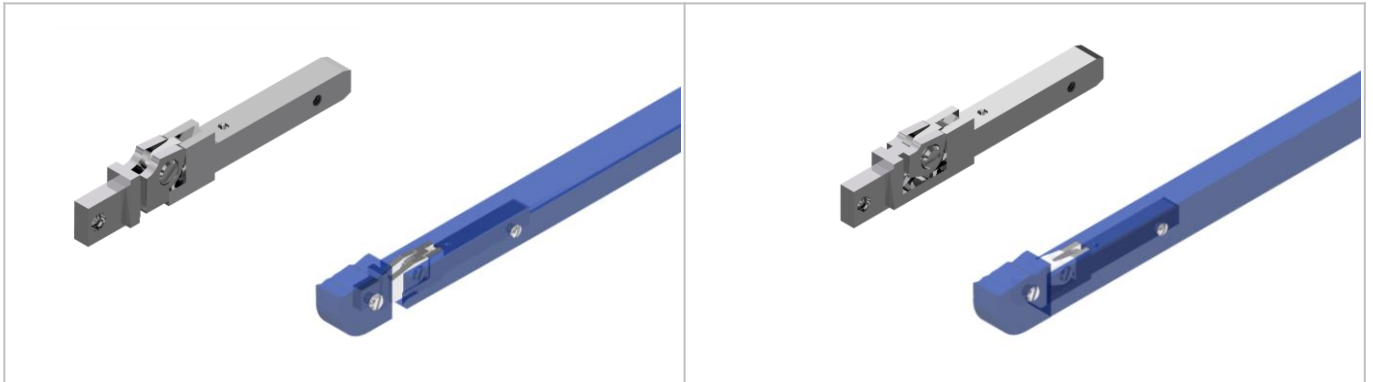


99-02910 - 6.3 mm
99-02911 - 8.0 mm

11-20025

INFLEXINO NICKEL SILVER - 2.5 mm

- Nickel silver spring hinge ready to use with or without gap
- Already assembled with front hinge
- Stable mechanism in stainless steel already pre-assembled



60-08042.890 With gap	injection / embedded in 3D printing	fixed with screws - exchangeable	60-08042.990 gapless	injection / embedded in 3D printing	fixed with screws - exchangeable

Matching parts

Fixation to front	Fixation to temple
<p>99-01375 M1.4 x 3.4</p>	<p>99-02027 M1.2 x 3.8</p>

Catalogue 2026 | 2027 - Subject to change without prior notice - all measurements in mm

INFLEX NICKEL SILVER - 2.8 mm

- Short nickel silver spring hinge optionally assembled with front hinge - nickel plated
- Stable U-shaped mechanism in stainless steel already pre-assembled
- Zero rocking & easy adjustment with flexUno two-barrel construction



patented



patented

60-44064.866	injection / embedded in 3D printing	fixed with screws - exchangeable	60-44064.290	injection / embedded in 3D printing	fixed with screws - exchangeable

Matching parts - Standard

Front hinges for plastic frames 90°	Step hinges for soldering	Hinge screws	Direct joining screw	Fixation of Inflex with temple
33-04164	52-05265	99-01816 99-02503 99-04816 99-02591 self aligning	99-02907	99-01436 (ø 2.5 with stop) 99-01750 (ø 2.2) 99-02037 (ø 2.2)

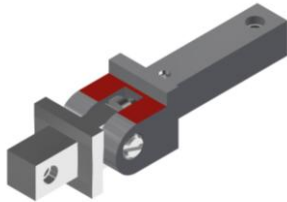
Matching parts - Hidden solution

Three-barrel block hinges	Fixation screws to front	Hinge screws
32-04078	99-01752 - 3.7mm 99-02023 - 4.4mm 99-02009 - 4.5 mm 99-02028 - 5.6 mm	99-01816 99-02503 99-02591 self aligning

Catalogue 2026 | 2027 - Subject to change without prior notice - all measurements in mm

ULTRAFLEX 170° NICKEL SILVER - 2.8 mm

- Flex with extended opening angle
- Nickel silver housing - nickel plated
- Stable patented mechanism
- Optionally with an extra inclination (Ultraflex plus)
- Mounted with screws to the temple & front



patented



patented

Catalogue 2026 | 2027 - Subject to change without prior notice - all measurements in mm

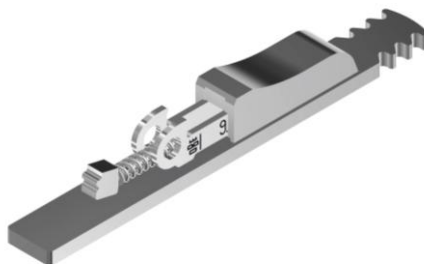
60-07057.290.01/02 170° opening angle	injection / embedded in 3D printing	Fixed with screw - exchangeable	60-07064.400.01/02 ULTRAFLEX PLUS 170° opening angle + lateral inclination	injection / embedded in 3D printing	Fixation with screw - exchangeable

Matching parts

Fixation to front	Fixation to temple
<p>99-01850</p>	<p>99-01850</p>

FLEXUNO ON SHORT WIRE NICKEL SILVER - 3.0 mm

- Nickel silver short hinge on wire - nickel plated
- Easy & stable U-shaped click-in mechanism in stainless steel
- Zero rocking & easy adjustment with flexUno two-barrel construction

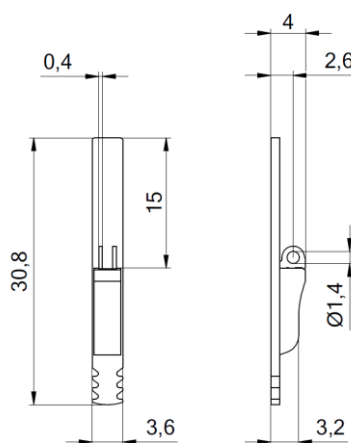


patented

73-04063.900

injection

mechanism exchangeable

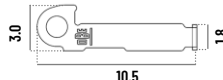
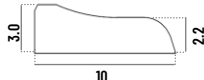


Barreling cap for case 91-20217

Case

Side hinge

Spring mechanism



17-04063

44-44063

60-04063.030

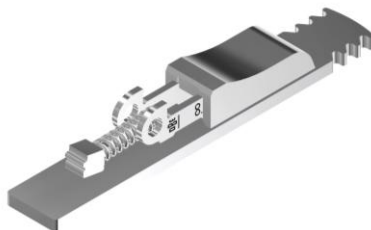
Matching parts

Front hinges for soldering	Front hinges for welding	Front hinges for plastic frames 90°	Front hinges for plastic frames 180°	Step hinges for soldering	Rivet hinges	Screws
<p>52-05067 52-04263</p>	<p>52-04063</p>	<p>33-05363 33-04163 off center 33-04067 33-02363 0°/6° inclination</p>	<p>33-04063</p>	<p>52-05363 52-05463 52-05563</p>	<p>51-05130 0°/6° inclination Matching rivets: see page 116</p>	<p>99-01814 99-02524 99-04814 99-02524.800 self aligning for break off</p>

Catalogue 2026 | 2027 - Subject to change without prior notice - all measurements in mm

FLEXUNO ON SHORT WIRE NICKEL SILVER- 4.3 mm

- Nickel silver short hinge on wire - nickel plated
- Easy & stable U-shaped click-in mechanism in stainless steel
- Zero rocking & easy adjustment with flexUno two-barrel construction

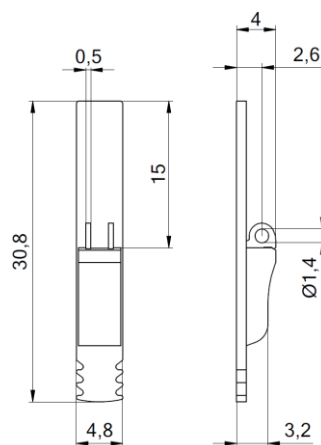


patented

73-04064.900

injection

mechanism exchangeable

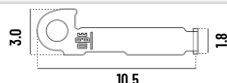
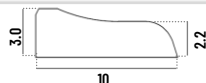


Barreling cap for case 91-20212

Case

Side hinge

Spring mechanism



17-04064

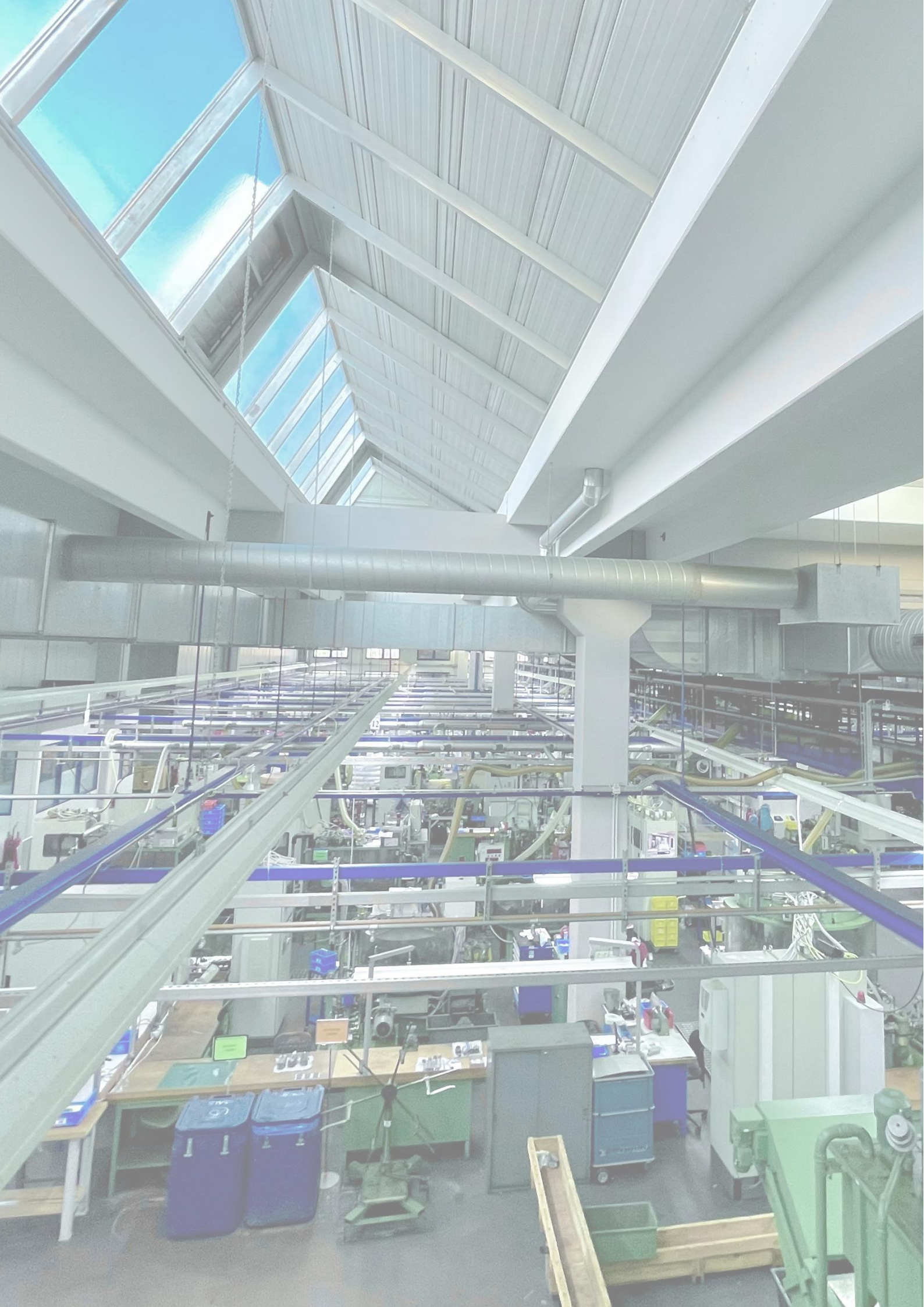
44-44064

60-04064.050

Matching parts




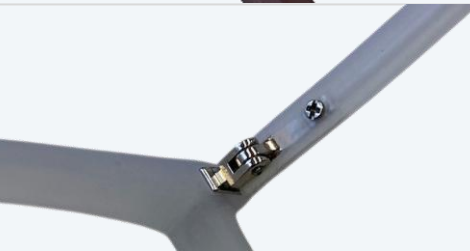

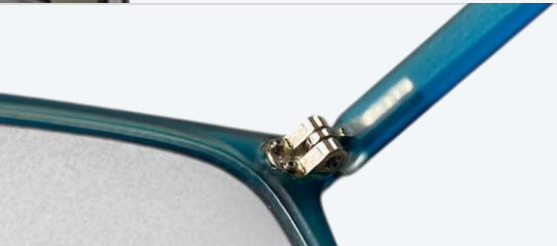
Front hinges for soldering	Front hinges for welding	Front hinges for plastic frames 90°	Front hinges for plastic frames 180°	Step hinges for soldering	Rivet hinges	Screws
<p>52-05064 52-04264</p>	<p>52-04064</p>	<p>33-05164 33-04164 off center 33-02364 0°/6° inclination</p>	<p>33-04064</p>	<p>52-05164 52-05264</p>	<p>51-05129 0°/6° inclination Matching rivets: see page 116</p>	<p>99-01816 99-02503 99-04816 99-02503.800 self aligning for break off 99-02591 self aligning</p>

Catalogue 2026 | 2027 - Subject to change without prior notice - all measurements in mm



INJECTION & 3D PRINTED FRAMES

NON-FLEX HINGES

	PRODUCT	ARTICLE NO.	PAGE
	<u>SCRIVET</u>	51-05097	84
	<u>D-HINGE</u>	70-42008	85
	<u>EASYLINK</u>	52-40012 52-40010 52-40013	86
	<u>MARIPOSA</u>	70-02112	87
	<u>ANIMELLE</u>	70-02050	88
	<u>INJECT-IT</u>	70-02110 70-02111 70-02116 70-02117	89-90

SCRIVET NICKEL SILVER - 4.1 mm

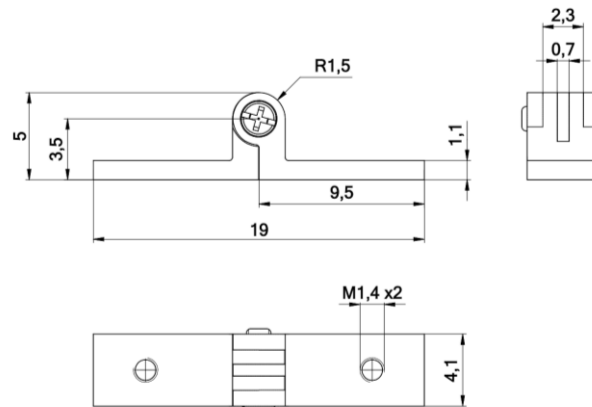
- Look-a-like rivet hinge fixed with screws
- Robust 5-barrel nickel silver construction - nickel plated
- Smooth articulation with Space Screw technology
- Further matching parts see page 42



51-05097.803.01/02

injection / embedded in 3D printing

fixation with screws -
exchangeable



Hinge screws



99-05379.600
99-02379.600

Catalogue 2026 | 2027 - Subject to change without prior notice - all measurements in mm

D-HINGE STAINLESS STEEL - 3.0 mm

- High-grade stainless-steel temple hinge in two designs
- Stability control: Secure temple attachment - fixed with a robust screw
- Movement control - Space Screw system ensures a consistent and reliable feel



70-42008.400.01/02	injection / embedded in 3D Printing	fixation with screw - exchangeable	70-42008.800.01/02	injection / embedded in 3D printing	fixation with screw - exchangeable

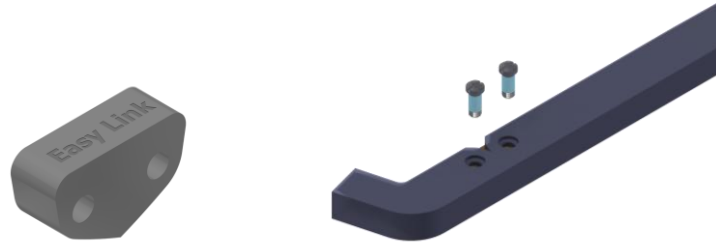
Matching parts

Fixation to temple	Hinge screws
<p>99-01435 99-04724</p>	<p>99-05331.600 99-04730 99-01719</p>

Catalogue 2026 | 2027 - Subject to change without prior notice - all measurements in mm

EASYLINK STAINLESS STEEL - 0.6 | 1.3 | 3.0 mm

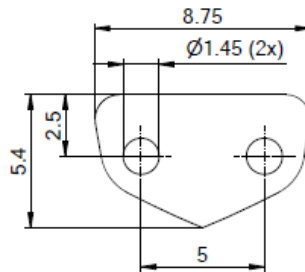
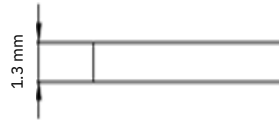
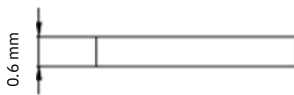
- Dual function hinge in stainless steel combining temple and front hinge in one unit
- Smooth movement with Space Screw technology integrated
- 3 widths available - widest version can be laser engraved



52-40012.000.X0

52-40010.000.X0

52-40013.000.X0



Matching parts

Threaded sleeve



93-00023.040.00

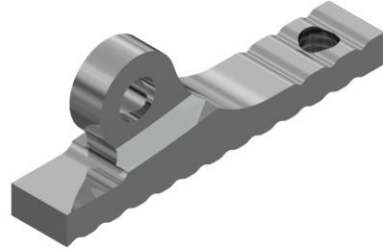
Hinge screws



Select the appropriate Space Screws from page 106 according to the temple height

MARIPOSA NICKEL SILVER - 2.2 mm

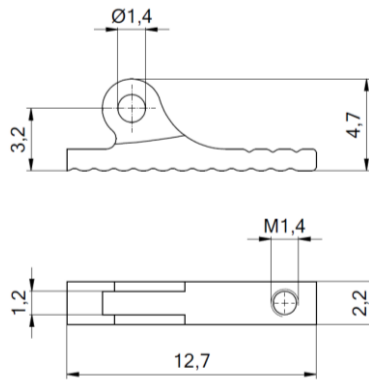
- Nickel silver hinge - nickel plated
- Easy assembly with screws to the front and temple
- Smooth movement with Space Screw technology



70-02112

injection / embedded in 3D printing

fixation with screw -
exchangeable



Matching parts

Front hinges for plastic frames 90°	Fixation screws to front	Fixation screws with temple	Hinge screws
33-02112	99-01814	99-01803	99-05324.600 99-02324.600

Catalogue 2026 | 2027 - Subject to change without prior notice - all measurements in mm

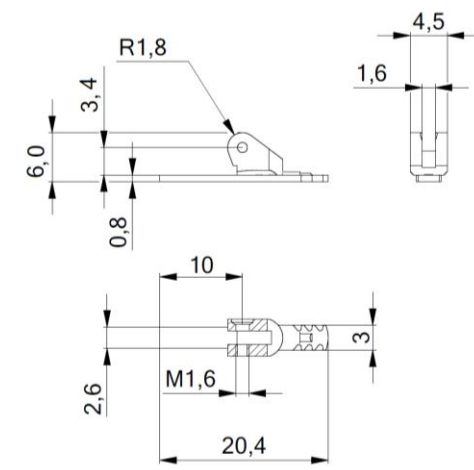
ANIMELLE NICKEL SILVER - 4.5 mm

- Short hinge on wire - nickel plated
- Smooth movement with ISH technology



70-02050

injection / not exchangeable

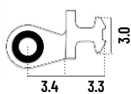


Matching parts

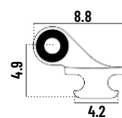
Safety hinges
for plastic frames 90°

Safety hinges
for plastic frames 180°

Screws



ISH



ISH



32-02483

33-04537

99-01455

Catalogue 2026 | 2027 - Subject to change without prior notice - all measurements in mm

INJECT-IT NICKEL SILVER - 1.2 mm

- One piece short hinge on wire in nickel silver - nickel plated
- Smooth movement with Space Screw or ISH technology



70-02110	injection / not exchangeable	70-02111 - with injected plastic	injection / not exchangeable
Screw 99-05324.600 99-02324.600		Screw 99-01375	

Matching parts

Front hinges for plastic frames 90°	Front hinges for plastic frames 180°	Rivet hinges / Rivets	Step hinges
33-02111 33-02112	33-02110	51-02113 Matching rivets: see page 116	52-02111

Catalogue 2026 | 2027 - Subject to change without prior notice - all measurements in mm

INJECT-IT NICKEL SILVER - 1.6 mm

- One piece short hinge on wire in nickel silver - nickel plated
- Smooth movement with Space Screw or ISH technology



70-02116	injection / not exchangeable	70-02117 - with injected plastic	injection / not exchangeable
<p>Screw 99-05327.600 99-02327.600</p>		<p>Screw 99-01377</p>	




Matching parts

Front hinges for plastic frames 90°	Front hinges for plastic frames 180°	Rivet hinges	Step hinges
<p>33-02117 33-02118</p>	<p>33-02116</p>	<p>51-02129 Matching rivets: see page 116</p>	<p>52-02116</p>

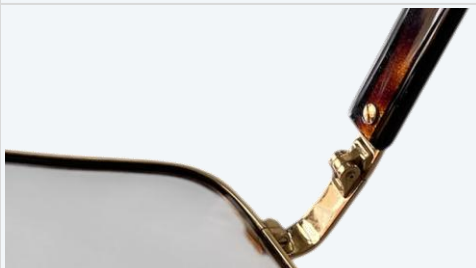
Catalogue 2026 | 2027 - Subject to change without prior notice - all measurements in mm

PURE TITANIUM FRAMES

FLEX HINGES

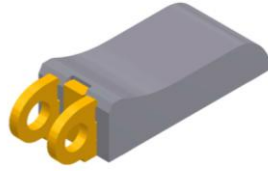
	PRODUCT	ARTICLE NO.	PAGE
 <p>CLASSIC TWO-BARREL FLEX</p>	FLEXUNO-TI	60-24164	92
<p>CLASSIC ONE-BARREL FLEX</p>	FLEXINO-TI	60-24021 60-24002	93 94
 <p>DESIGN TWO-BARREL FLEX</p>	WAFER-TI	60-24061	95
 <p>DESIGN ONE-BARREL FLEX</p>	WAFER-TI	60-24006	96
<p>ONE-BARREL MECHANISMS</p>	FLEXINO SOLO-TI	60-44015.8XX 60-44022.8XX	97
<p>TWO-BARREL MECHANISMS</p>	FLEXUNO INTEGRATED-TI	60-44063.82X	98

NON-FLEX HINGES

	PRODUCT	ARTICLE NO.	PAGE
	TITANIUM HINGES	VARIOUS	99

FLEXUNO-TI TITANIUM - 4.3 mm

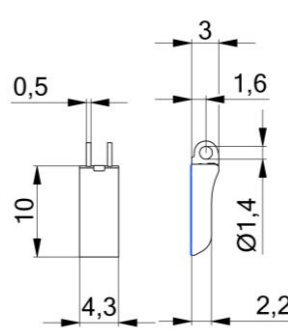
- 100% titanium spring hinge in classic look
- Robust two-barrel flexUno technology - already pre-assembled
- Durable gold finish - ideal for aggressive processing conditions



patented

60-24164

laser welding

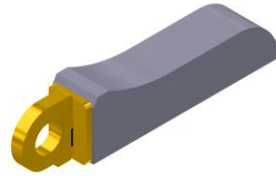


Matching parts

Front hinges for soldering and laser welding	Front hinges for plastic frames 90°	Step hinges for soldering and laser welding	Screws
52-24065	33-05164 nickel silver 0°/6° inclination	52-25264	99-01816 99-02503 99-04816 99-02503.800 self aligning for break off

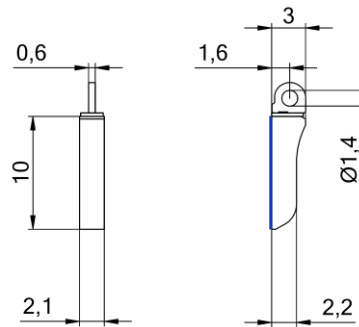
FLEXINO-TI TITANIUM - 2.1 mm

- 100% titanium spring hinge
- Robust one-barrel stainless-steel mechanism already pre-assembled
- Durable gold finish - ideal for aggressive processing conditions



60-24021

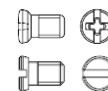
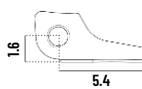
laser welding



Matching parts

Front hinges
for soldering and laser welding

Screws

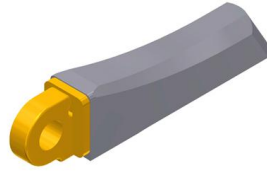


52-24021

99-01810
99-02506

FLEXINO-TI TITANIUM - 2.4 mm

- 100% titanium spring hinge
- Robust one-barrel stainless-steel mechanism already pre-assembled
- Durable gold finish - ideal for aggressive processing conditions



60-24002	resistance welding	60-24102	laser welding

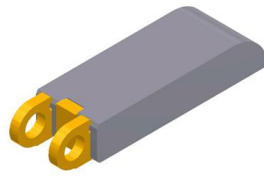
Matching parts

Front hinges for soldering and laser welding	Front hinges for plastic frames 90°	Screws
52-25071 double action	33-05100 nickel silver 0°/6° inclination	99-01811 99-02525 99-04811

Catalogue 2026 | 2027 - Subject to change without prior notice - all measurements in mm

WAFER-TI TITANIUM - 3.6 mm

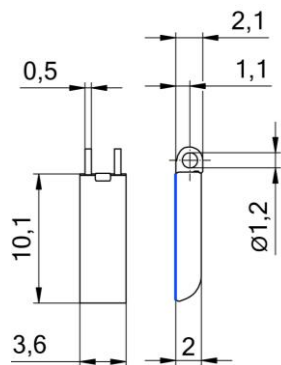
- 100% titanium spring hinge in a low-profile design
- Robust two-barrel flexUno technology - already pre-assembled
- Durable gold finish - ideal for aggressive processing conditions



patented

60-24161

laser welding



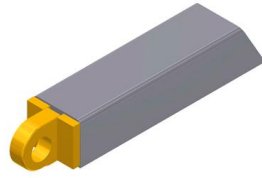
Matching parts

Front hinges for laser welding	Front hinges for plastic frames	Screws
52-24161	33-04066 nickel silver 0°/6° inclination	99-02023

Catalogue 2026 | 2027 - Subject to change without prior notice - all measurements in mm

WAFER-TI TITANIUM - 2.8 mm

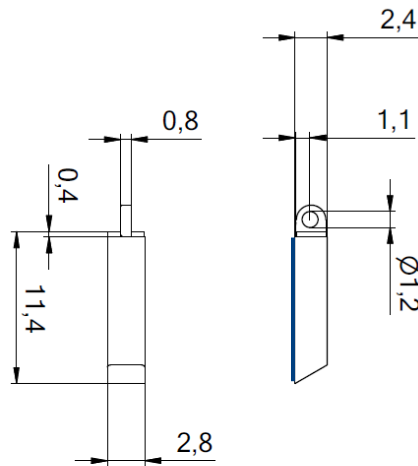
- Zero allergy one-barrel spring hinge in low profile for pure titanium frames
- Stable mechanism in stainless steel already pre-assembled
- flexIno one-barrel construction in wafer look
- Corrosion resistance thanks to gold plating



patented

60-24006

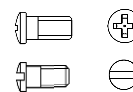
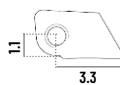
laser welding



Matching parts

Front hinges
for soldering and laser welding

Screws



52-24106

99-01756
99-02031

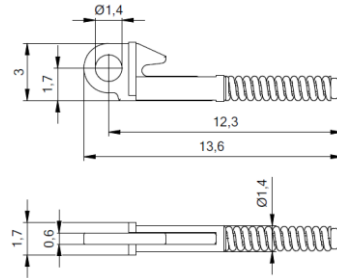
Catalogue 2026 | 2027 - Subject to change without prior notice - all measurements in mm

FLEXINO SOLO-TI TITANIUM - 0.6 mm

- One-barrel spring mechanism with integrated anti-friction washer
- Gold plating protection for titanium temples against aggressive acids
- Recommended temple width 1.9 - 2.6 mm

60-44015.8XX

fixation by peening



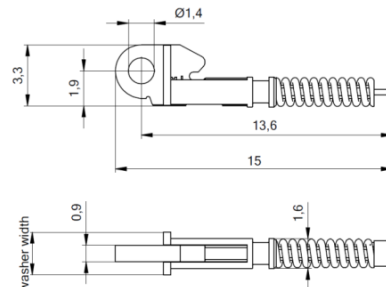
patented

FLEXINO SOLO-TI TITANIUM - 0.9 mm

- One-barrel spring mechanism with integrated anti-friction washer
- Gold plating protection for titanium temples against aggressive acids
- Recommended temple width 2.1 - 3.5 mm

60-44022.8XX

fixation by peening



patented

Different washer widths available according to temple width (mm)

2.00, 2.20, 2.40, 2.60, 3.00, 3.60, 3.40

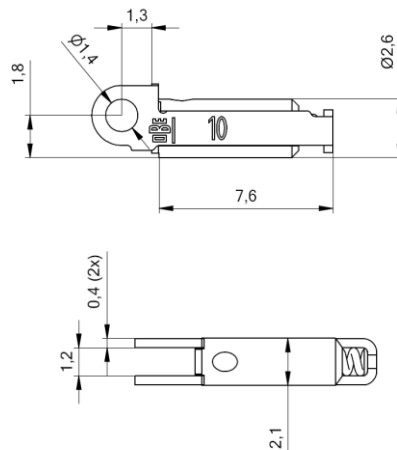
FLEXUNO INTEGRATED-TI TITANIUM - 2x 0.4 mm

- Two-barrel spring mechanism with integrated anti-friction washer
- Gold plating protection for titanium temples against aggressive acids
- Zero rocking & easy adjustment with flexUno technology
- Recommended temple width 3.2 - 8.0 mm



patented

60-44063.820	fixation by peening	standard spring
60-44063.825		strong spring

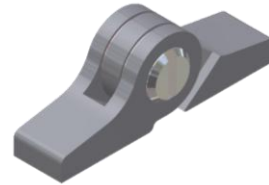
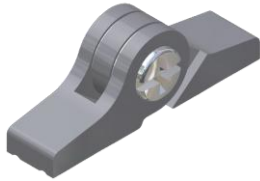


Matching parts

Front hinges for soldering and laser welding	Front hinges for welding	Screws
52-25065 titanium	52-24063 titanium	99-01814 99-02524 99-04814

TITANIUM HINGES – 2.3 mm & 3.0 mm

- Regular titanium with integrated anti-friction washer
- Delivery status assembled with screw

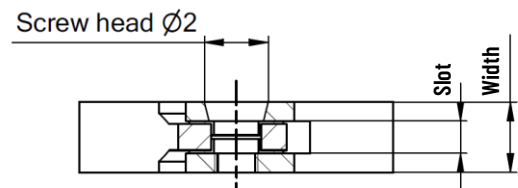
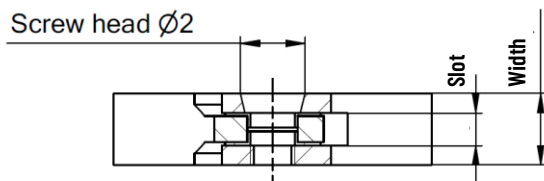
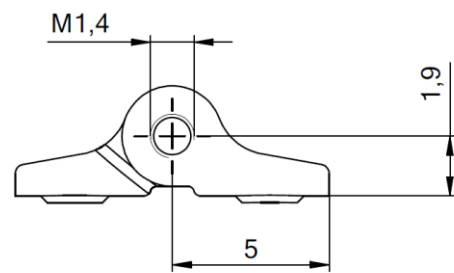
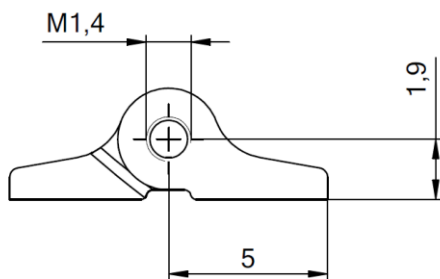


Profile: A

soldering

Profile: B

welding



Matching parts

Art.No.	51-27412.100 51-27412.200	50-27422.100	51-27414.100 51-27414.200	50-27424.100 50-27424.200
Profile	A	B	A	B
Width	2.3	2.3	3.0	3.0
Slot	1.0	1.0	1.2	1.2
Screw head Ø	2.0	2.0	2.0	2.0

Catalogue 2026 | 2027 – Subject to change without prior notice – all measurements in mm



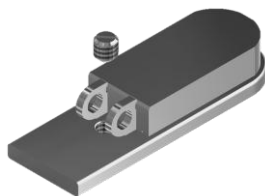
FRAMES MADE FROM SPECIAL MATERIALS

FLEX HINGES

	PRODUCT	ARTICLE NO.	PAGE
	WAFERELLA	73-04061.900	102
	C'FLEX	60-04088	103
	SLIDEX	60-03088	104

WAFERELLA NICKEL SILVER - 4.8 mm

- Round shaped nickel silver spring hinge on short wire - nickel plated
- Stable U-shaped mechanism in stainless steel already pre-assembled
- Designed for wooden frames
- MOQ 500 pairs

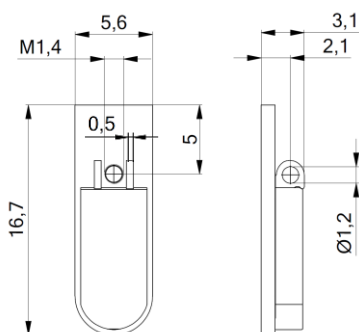


patented

73-04061.900

fixing with screw

exchangeable



Barreling cap for case 91-05061
Milling tool 20-47448

Matching parts - Standard

Front hinges for plastic frames 90°	Front hinges for plastic frames 180°	Step hinges for soldering	Rivet hinges	Hinge screws	Fixation to temple
<p>33-04061 33-04071 round foot 33-04261 off center</p> <p>0°/6° inclination</p>	<p>33-04161</p>	<p>52-04161</p>	<p>51-05061</p> <p>Matching rivets: see page 116</p>	<p>99-02017 99-02017.800 self aligning for break off</p>	<p>99-02024</p>

Catalogue 2026 | 2027 - Subject to change without prior notice - all measurements in mm

C'FLEX NICKEL SILVER - 3.0 mm

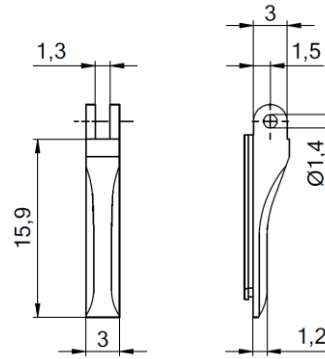
- Nickel silver spring hinge in low profile
- Flat design enables elegant integration in titanium or aluminum temples



60-04088

fixing in temple groove

exchangeable

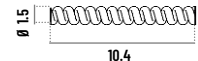
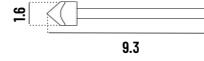
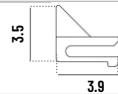
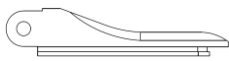


Case

Plunger

Spring bolt

Spring



60-04088.023

11-20132

11-20133.041

97-17899

Matching parts

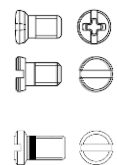
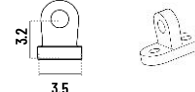
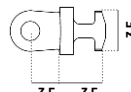
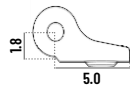
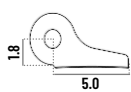
Front hinges
for soldering

Front hinges
for welding

Front hinges
for plastic frames 90°

Rivet hinges

Screws



Safety

52-05101

52-04266 titanium

33-05066

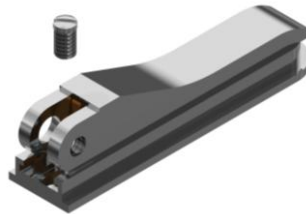
51-05005

Matching rivets:
see page 116

99-01813
99-02501
99-01539

SLIDEX NICKEL SILVER - 4.5 mm

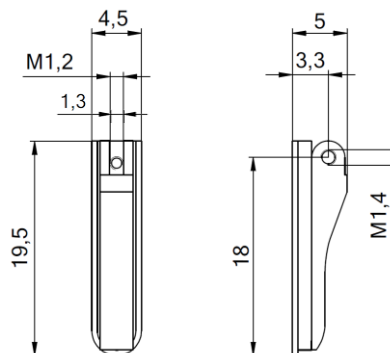
- Nickel silver spring hinge on short wire in low profile – nickel plated
- Flat design enables elegant integration in buffalo horn or wooden temples
- Stable pre-assembled spring mechanism
- MOQ 200 pairs



60-03088

fixing with screw

exchangeable



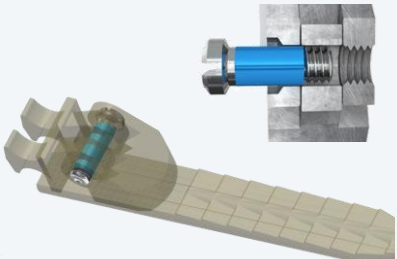
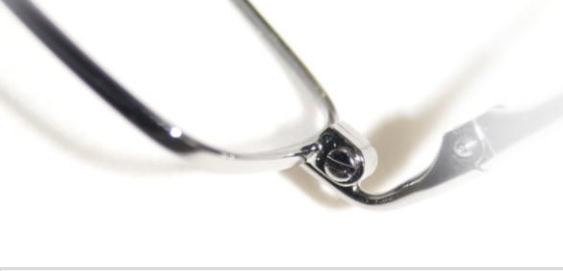

Milling tool 20-47441

Matching parts

Front hinges for plastic frames 90°	Rivet hinges	Hinge screws	Fixation to temple
		<p>Safety</p>	
33-05066	51-05005 Matching rivets: see page 116	99-01813 99-02501 99-01539	99-02018

Catalogue 2026 | 2027 - Subject to change without prior notice - all measurements in mm

SPECIAL SCREWS AND ACCESSORIES

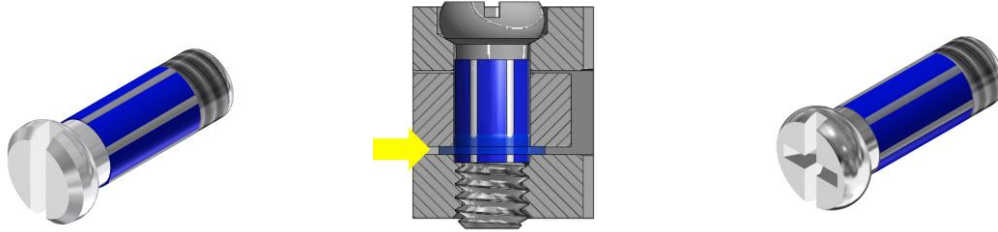
SCREWS		
	PRODUCT	PAGE
	SPACE SCREWS FOR HINGES	106
	SAFETY SCREWS FOR RIM LOCKS	107
	6 POINT STAR SCREWS FOR HINGES & RIM LOCKS	108
	DIRECT JOINING SCREWS	109
	CONICAL HEAD SCREWS FOR HINGES	110
	FLAT HEAD SCREWS FOR HINGES	111
	DUMMY SCREWS	112
OTHERS		
	PRODUCT	PAGE
	PINS-UP FIXING SYSTEM	113
	INJECTION SAFETY NUT	114
	BLOCKS & PINS	115
	RIVETS	116

SPACE SCREWS FOR HINGES

- Stainless steel screws equipped with injected plastic for smooth movement & against loosening
- Main application in non-flex metal & plastic templates
- System possible to use up to 7-barrel hinges
- Torx® system upon request

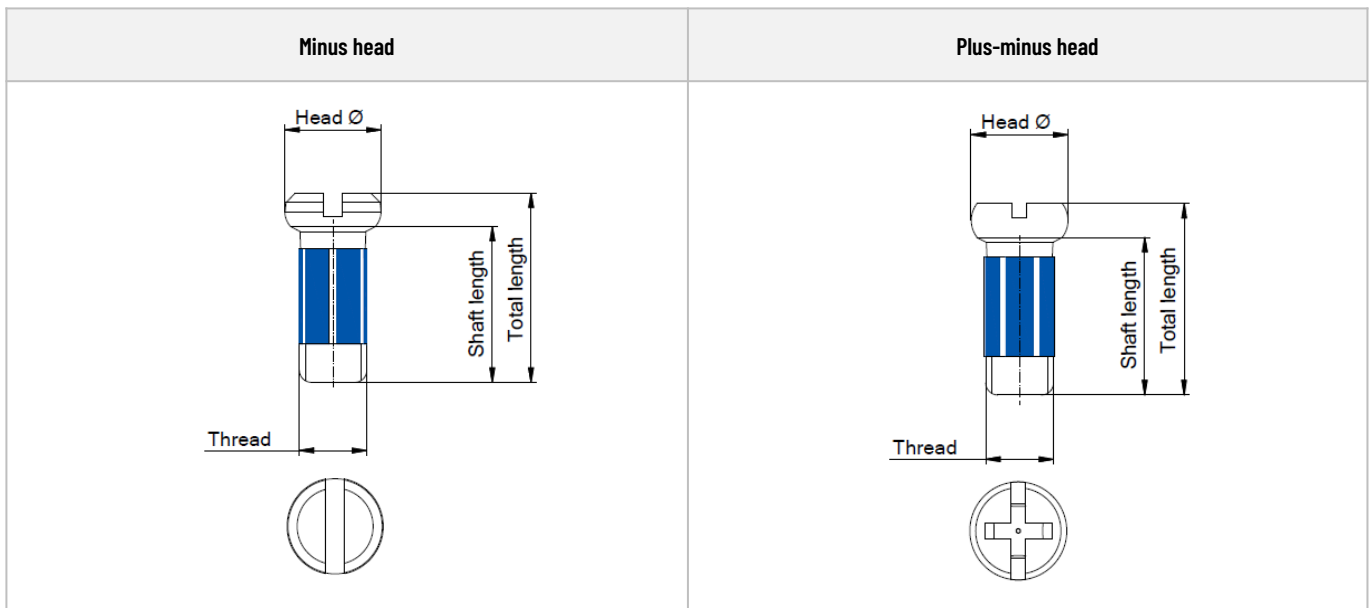


MOVIE



patented

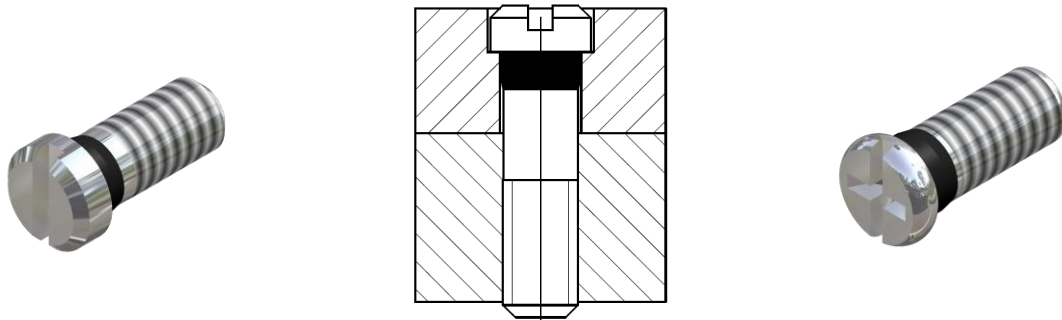
Catalogue 2026 | 2027 - Subject to change without prior notice - all measurements in mm



Minus head					Plus-minus head				
Art. No.	Thread	Total length	Shaft length	Head Ø	Art. No.	Thread	Total length	Shaft length	Head Ø
99-05305.600	M1.4	2.8	2.2	1.8	99-02305.600	M1.4	2.8	2.2	1.8
99-05310.600	M1.4	3.0	2.4	2.0	99-02310.600	M1.4	3.0	2.4	2.0
99-05322.600	M1.4	3.2	2.6	2.0	99-02322.600	M1.4	3.2	2.6	2.0
99-05311.600	M1.4	3.3	2.7	1.8	99-02324.600	M1.4	3.4	2.7	2.0
99-05324.600	M1.4	3.4	2.7	2.0	99-02328.600	M1.4	3.5	2.8	2.5
99-05328.600	M1.4	3.5	2.8	2.5	99-02393.600	M1.4	3.6	3.0	2.0
99-05323.600	M1.6	3.5	2.8	2.5	99-02397.600	M1.4	3.8	3.1	2.0
99-05397.600	M1.4	3.8	3.1	2.0	99-02325.600	M1.4	4.0	3.3	2.0
99-05325.600	M1.4	4.0	3.3	2.0	99-02301.600	M1.4	4.3	3.6	2.0
99-05301.600	M1.4	4.3	3.6	2.0	99-02327.600	M1.4	4.5	3.8	2.0
99-05327.600	M1.4	4.5	3.8	2.0	99-02379.600	M1.4	4.6	3.9	2.0
99-05379.600	M1.4	4.6	3.9	2.0	99-02333.600	M1.4	5.0	4.3	2.0
99-05333.600	M1.4	5.0	4.3	2.0	99-02334.600	M1.4	5.5	4.8	2.0
99-05334.600	M1.4	5.5	4.8	2.0	99-02374.600	M1.4	5.8	5.1	2.0
99-05331.600	M1.4	5.7	4.9	2.5	99-02356.600	M1.4	6.1	5.4	2.0
99-05332.600	M1.4	6.4	5.7	2.0	99-02332.600	M1.4	6.4	5.7	2.0
99-05375.600	M1.4	7.5	6.8	2.0	99-02376.600	M1.4	6.9	6.2	2.0
99-05380.600	M1.4	8.5	7.8	2.0	99-02375.600	M1.4	7.5	6.8	2.0
99-05308.600	M1.4	9.2	8.5	2.0	99-02380.600	M1.4	8.5	7.8	2.0

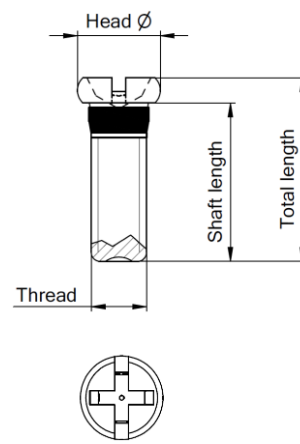
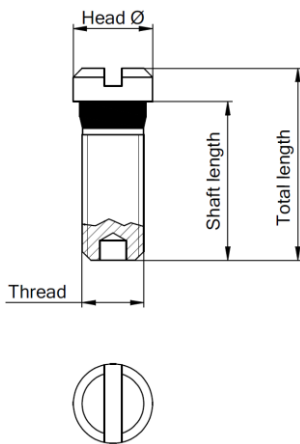
SAFETY SCREWS FOR RIM LOCKS

- Stainless steel screws with integrated safety system
- Main application for rim locks in metal frames
- Eliminate the risk of losing lenses by keeping them in position



Minus head

Plus-minus head



Minus head

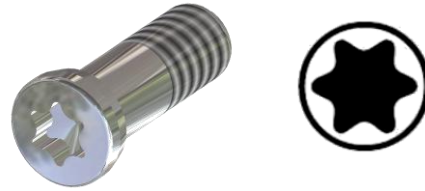
Plus-minus head

Minus head					Plus-minus head				
Art. No.	Thread	Total length	Shaft length	Head Ø	Art. No.	Thread	Total length	Shaft length	Head Ø
99-01546	M1.2	3.1	2.3	1.6	99-01624	M1.2	3.2	2.6	1.8
99-01548	M1.2	3.6	2.8	1.6	99-01627	M1.2	4.4	3.8	1.8
99-01549	M1.2	4.1	3.3	1.6	99-01690	M1.4	2.4	1.8	2.0
99-01550	M1.2	4.5	3.7	1.6	99-01610	M1.4	2.7	2.1	2.0
99-01551	M1.2	5.0	4.2	1.6	99-01606	M1.4	3.0	2.4	2.0
99-01538	M1.4	2.6	1.8	1.8	99-01644	M1.4	3.2	2.6	1.8
99-01544	M1.4	2.7	2.1	2.0	99-01604	M1.4	3.2	2.6	2.0
99-01542	M1.4	2.8	2.0	1.8	99-01609	M1.4	3.4	2.8	2.0
99-01514	M1.4	2.9	2.3	2.0	99-01603	M1.4	3.6	3.0	2.0
99-01541	M1.4	3.1	2.3	1.8	99-01601	M1.4	3.8	3.2	2.0
99-01560	M1.4	3.2	2.6	2.0	99-01608	M1.4	4.0	3.4	2.0
99-01539	M1.4	3.4	2.6	1.8	99-01602	M1.4	4.2	3.6	2.0
99-01543	M1.4	3.5	2.7	1.8	99-01607	M1.4	4.6	4.0	2.0
99-01555	M1.4	3.5	2.9	2.0	99-01605	M1.4	5.0	4.4	2.0
99-01584	M1.4	3.6	2.9	2.0	99-01600	M1.4	5.9	5.3	2.0
99-01520	M1.4	3.7	3.1	2.0	99-01612	M1.4	6.4	5.8	2.0
99-01537	M1.4	3.9	3.1	1.8					
99-01545	M1.4	4.0	3.2	1.8					
99-01585	M1.4	4.0	3.2	2.0					
99-01515	M1.4	4.0	3.4	2.0					
99-01540	M1.4	4.4	3.6	1.8					
99-01547	M1.4	5.0	4.2	1.8					

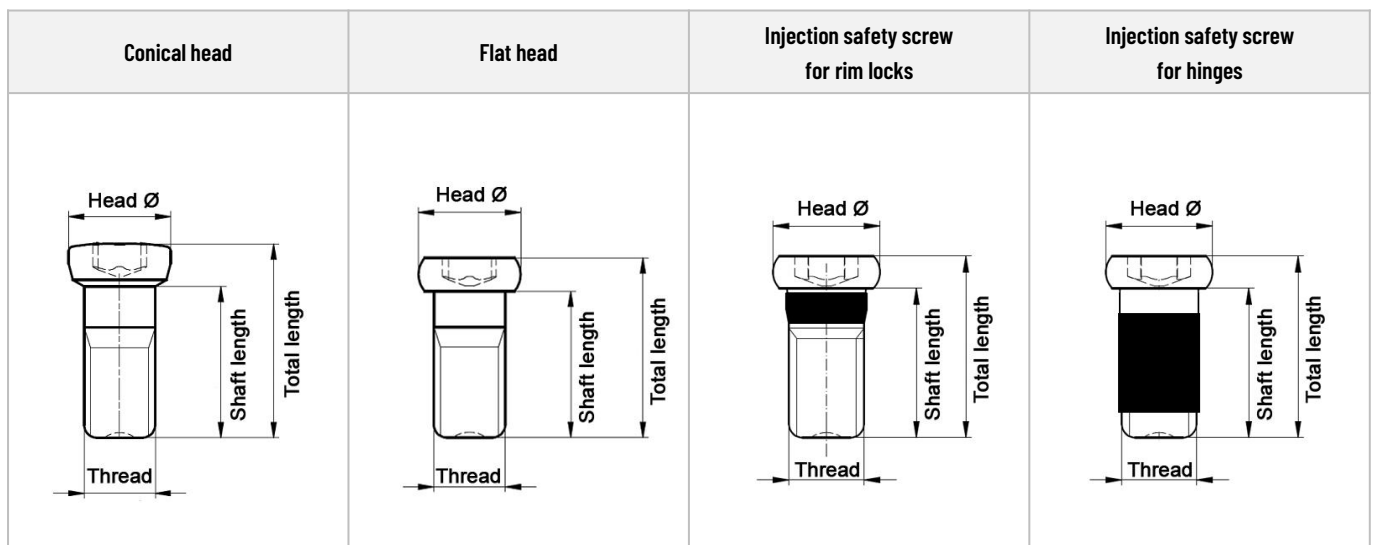
Catalogue 2026 | 2027 - Subject to change without prior notice - all measurements in mm

6 POINT STAR SCREWS FOR HINGES & RIM LOCKS

- Stainless steel screws in Torx® system - application in all kind of frames
- Optimal handling: no slipping – easy assembling – no over-torquing
- Space Screws upon request



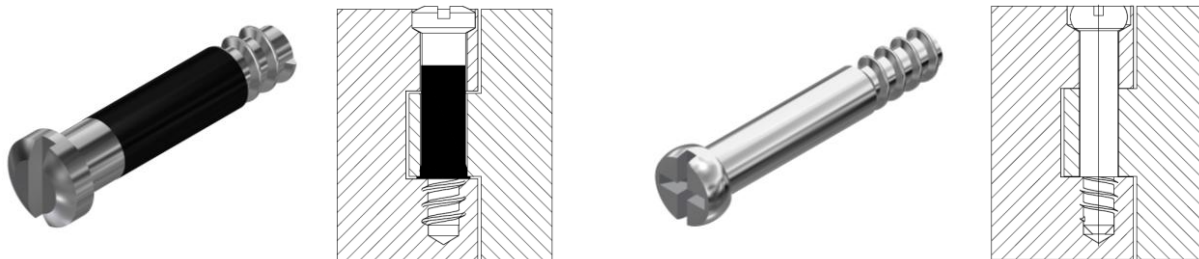
Catalogue 2026 | 2027 - Subject to change without prior notice - all measurements in mm



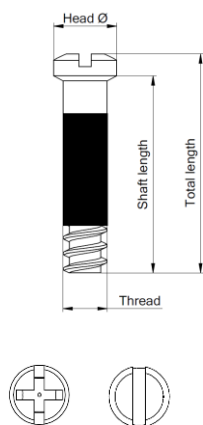
Art. No.	Size	Thread	Total length	Shaft length	Head Ø	Screw type
99-04803	T3	M1.4	2.4	1.6	2.0	Conical head screw
99-04811	T3	M1.4	3.0	2.2	2.0	
99-04812	T3	M1.4	3.3	2.5	2.0	
99-04814	T3	M1.4	3.8	3.0	2.0	
99-04816	T3	M1.4	4.5	3.7	2.0	
99-04002	T3	M1.2	9.0	8.5	1.9	Flat head screw for rimless frames
99-04001	T3	M1.2	13.0	12.4	2.0	
99-04750	T3	M1.2	2.3	1.8	2.2	Flat head screw
99-04728	T3	M1.4	2.8	2.1	2.0	
99-04724	T3	M1.4	3.5	2.8	2.0	
99-04701	T3	M1.4	3.9	3.2	2.0	
99-04730	T3	M1.4	6.0	5.3	2.0	
99-04726	T3	M1.6	5.0	4.3	2.5	
99-04725	T3	M1.6	5.3	4.5	2.5	
99-04609	T3	M1.4	3.5	2.8	2.0	Injection safety screw for rim locks
99-04602	T3	M1.4	4.3	3.6	2.0	
99-04324	T3	M1.4	3.4	2.7	2.0	Injection safety screw for hinges
99-04327	T3	M1.4	4.5	3.8	2.0	
99-04333	T3	M1.4	5.0	4.3	2.0	

DIRECT JOINING SCREWS

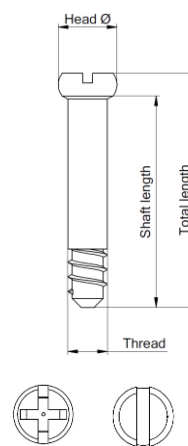
- Stainless steel screws with self-tapping function
- Optionally plastic injected or based on a conical shape



DJ-Screws with Safety Technology



DJ-Screws with conical head



DJ-Screws with Safety Technology

DJ-Screws with conical head

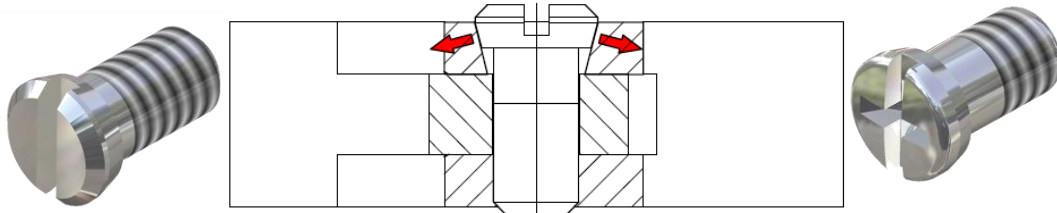
Art. No.	Thread	Total length	Shaft length	Head Ø
99-02902 	DJ1.4	6.2	5.5	2.0
99-02903 	DJ1.4	7.0	6.3	2.0
99-02908 	DJ1.4	9.2	8.5	2.0

Art. No.	Thread	Total length	Shaft length	Head Ø
99-02901 	DJ1.2	2.7	2.1	1.6
99-02910 	DJ1.2	6.3	5.3	1.8
99-02907 	DJ1.4	6.3	7.3	1.8
99-02906 	DJ1.4	7.0	6.3	2.0
99-02904 	DJ1.2	7.6	6.9	1.8
99-02918 	DJ1.4	7.7	7.0	2.2
99-02911 	DJ1.2	8.0	7.3	1.8
99-02919 	DJ1.4	11.7	11.0	2.2

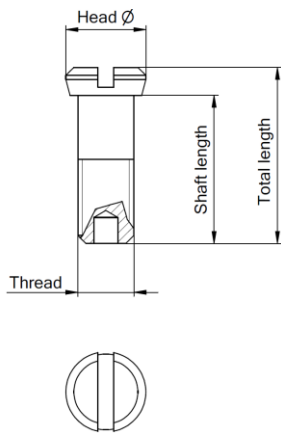
Catalogue 2026 | 2027 - Subject to change without prior notice - all measurements in mm

CONICAL HEAD SCREWS FOR HINGES

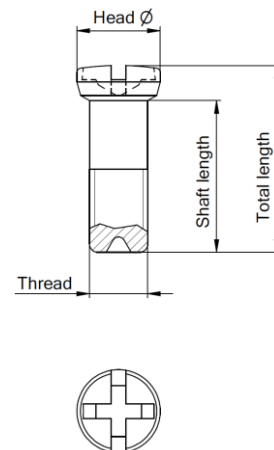
- Stainless steel screws with anti-loosening function
- Enable equal and precise movement of the hinge



Minus head



Plus-minus head



Minus head

Plus-minus head

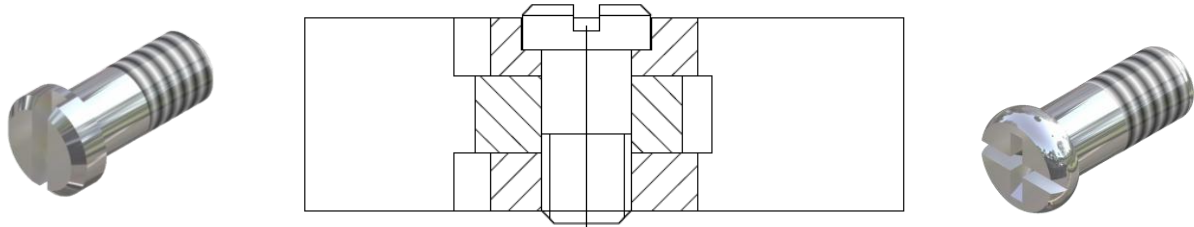
Art. No.	Thread	Total length	Shaft length	Head Ø
99-02550	M1.2	2.4	1.9	1.8
99-02530	M1.4	2.3	1.8	2.0
99-02506	M1.4	2.6	1.9	2.0
99-02525	M1.4	2.9	2.2	2.0
99-02507	M1.4	3.2	2.5	2.0
99-02500	M1.4	3.2	2.5	2.0
99-02501	M1.4	3.4	2.7	2.0
99-02524	M1.4	3.7	3.0	2.0
99-02502	M1.4	3.9	3.2	2.0
99-02503	M1.4	4.4	3.7	2.0
99-02526	M1.4	4.6	3.9	2.0
99-02511	M1.6	3.5	2.7	2.5
99-02515	M1.6	4.5	3.7	2.5

Art. No.	Thread	Total length	Shaft length	Head Ø
99-01803	M1.4	2.4	1.7	2.0
99-01810	M1.4	2.7	1.9	2.0
99-01811	M1.4	3.0	2.2	2.0
99-01812	M1.4	3.3	2.4	2.0
99-01813	M1.4	3.5	2.7	2.0
99-01815	M1.4	3.5	2.7	2.0
99-01814	M1.4	3.8	3.0	2.0
99-01817	M1.4	4.0	3.2	2.0
99-01818	M1.4	4.2	3.4	2.0
99-01816	M1.4	4.5	3.7	2.0

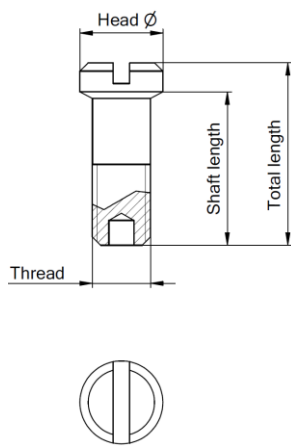
Catalogue 2026 | 2027 - Subject to change without prior notice - all measurements in mm

FLAT HEAD SCREWS FOR HINGES

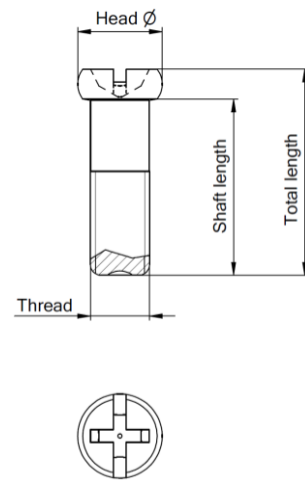
- Stainless steel screws
- Can be nickel or gold plated



Minus head



Plus-minus head



Minus head

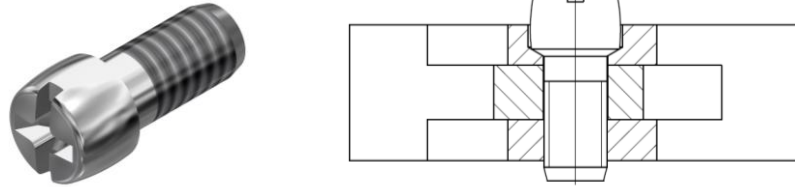
Plus-minus head

Minus head					Plus-minus head				
Art. No.	Thread	Total length	Shaft length	Head Ø	Art. No.	Thread	Total length	Shaft length	Head Ø
99-02037	M1.2	2.0	1.6	2.2	99-01750	M1.2	2.0	1.5	2.2
99-02001	M1.2	2.3	1.8	1.8	99-01751	M1.2	2.3	1.8	2.2
99-02031	M1.2	3.0	2.5	1.6	99-01722	M1.4	2.1	1.5	2.5
99-02023	M1.2	4.4	3.9	1.6	99-01703	M1.4	3.5	2.8	1.8
99-02017	M1.2	5.2	4.5	1.6	99-01730	M1.4	3.5	2.8	1.9
99-02008	M1.4	2.7	2.1	2.0	99-01700	M1.4	3.9	3.2	2.0
99-02035	M1.4	3.4	2.7	1.8	99-01708	M1.4	4.2	3.5	1.8
99-01375	M1.4	3.4	2.7	2.0	99-01715	M1.4	4.7	4.0	2.0
99-01435	M1.4	3.6	3.0	2.5	99-01721	M1.4	5.1	4.4	2.0
99-01376	M1.4	3.9	3.2	2.0	99-01718	M1.4	5.5	4.8	2.0
99-01377	M1.4	4.4	3.7	2.0	99-01720	M1.4	6.2	5.5	2.0
99-01338	M1.6	3.2	2.6	2.0	99-01719	M1.4	6.4	5.7	2.0
99-01362	M1.6	3.4	2.8	2.5	99-01716	M1.4	6.7	6.0	2.0
99-01458	M1.6	3.5	2.9	2.5					
99-01363	M1.6	4.0	3.3	2.5					
99-01364	M1.6	4.4	3.7	2.5					
99-01357	M1.6	4.8	3.9	2.8					

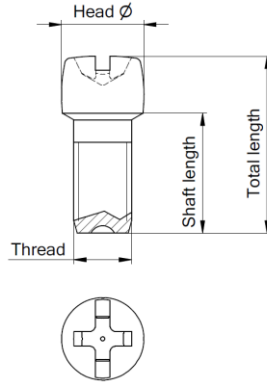
Catalogue 2026 | 2027 - Subject to change without prior notice - all measurements in mm

DUMMY SCREWS

- Stainless steel screws replacing Safety screws in soldering process
- Application: non-flex metal frames
- Easy handling & reusable



Plus-minus head



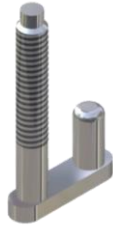
Plus-minus head

Art. No.	For hinges with wide of	Thread	Total length	Shaft length	Head ø
99-01891	2.5 mm	M1.4	3.8	2.8	2.0
99-01893	3.0 mm	M1.4	4.3	2.8	2.0
99-01896	4.0 mm	M1.4	5.3	3.6	2.0
99-01898	4.5 mm	M1.4	5.8	4.0	2.0

Catalogue 2026 | 2027 - Subject to change without prior notice - all measurements in mm

PINS-UP FIXING SYSTEM

- Fixing end piece in stainless steel for rimless frames
- Two systems available: SCREW-IN or PRESSURE-MOUNT
- Stable one piece construction

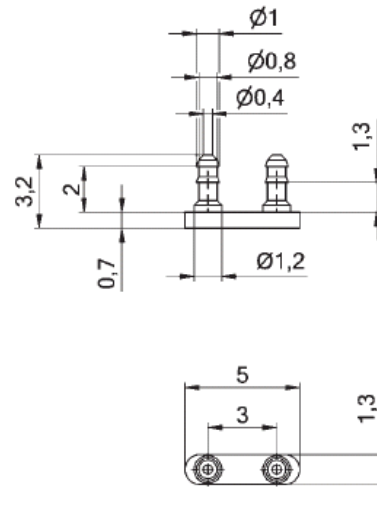
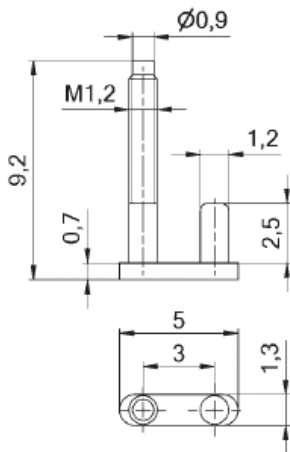


64-42004

screw-in

64-42005

clip-in

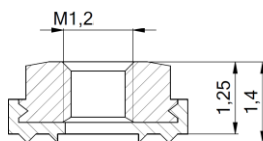
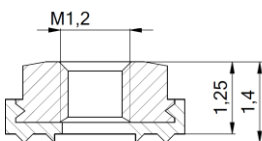


Matching parts

64-42004

OBE Star M1.2

OBE Star M1.2 gold plated

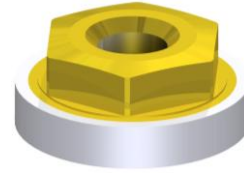
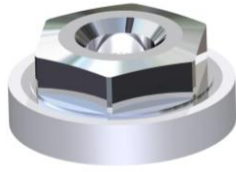


93-02525.340.00

93-02525.340.60

INJECTION SAFETY NUT

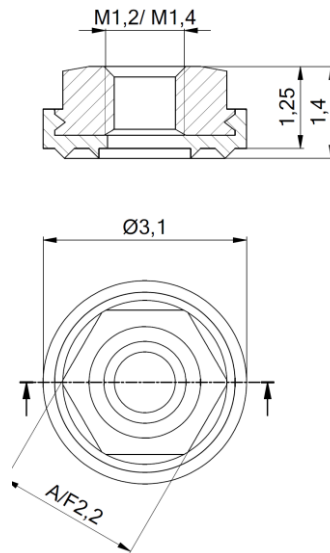
- Stainless steel safety nut with integrated plastic washer for rimless frames
- Available nickel-plated or gold-plated



patented

Standard

Gold plated



Catalogue 2026 | 2027 - Subject to change without prior notice - all measurements in mm

Version	Standard	Gold plated
M1.2	93-02525.340.00	93-02525.340.60
M1.4	93-02524.340.00	93-02524.340.60


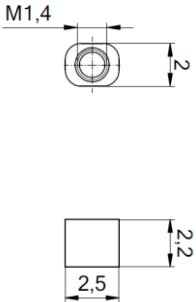
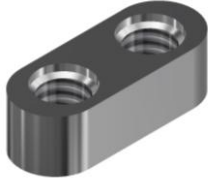
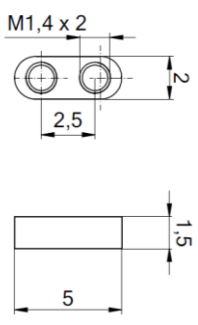
Matching parts for 93-02525

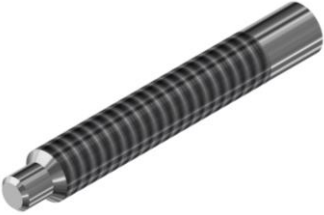
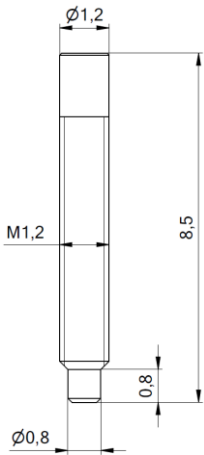


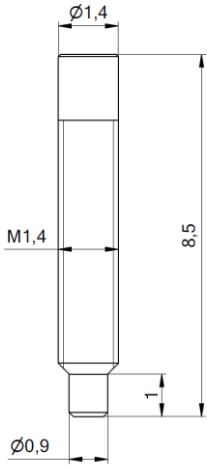



99-04002 9 mm
99-04001 13 mm

BLOCKS & PINS

- Connecting parts for end pieces
- Main application for rimless frames
- Increase combination possibilities to front parts

11-40341	nickel silver	11-20030	nickel silver
 		 	

99-00069	stainless steel	99-00068	stainless steel
  		  	

Catalogue 2026 | 2027 - Subject to change without prior notice - all measurements in mm

RIVETS

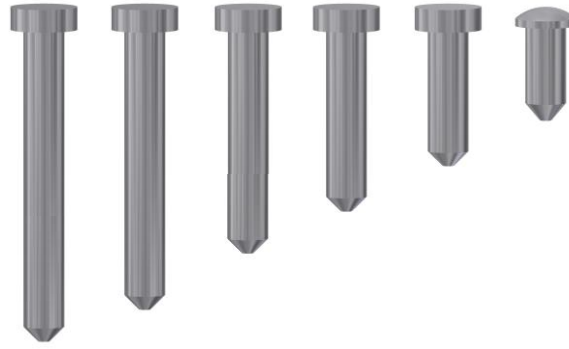
- Made from nickel silver
- Wide collection for all kind of temple widths

11-20261 - 10.0 mm
 11-20247 - 8.0 mm
 11-20318 - 5.8 mm
 11-20251 - 5.4 mm
 11-20245 - 4.2 mm
 11-20246 - 3.0 mm

nickel silver

11-20247.040 - 8.0 mm
 11-20245.040 - 4.2 mm

stainless steel



11-20260 - double rivet

nickel silver



Catalogue 2026 | 2027 - Subject to change without prior notice - all measurements in mm

SMART GLASSES

HINGES WITH CABLE FEEDTHROUGH

	PRODUCT	ARTICLE NO.	PAGE
	SMARTLINK	53-40022	119
	FLOWLINK	70-42011 70-42012 70-42010	120

HINGES WITHOUT CABLE FEEDTHROUGH



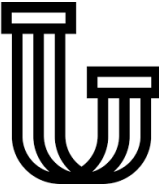
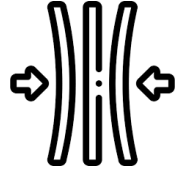


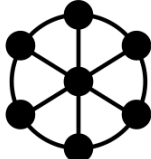

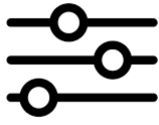
	PRODUCT	ARTICLE NO.	PAGE
	VARIOUS SOLUTIONS	VARIOUS	121

FIT FOR EVERY SMART GLASSES CHALLENGE

We have been active in the smart-glasses market since 2010, supporting numerous projects and building deep expertise in hinges designed specifically for smart and connected eyewear. Over the years, this experience has enabled us to develop a range of standard components that can be used directly or adapted with minimal modification—offering customers a faster and more cost-efficient alternative to fully customised hinge development.

When a bespoke solution is required, we are equally equipped to manage the mechanical, technical, and regulatory demands of complex projects. Our specialised know-how also includes reliable cable-routing solutions, ensuring seamless integration within even the most compact hinge designs.

Catalogue 2026 | 2027 – Subject to change without prior notice – all measurements in mm

 <p>DURABLE</p>	 <p>SAFE</p>	 <p>CABLE-FRIENDLY</p>
 <p>SHOCK-RESISTANT</p>		 <p>LOW-MAINTENANCE</p>
 <p>UNIVERSAL APPLICATION</p>	 <p>REPLACEABLE</p>	 <p>MOVEMENT CONTROL</p>

SMARTLINK

- Made in medical stainless steel with zero nickel release
- Integrated cable feedthrough system with rounded corners
- Universal use for left and right temples
- Spring pushers of optimum temple positioning



MOVIE

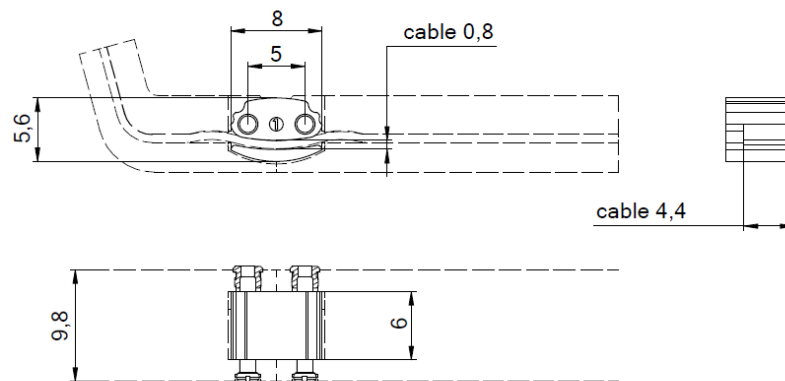


patented

53-40022.000.00

3g per Set

exchangeable



Matching parts

Spring pusher	Threaded sleeve	Fixation screws
60-00022.050.00	93-00023.040.00	99-05308.600.00 99-04308.600.00

Catalogue 2026 | 2027 - Subject to change without prior notice - all measurements in mm

FLOWLINK

- Made in medical stainless steel with zero nickel release
- Two-piece side-neutral hinge with built-in tunnel for smooth and easy cable routing
- Exchangeable hinge system
- Fixed to the front with Space Screws for smooth movement



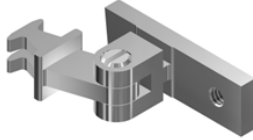
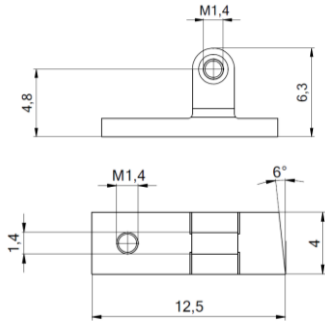
patent pending

Catalogue 2026 | 2027 - Subject to change without prior notice - all measurements in mm

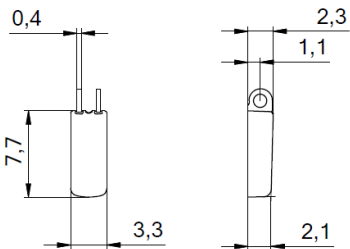
Case: 70-42011.500.10 Cover: 70-42011.100.10 0.7 g per Set	Case: 70-42012.500.10 Cover: 70-42012.200.10 1.3 g per Set	Case: 70-42010.500.10 Cover: 70-42010.200.10 1.8 g per Set
<p>Case</p>	<p>Case</p>	<p>Case</p>
<p>Cover</p>	<p>Cover</p>	<p>Cover</p>
Matching parts: Fixation screws to the temple		
<p>99-04728 </p> <p>99-02046 </p>	<p>99-02008 </p> <p>99-02046 </p>	<p>99-04728 </p> <p>99-02008 </p> <p>99-02046 </p>
Matching parts: Hinge screws		
<p>99-02911 </p> <p>99-02904 </p>	<p>99-02907 </p> <p>99-02903.300 </p>	<p>99-05310.600 </p> <p>99-02310.600 </p> <p>99-04324.600 </p> <p>Space</p>

HINGES WITHOUT CABLE FEEDTHROUGH

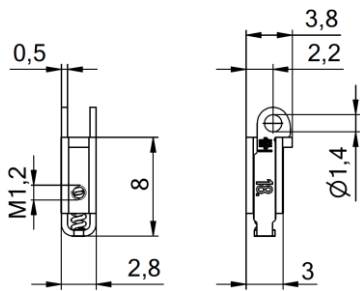
NON FLEX SOLUTION WITH SIDE BAR FOR ORIENTATION



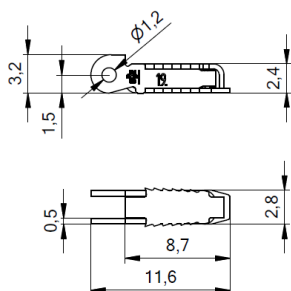
STAINLESS STEEL FLEX SOLUTION FOR PERFECT INTEGRATION



EXCHANGEABLE HIDDEN FLEX SOLUTION



EASY MOUNTING FLEX SOLUTION IN STAINLESS STEEL



Catalogue 2026 | 2027 - Subject to change without prior notice - all measurements in mm

PLEASE CONTACT YOUR OBE SALES OFFICE IN YOUR COUNTRY.

	<p>OBE GmbH & Co. KG Turnstr. 22 75228 Ispringen Germany</p> 	<p>Phone: +49-(0)7231-8020 info@obe.de www.obe.de</p>	
	<p>OBE Italia S.r.l. Via De Stefani 32042 Calalzo di Cadore (BL) Italy</p> 	<p>Phone: +39-0435-501126 info@obeitalia.it www.obeitalia.it</p>	
	<p>OBE (H.K.) Ltd. Unit 4, 6/F. New Trend Centre 704 Prince Edward Road East San Po Kong, Kowloon Hong Kong</p> 	<p>Phone: +852-2994-6992 info@obe.com.hk www.obehongkong.com</p>	
	<p>OBE Trading (Shenzhen) Co., Ltd O Building, Huangjiang Industrial Park No.1 Huangwu Road, Tongle Community Longgang, Shenzhen, 518116 China</p> 	<p>Phone: +86-755-8404-5946 info@obe.com.hk www.obeshenzhen.com</p>	
	<p>OBE Vietnam Ltd., Co. Lot NM-02.1, Tam Thang 2 Industrial Park Thang Trung Commune Da Nang City Vietnam</p> 	<p>Phone: +84-93-1785595 info@obevietnam.com www.obevietnam.com</p>	
	<p>CC2L Composants Lunettes Bât Le Pilote 120 Rue de la Outarde ZA en Beauvoir 01500 Château-Gaillard France</p>	<p>Phone: +33-(0)474-351371 contact@cc2l.fr www.cc2l.fr</p>	
	<p>INTERPLEX MAZZUCHELLI PRIVATE LIMITED 404-B, Bakhtavar Opp. Colaba P.O. Mumbai 400 005, Maharashtra INDIA</p>	<p>Phone: +91 93772 69508 nsharma@interplexindia.com</p>	
	<p>Euro Vision Co., LTD. 106-8-1 Toba Cho Sabae-city, Fukui Pref. 916-0014 Japan</p>	<p>Phone: +81-(0)778-549090 euro@eurovision.co.jp www.eurovision.co.jp</p>	
	<p>Pancom Trading Co. Samkong Building 4th floor 1205-1 Nowon 3-Ka, Buk-Ku Daegu South Korea</p>	<p>Phone: +82-(0)53-3572896 pancom85@naver.com</p>	



OBE GmbH & Co. KG · Turnstr. 22 · 75228 Ispringen · Germany
Tel. +49 7231 802-0 · www.obe.de · info@obe.de