

INJECTION & 3D PRINTED FRAMES → FLEX

Plug & Flex

WITH FLEXUNO

PATENTED



New standards of durability, stability and processing

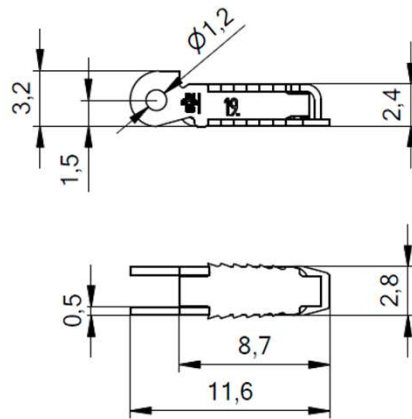
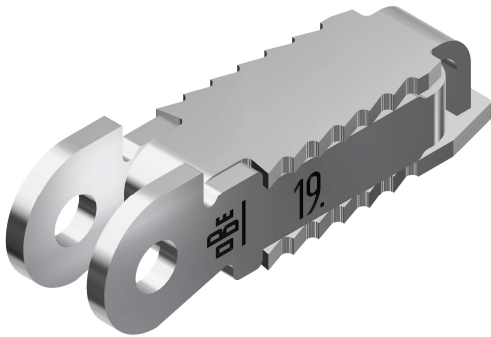
Plug & Flex

WITH FLEXUNO

- Spring hinge for injected frames – 100% made in stainless steel
- Easy, fast and cost-effective mounting
- Zero rocking thanks to flexUno technology



60-49460.200.10



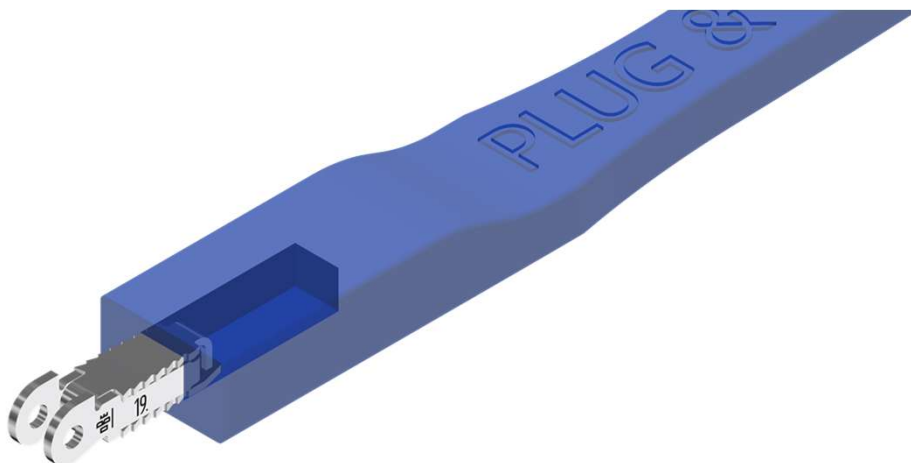
The speciality

Plug & Flex is designed mainly for injected frames.

The construction of Plug & Flex makes the processing easy, cost effective and very economic. The assembled product is just inserted and fixed in the pre-defined temple hole. The processing time is reduced by 50% compared to comparable products.

Thanks to the special teeth construction the tear out force is extremely high.

The spring hinge construction enables additionally to regulate the spring force according to the individual requirements.

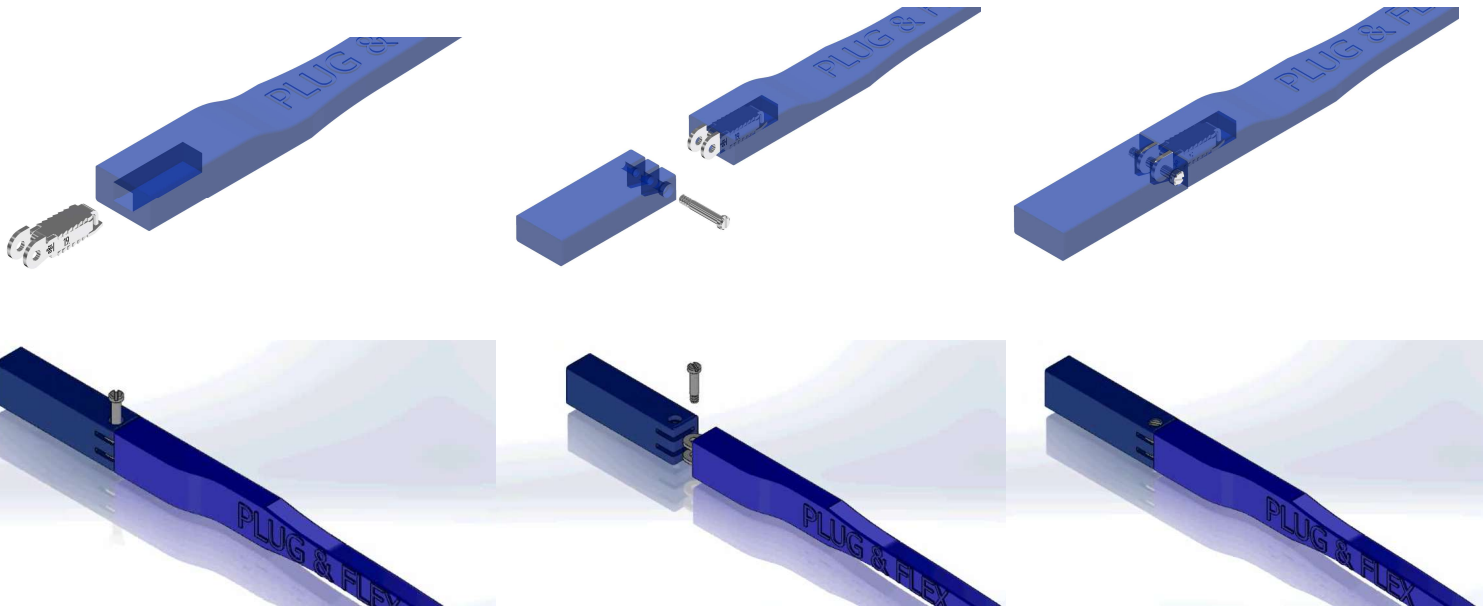


Plug & Flex

WITH FLEXUNO

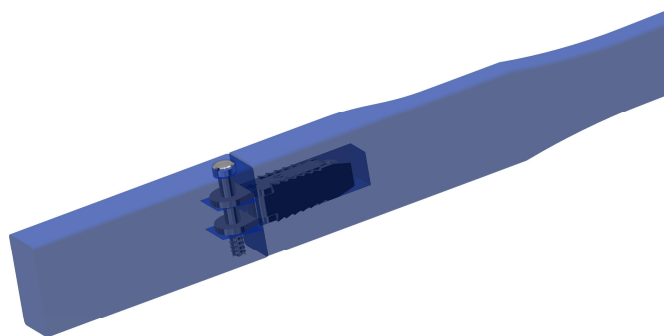
Easy processing

The spring hinge is inserted very easily in the appropriate hole according to the dimensions of our product information. After insertion just assemble the direct joining screw!

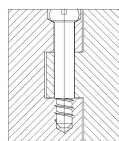


Direct Joining Screw

For the direct joining option OBE offers 2 screw lengths and a pin without thread.



Direct joining screws for plastic frames



99-02910 - 6.3 mm

99-02911 - 8.0 mm



Direct joining pin for plastic frames



11-20025.040.00



OBE GmbH & Co. KG · Turnstr. 22 · 75228 Ispringen · Germany
Tel. +49 7231 802-0 · www.obe.de · info@obe.de