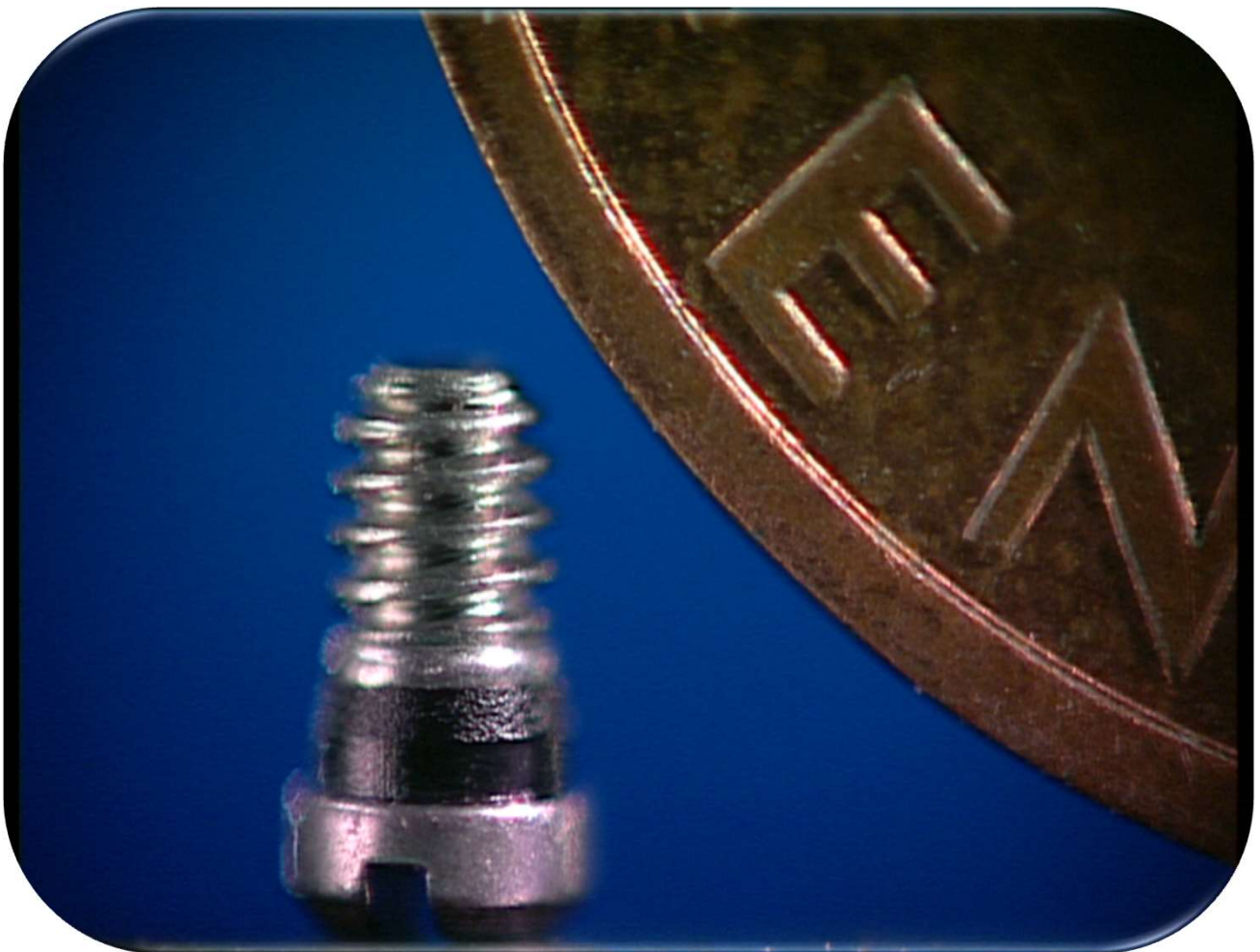


Safety Screws

MADE IN GERMANY



Maximum grip, minimal size



Präzision

Engineered for connecting small metal components



Special Safety Function

Injected plastic under the screw head prevents unintentional loosening by increasing frictional forces.

Stable Connection

When screwing, the plastic is compressed, ensuring a permanently secure fixation.

Reusable

The safety function remains effective even after multiple loosening and retightening cycles.

Partial Screwing Possible

The locking effect is maintained even if the screw is not fully tightened.

Residue-Free

No plastic residues remain in the thread.

Materials

Screw made of stainless steel (303 or 316L) - corrosion-resistant and durable.
Injected plastic: PEEK (Polyetheretherketone) - heat-resistant up to 300 °C, with continuous load resistance up to 160 °C.

Surface

The screws are not generally coated but they are resistant to most common coating methods. A galvanization in the assembled state can be realized.

Environmentally Friendly

Only 2.6% of the plastic used remains on the screw, while 97.4% is recycled within the closed-loop sprue-system.

Engineered for connecting small metal components

Construction Features

Our screws are specifically selected to meet the requirements of the components being fastened. Key parameters include thread size, the width of the components to be joined, and the position of the separation point. The clearance hole should be 0.04 mm larger in diameter than the nominal diameter of the screw.

Fastening Technology

The screws can be tightened manually or using automated tools. Ideally, the screwdriver blade should be as wide as the screw head diameter and approximately 0.35 mm thick. If additional joining processes are performed after screwing, the temperature resistance of the plastic material must be taken into consideration.

Applications & Industries

Luxury



Mobile devices



Eyewear



Consumer



Toys



Medical instruments



Applications & Industries

Musical instruments



Surgery instruments



Hearing aids



Electronic devices



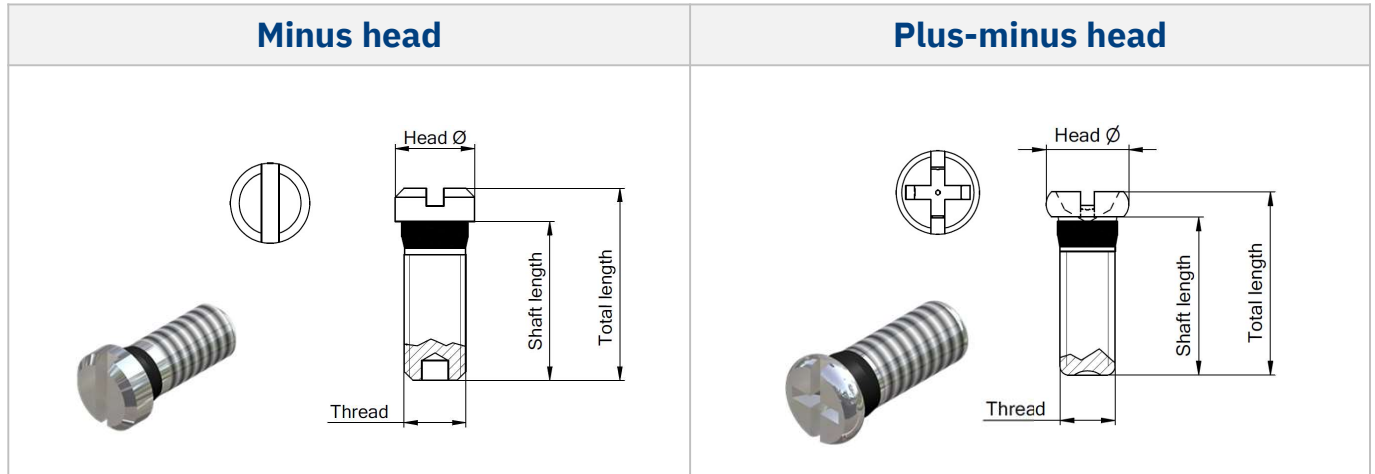
Sensors



Robotics



Standard programme in M1.2 and M1.4



Minus head					Plus-minus head				
Art. No.	Thread	Total length	Shaft length	Head Ø	Art. No.	Thread	Total length	Shaft length	Head Ø
99-01546	M1.2	3.1	2.3	1.6	99-01624	M1.2	3.2	2.6	1.8
99-01548	M1.2	3.6	2.8	1.6	99-01627	M1.2	4.4	3.8	1.8
99-01549	M1.2	4.1	3.3	1.6					
99-01550	M1.2	4.5	3.7	1.6	99-01690	M1.4	2.4	1.8	2.0
99-01551	M1.2	5.0	4.2	1.6	99-01610	M1.4	2.7	2.1	2.0
					99-01606	M1.4	3.0	2.4	2.0
99-01538	M1.4	2.6	1.8	1.8	99-01644	M1.4	3.2	2.6	1.8
99-01542	M1.4	2.8	2.0	1.8	99-01604	M1.4	3.2	2.6	2.0
99-01541	M1.4	3.1	2.3	1.8	99-01609	M1.4	3.4	2.8	2.0
99-01539	M1.4	3.4	2.6	1.8	99-01603	M1.4	3.6	3.0	2.0
99-01543	M1.4	3.5	2.7	1.8	99-01601	M1.4	3.8	3.2	2.0
99-01584	M1.4	3.6	2.9	2.0	99-01608	M1.4	4.0	3.4	2.0
99-01537	M1.4	3.9	3.1	1.8	99-01602	M1.4	4.2	3.6	2.0
99-01545	M1.4	4.0	3.2	1.8	99-01607	M1.4	4.6	4.0	2.0
99-01585	M1.4	4.0	3.2	2.0	99-01605	M1.4	5.0	4.4	2.0
99-01540	M1.4	4.4	3.6	1.8	99-01600	M1.4	5.9	5.3	2.0
99-01547	M1.4	5.0	4.2	1.8					

Custom screws are available upon request. Additionally, we can provide Torx screw heads as needed. As a complement to our screws, we also offer security nuts with plastic overmolding. In addition to the same anti-loosening benefits, they enable assembly up to three times faster compared to similar products.

15 Benefits at a glance

- 1. Loosening Prevention:** Safety system stops accidental loosening
- 2. Vibration Resistant:** Screw keeps in position during vibrations
- 3. Versatile Settings:** Allows for precise adjustments
- 4. Extreme Durability:** Long lifetime even under harsh conditions
- 5. Ready-to-use:** No extra assembly parts needed
- 6. Reusable Performance:** Maintains full functionality over time
- 7. High Productivity:** Supports automatic feeding and fastening
- 8. Built-in Safety:** Functions safely even if not fully tightened
- 9. Clean Threads:** No residues like glued connections
- 10. Effective Sealing:** Protects against gases and liquids
- 11. Tolerance Compensation:** Adjusts to manufacturing variances
- 12. Dual Functionality:** Can be used as a dosing screw
- 13. Heat Resistance:** Withstands high temperatures
- 14. Chemical Resistance:** Peek plastic resists ketones like acetone
- 15. Sustainable:** 90% of recycled plastic sprues are used for injection of new screws



Facts about OBE

- Founded 1904
- > 550 employees worldwide
- Key supplier in eyewear
- Key technologies:
 - Profile processing
 - Screw production
 - Galvanic
- 4 facilities worldwide
- ISO 9001:2015
- DIN EN ISO 14001 and EMAS

