

**SPECIAL SCREWS AND ACCESSORIES**

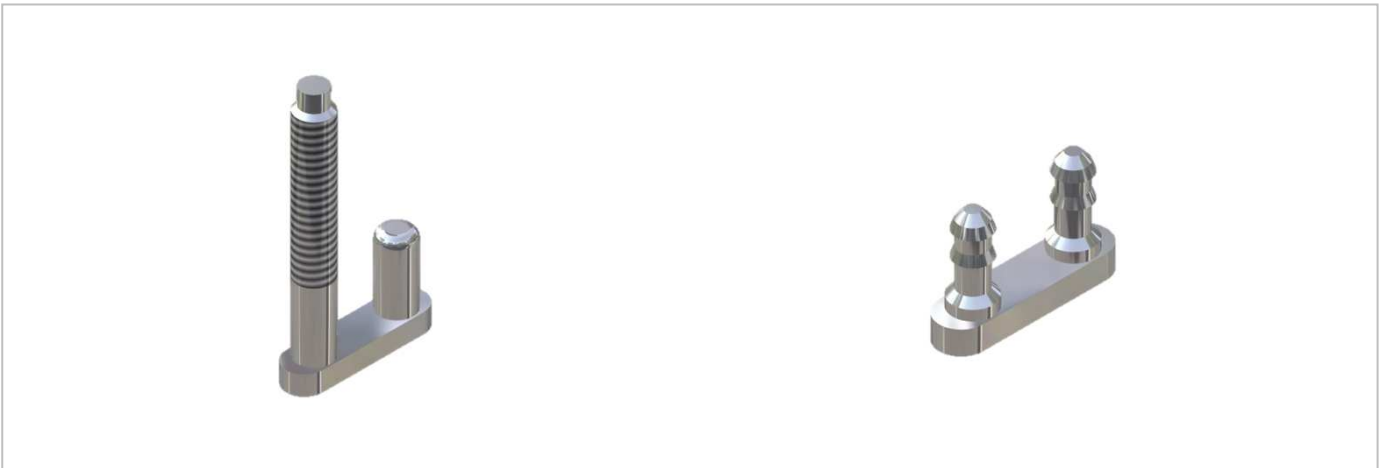
**Pins-Up**

MADE IN MIM-TECHNOLOGY



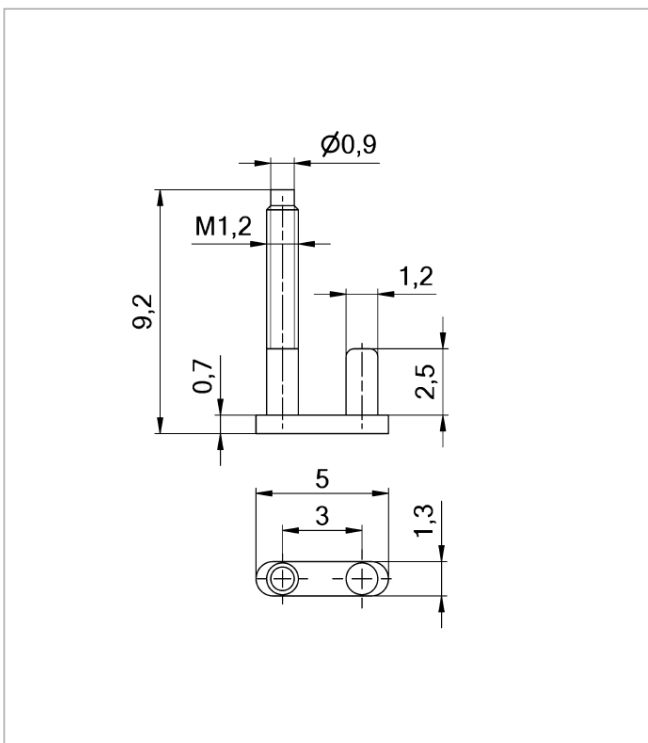
**Perfect fit – secure glass connection**

- Fixing end piece in stainless steel
- Best application in rimless frames for screw-in or pressure-mount
- Stable one piece construction



64-42004

- screw system



64-42005

- clip / pressure mount system

