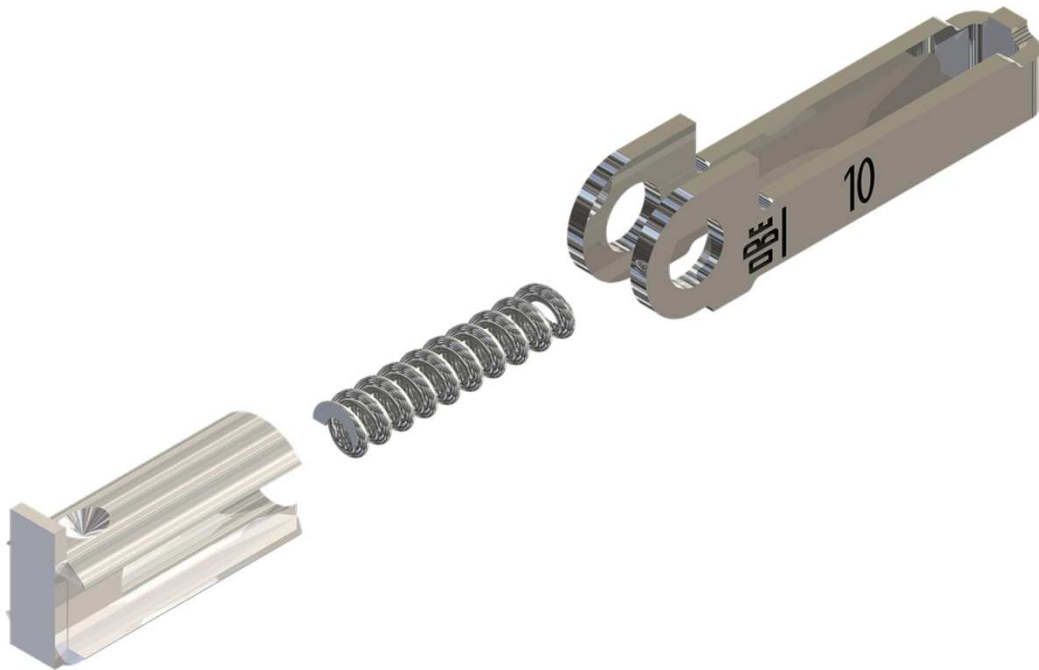


METAL & COMBINATION FRAMES → MECHANISMS FOR TEMPLES

# Mechanisms

INTEGRATED SOLUTIONS



Engineered to endure – Precision mechanisms for every challenge

# Mechanisms

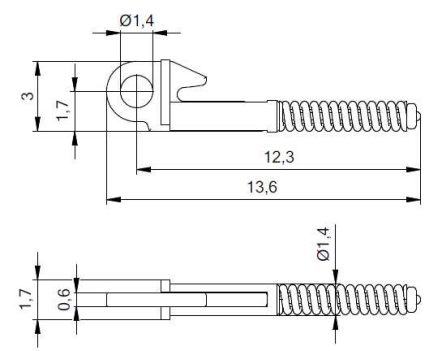
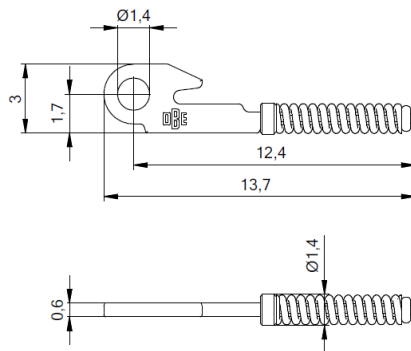
INTEGRATED SOLUTIONS

Our mechanism are designed to fit a wide range of temples in various widths – compatible with all kind of metal alloys including titanium – offering complete freedom of design!

- 30 years of expertise in spring mechanisms
- Proven durability & performance
- Tested for longevity (50.000 movements)
- Easy Assembling by peening
- Use of premium materials

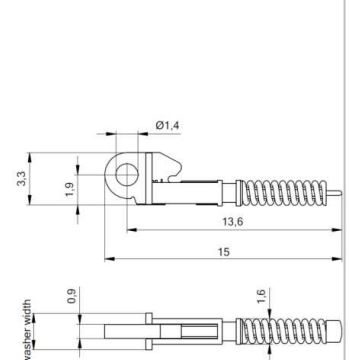
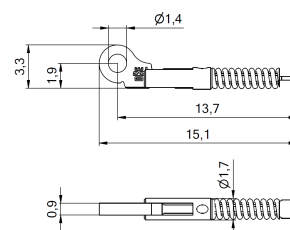
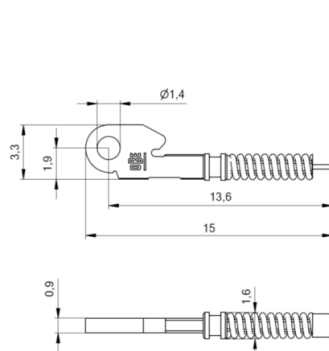
<b>flexIno integrated – Size S</b> Recommended temple width 1.9 – 2.6 mm	60-44015.100 With double action	60-44015.8XX For titanium temples with integrated anti friction system and double action
--	------------------------------------	---

- 1 barrel mechanism for **slim temples**
- Stamped in stainless steel
- **0.6 mm** barrel thickness
- Branded with OBE Logo



<b>flexUno integrated – Size M</b> Recommended temple width 2.1 – 3.5 mm	60-44022.200 With double action	60-44022.500 With single action	60-44022.8XX For titanium temples with integrated anti friction system and double action
--	------------------------------------	------------------------------------	---

- 1 barrel mechanism for **medium temples**
- Stamped in stainless steel
- **0.9 mm** barrel thickness
- Branded with OBE Logo



# Mechanisms

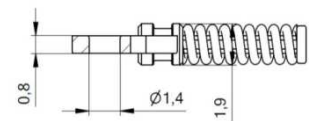
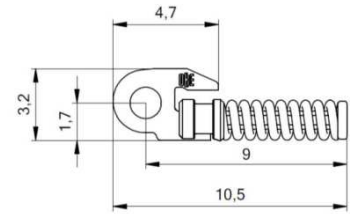
INTEGRATED SOLUTIONS

flexIno integrated – Size M  
SHORT

Recommended temple width  
2.6 – 3.4 mm

60-46500.120  
With double action

- 1 barrel mechanism for
- Stamped in stainless steel
- **0.8 mm** barrel thickness
- Branded with OBE Logo

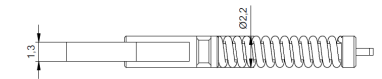
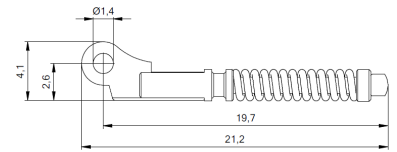


flexino integrated – Size L

Recommended temple width  
2.8 – 6.0 mm

60-04055.100  
With single action

- 1 barrel mechanism for **large temples**
- **1.3 mm** barrel thickness
- Made in nickel silver
- Assembly by peening



flexUno integrated – Size XL Short

Recommended temple width  
3.2 – 8.0 mm

60-44063.20X

For regular metal  
temples

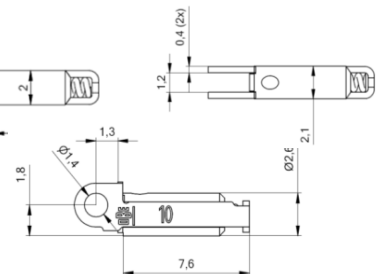
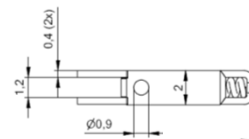
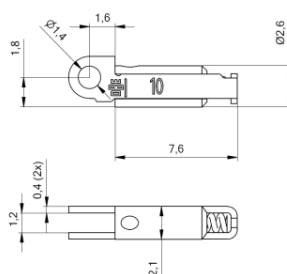
60-44063.85X

For aluminium  
temples  
(fixed with pin or screw)

60-44063.82X

For titanium  
temples

- 2 barrel mechanism for
- **Anti-rocking flexUno technology**
- Stamped in stainless steel
- 2 x 0.4 mm barrel thickness





OBE GmbH & Co. KG · Turnstr. 22 · 75228 Ispringen · Germany  
Tel. +49 7231 802-0 · [www.obe.de](http://www.obe.de) · [info@obe.de](mailto:info@obe.de)