

ACETATE / METAL & COMBINATION FRAMES → DESIGN TWO BARREL FLEX

WAFER plus

WITH FLEXUNO


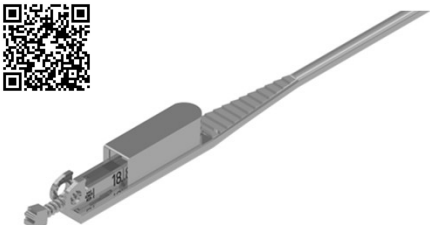
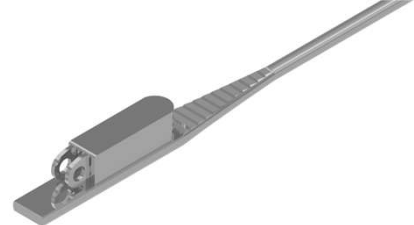
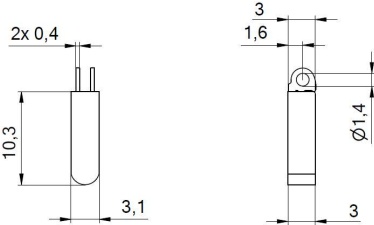
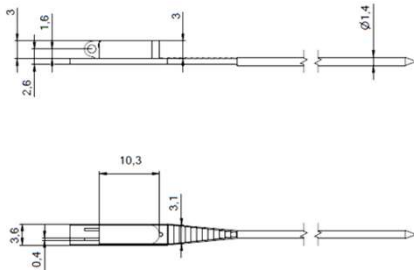
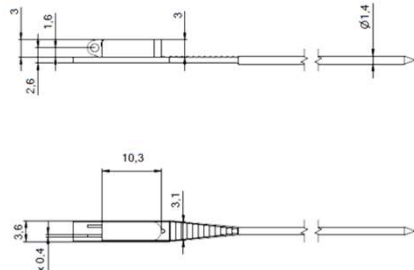
PATENTED

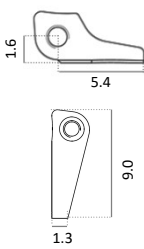
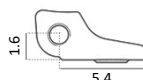
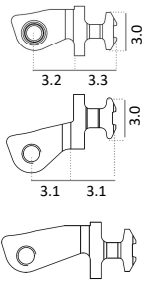
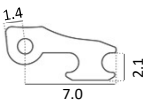
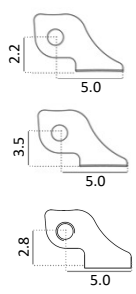
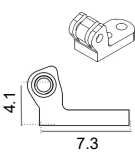
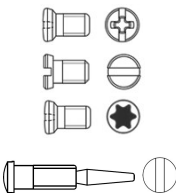


STRONG SPRING – STRONG PERFORMANCE



- Round shaped nickel silver spring hinge on wire – nickel plated
- High performance – equipped with extra strong spring
- Zero rocking & easy adjustment with flexUno two-barrel construction

60-05043	73-05043.50X	73-05043.30X
mechanism exchangeable		mechanism not exchangeable
		
		

Matching parts						
Front hinges for soldering	Front hinges for welding	Front hinges for plastic frames 90°	Front hinges for plastic frames 180°	Step hinges for soldering	Rivet hinges	Screws
						
52-05067 52-04263	52-04063	33-05363 33-04067 33-02363	33-04063	52-05363 52-05463 52-05563	51-05130 0°/6° inclination	99-01814 99-02524 99-04814 99-02524.800 self aligning for break off