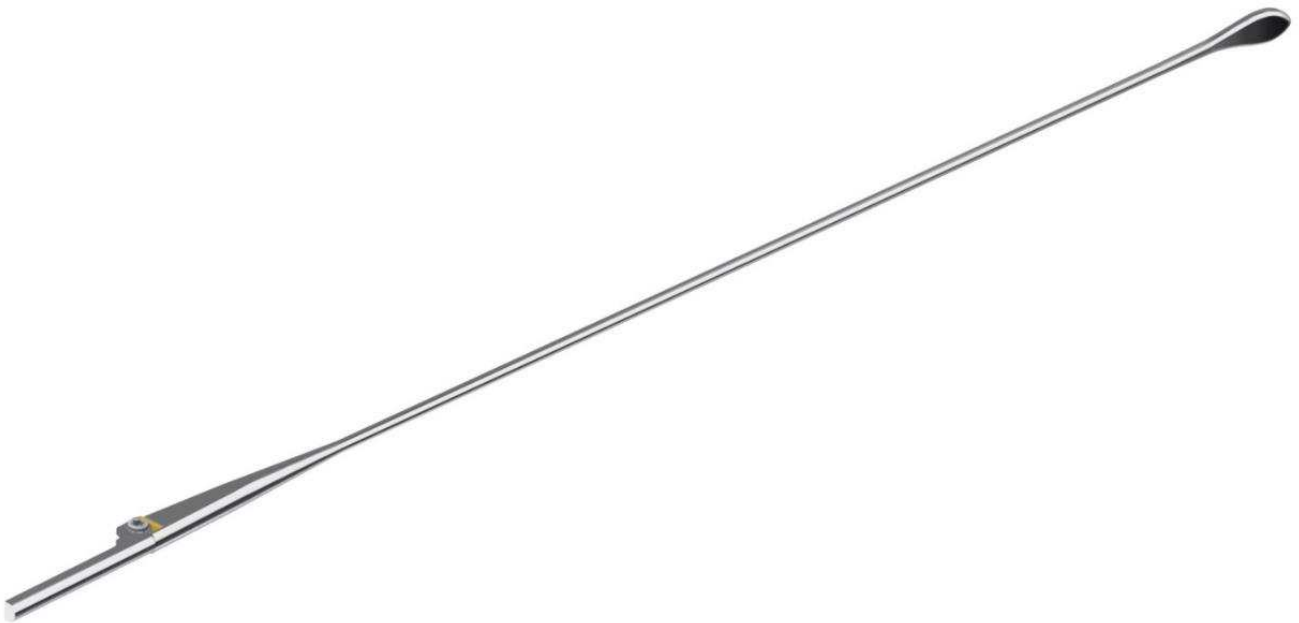


# Simplex

TITANIUM



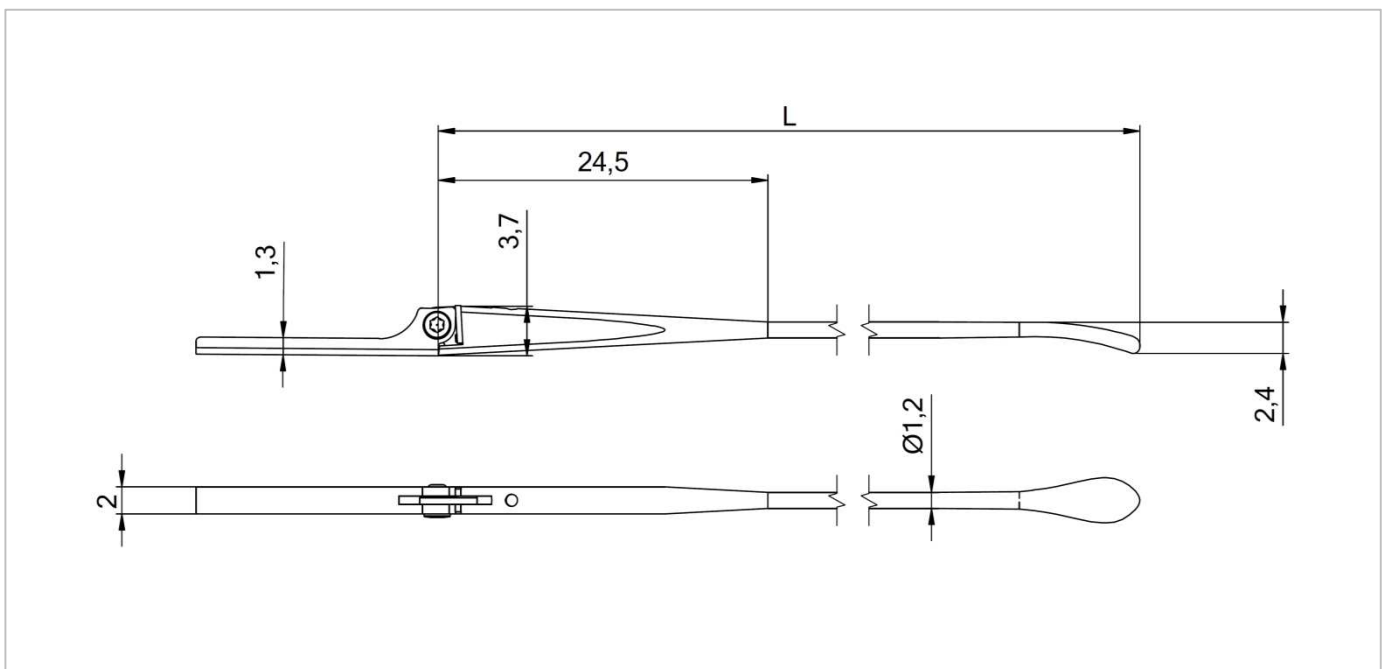
MECHANISMS & TEMPLATES

# Simplex

TITANIUM

60-25019

- Super slim flex temple
- Only 2.0 mm slim
- Made from pure titanium grade 2
- Integrated double action
- Multifunctional end piece to be bent



OBE GmbH & Co. KG · Turnstr. 22 · 75228 Ispringen · Germany  
Tel. +49 7231 802-0 · www.obe.de · info@obe.de