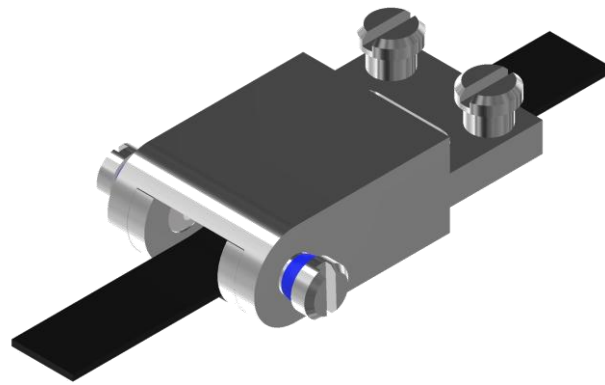


SMART GLASSES → NON FLEX

FLOWLINK

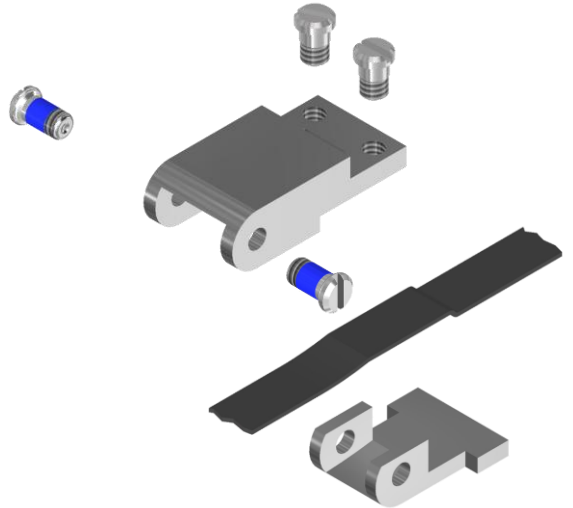
PATENT PENDING



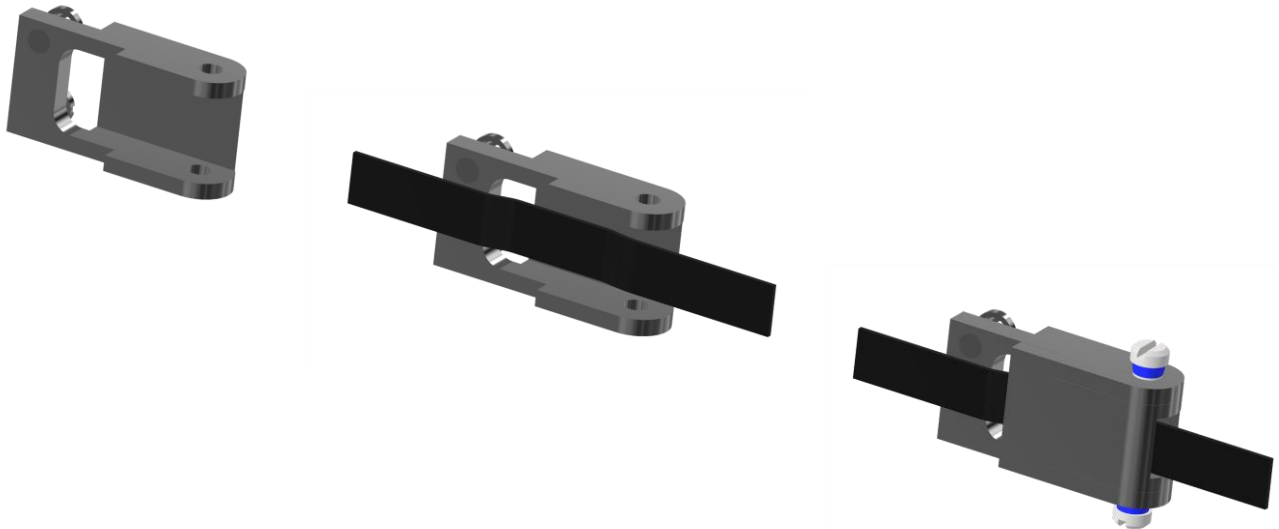
A NEW GENERATION OF SMART HINGES



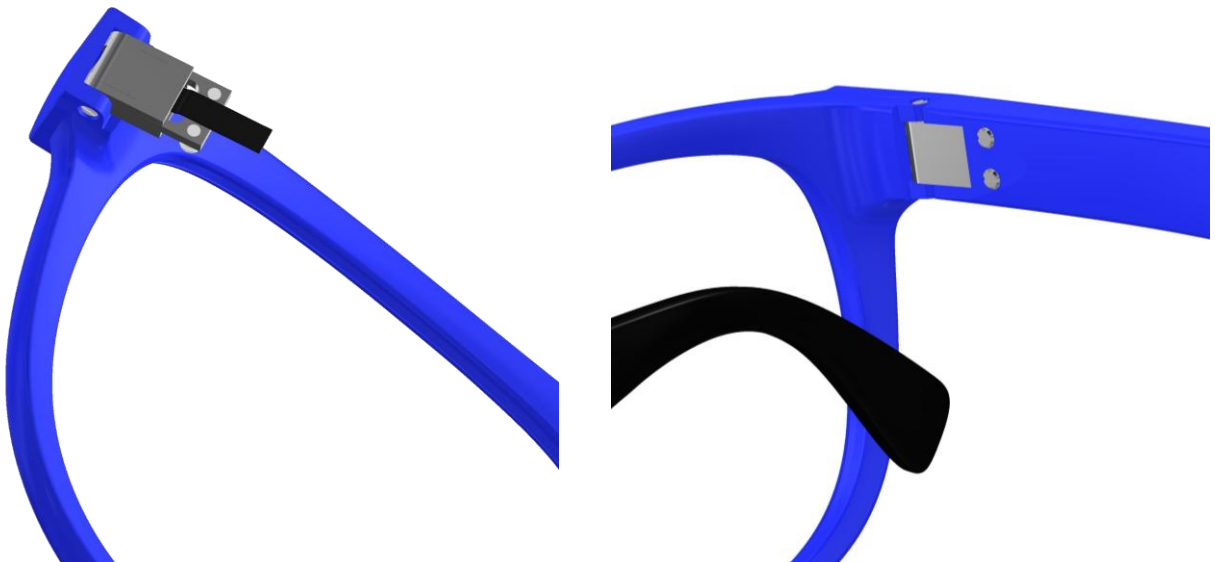
- Two-piece side-neutral hinge
- Built-in cable tunnel for smooth and easy routing
- Universal design for perfect integration into the frame
- Fixed to the temple with screws
- Fixed to the front with Space Screws for smooth movement
- Three standard sizes – easy adaptation of width
- Delivery status: loose



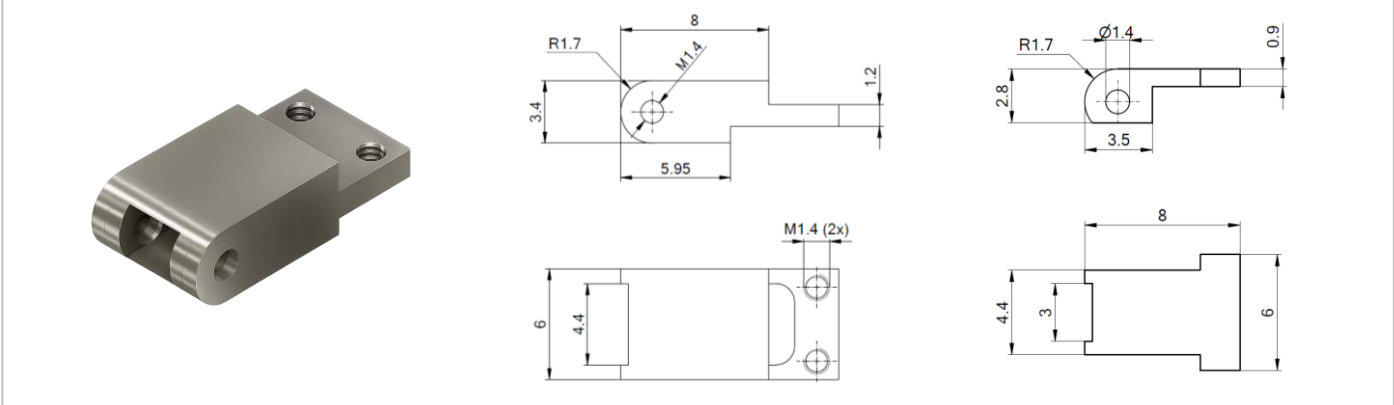
Easy assembly & disassembly



Best applications of FLOWLINK in 3D-printed & injected frames

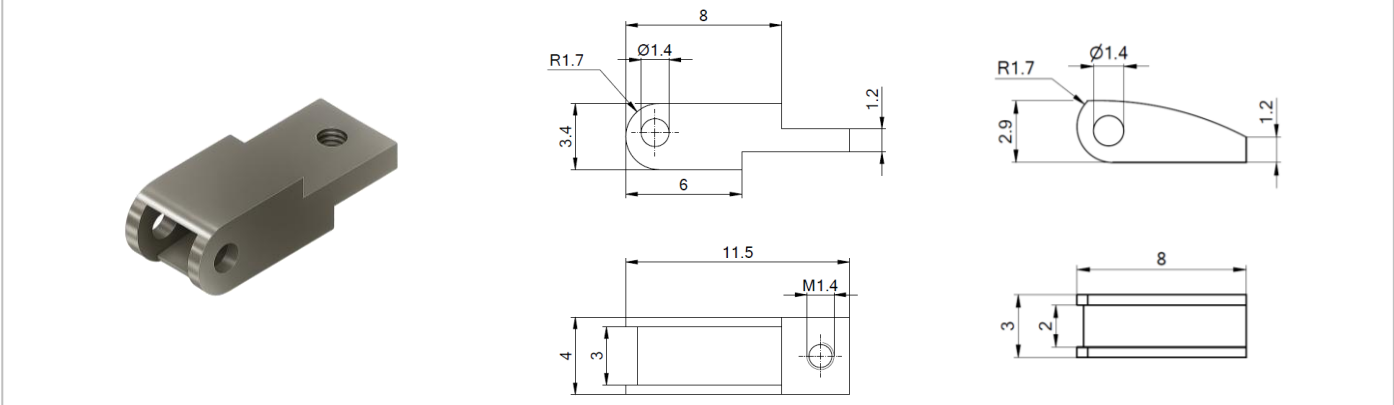


6.0 mm width **Case: 70-42010.500.10** **Cover: 70-42010.200.10**



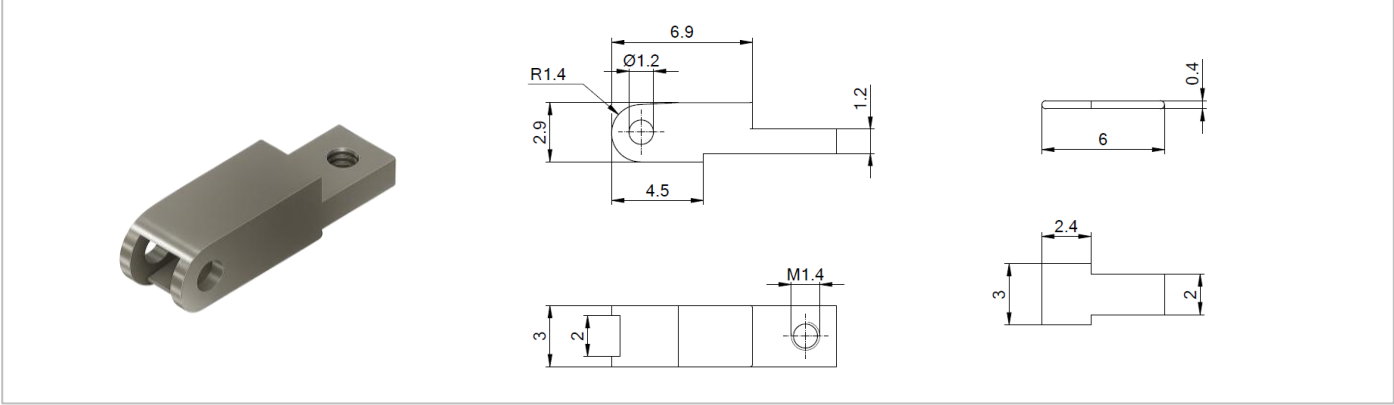
Fixation screws to the temple	Hinge screws
<p>99-04728 </p> <p>99-02008 </p> <p>99-02046 </p>	<p>99-05310.600 </p> <p>99-02310.600 </p> <p>99-04324.600 </p>

4.0 mm width **Case: 70-42012.500.10** **Cover: 70-42012.200.10**



Fixation screws to the temple	Hinge screws
<p>99-02008 </p> <p>99-02046 </p>	<p>99-02907 </p> <p>99-02903.300 </p>

3.0 mm width **Case: 70-42011.500.10** **Cover: 70-42011.100.10**



Fixation screws to the temple	Hinge screws
<p>99-04728 </p> <p>99-02046 </p>	<p>99-02911 </p> <p>99-02904 </p>



OBE GmbH & Co. KG · Turnstr. 22 · 75228 Ispringen · Germany
Tel. +49 7231 802-0 · www.obe.de · info@obe.de