

Features

- Pointed nickel silver spring hinge on wire in low profile – nickel plated
- Flat design enables elegant integration and semi hidden look in acetate temples
- Stable U-shaped mechanism in stainless steel already pre-assembled
- Zero rocking & easy adjustment with flexUno two barrel construction
- 75% of recycled nickel silver chips are used in the production of new cases

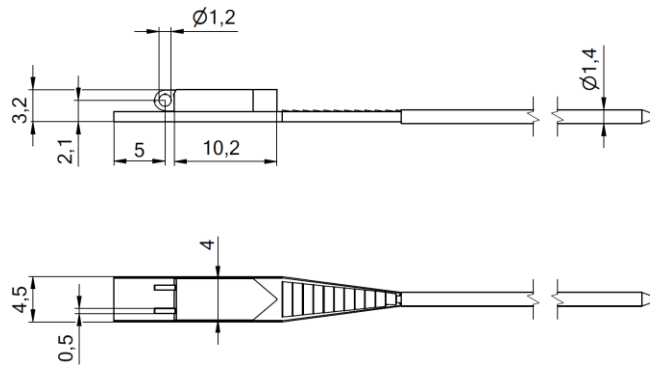


patented

73-04066.75X

insertion

mechanism exchangeable



Barreling cap for case 91-04066

Matching parts - Standard

Spike front hinges	Front hinges for plastic frames 90°	Front hinges for plastic frames 180°	Step hinges for soldering	Rivet hinges / Rivets	Hinge screws
33-04166.050	33-04066 33-04266 offcenter 0°/6° inclination	33-04166	52-04166	51-05066 11-20247 - 8.0 mm 11-20251 - 5.4 mm 11-20245 - 4.2 mm 11-20246 - 3.0 mm	99-01732 99-02036 99-02036.800 self aligning for break off