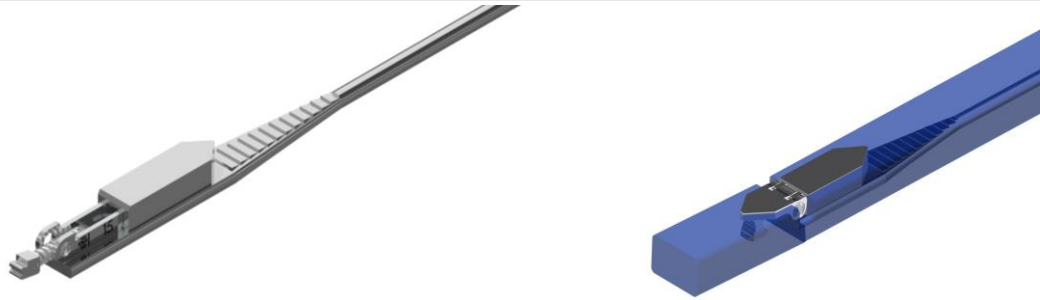


Features

- Pointed nickel silver spring hinge on wire in low profile – nickel plated
- Flat design enables elegant integration and semi hidden look in acetate temples
- Stable U-shaped mechanism in stainless steel already pre-assembled
- Zero rocking & easy adjustment with flexUno two barrel construction
- 75% of recycled nickel silver chips are used in the production of new cases

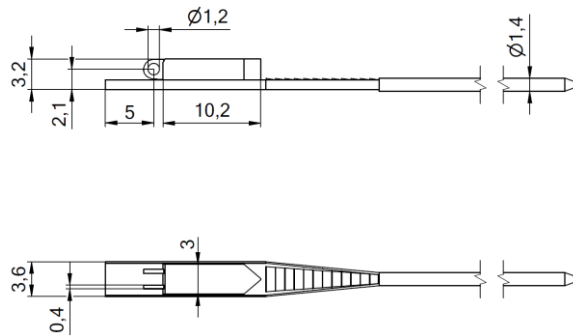


patented

73-04053.55X

insertion

mechanism exchangeable



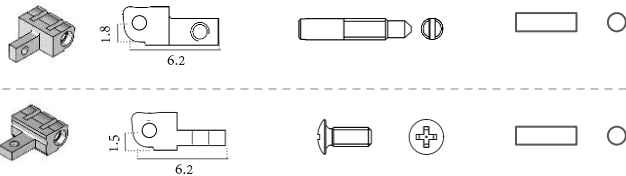
Barreling cap for case 91-04053

Matching parts - Standard

Spike front hinges	Front hinges for plastic frames 90°	Front hinges for plastic frames 180°	Step hinges for soldering	Hinge screws
33-04253.050	33-04153 33-04025 off center 33-04353 off center 0°/6° inclination	33-04253	52-04153 52-04154	99-02027 99-02027.800 self aligning for break off 99-02032 self aligning

Matching parts – Hidden solution

Three barrel block hinges I Fixation screws to front I Hinge pins



32-04062	I	99-00065	I	Pin 11-20012
32-04061	I	99-01753	I	Pin 11-20012