

Features

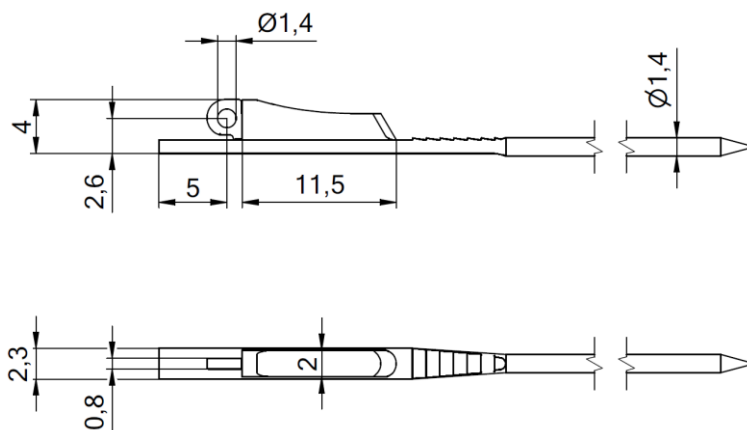
- Nickel silver spring hinge on wire – nickel plated
- Best application mainly in acetate temples
- Stable stainless steel mechanism already pre-assembled
- One barrel construction
- 75% of recycled nickel silver chips are used in the production of new cases



73-08080.30X

insertion

mechanism not exchangeable



Barreling cap for case 91-20222

Matching parts

Front hinges for plastic frames 90°	Front hinges for plastic frames 180°	Step hinges for soldering	Screws
33-05105	33-05010	52-05112	99-01803 99-02530 99-04803