

Features

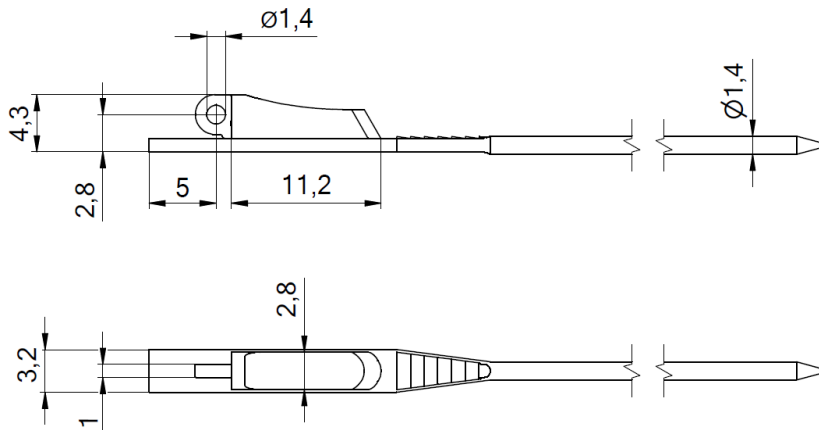
- Nickel silver spring hinge on wire – nickel plated
- Best application mainly in **acetate temples**
- Stable stainless steel mechanism already pre-assembled
- One barrel construction
- 75% of recycled nickel silver chips are used in the production of new cases



73-08088.30X

insertion

mechanism not exchangeable



Barreling cap for case 91-20221

Matching parts

Front hinges for plastic frames 90°	Front hinges for plastic frames 180°	Step hinges for soldering	Screws
33-05106	33-05063	52-05153	99-01813 99-02501