

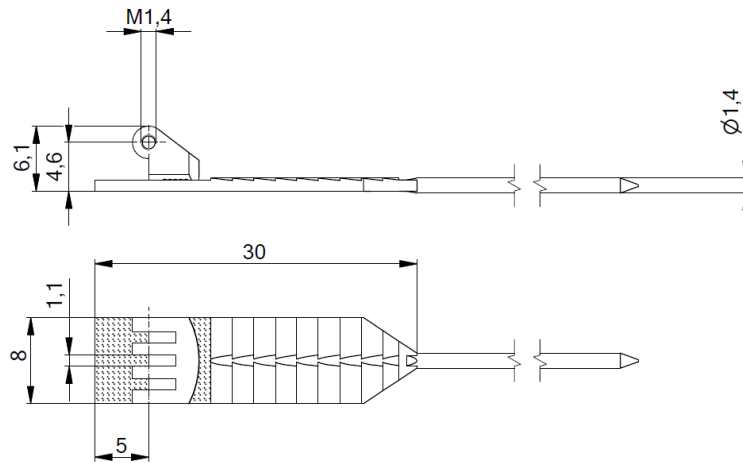
Features

- Extra wide regular hinge on wire in nickel silver – nickel plated
- To be inserted in **acetate temples**
- Minimum width with plastic 10.0 mm
- Smooth movement with Space Screws

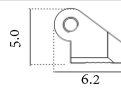


70-01037

insertion



Available separately



42-01036

Matching parts

Front hinges for plastic frames 90°	Front hinges for plastic frames 180°	Rivet hinges / Rivets	Screws
33-04233	33-05147	51-05083	99-05380.600 99-02380.600
0°/6° inclination		11-20247 - 8.0 mm 11-20251 - 5.4 mm 11-20245 - 4.2 mm 11-20246 - 3.0 mm 0°/6° inclination	