

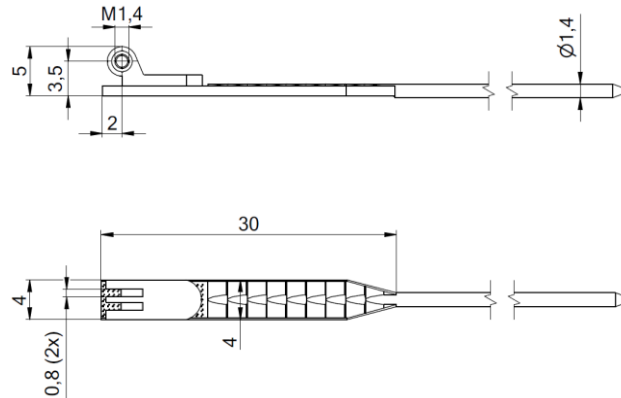
Features

- Wide regular hinge on wire in nickel silver – nickel plated
- To be inserted in acetate templates
- Minimum width with plastic 6.0 mm
- Smooth movement with Space Screws

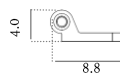


70-07793

insertion



Available separately



42-02029

Matching parts

| Front hinges for plastic frames 90° | Rivet hinges / Rivets | Rivet hinges / Rivets | Screws |
|--|--|---|---|
| | | | |
| <p>33-04555</p> <p>0°/6° inclination</p> | <p>51-05000.903.03</p> <p>11-20247 - 8.0 mm 11-20251 - 5.4 mm 11-20245 - 4.2 mm 11-20246 - 3.0 mm 11-20260 - doublerivet</p> | <p>51-05024*</p> <p>11-20247 - 8.0 mm 11-20251 - 5.4 mm 11-20245 - 4.2 mm 11-20246 - 3.0 mm * 0°/6° inclination</p> | <p>99-05379.600</p> <p>99-02379.600</p> |