

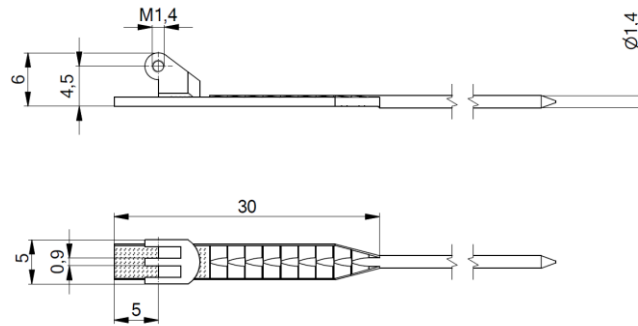
Features

- Wide regular hinge on wire in nickel silver – nickel plated
- To be inserted in acetate templates
- Minimum width with plastic 7.0 mm
- Smooth movement with Space Screws

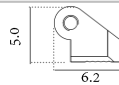


70-07765

insertion



Available separately



42-02465

Matching parts

Safety hinges for plastic frames 90°	Front hinges for plastic frames 90°	Front hinges for plastic frames 180°	Rivet hinges / Rivets	Screws
33-04214	33-04217 33-04232	33-04234	51-05028  11-20247 - 8.0 mm 11-20251 - 5.4 mm 11-20245 - 4.2 mm 11-20246 - 3.0 mm	99-05334.600 99-02334.600 99-47140 (for 33-04214) 99-44175 (for 33-04214)