

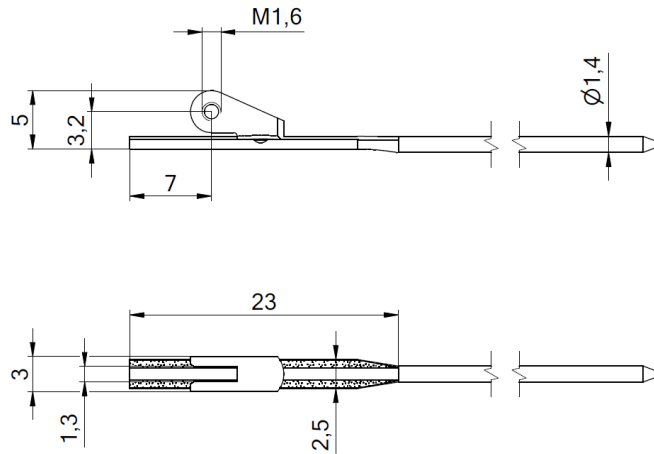
Features

- Slim regular hinge on wire in nickel silver – nickel plated
- To be inserted in **acetate temples**
- Minimum width with plastic 5.0 mm
- Smooth movement with Safety Screws or ISH technology
- 75% of recycled nickel silver material is used in the production of new wires

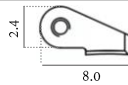


70-07621

insertion



Available separately



42-03984

Matching parts

Safety hinges for plastic frames 90°	Safety hinges for plastic frames 180°	Front hinges for plastic frames 90°	Step hinges for soldering	Screws
<p>ISH</p>	<p>ISH</p>			<p>Safety</p>
<p>33-04215 33-04211 round foot</p>	<p>33-04538</p>	<p>33-04221</p>	<p>52-04255</p>	<p>99-01723 for safety hinges 99-01458 for safety hinges 99-01523 for standard hinges</p>