

Features

- Elegant & short 100% stainless steel spring hinge
- Best application mainly in **metal temples**
- Easy & stable U-shaped click-in mechanism
- Zero rocking & easy adjustment with flexUno two barrel construction
- Zero corrosion

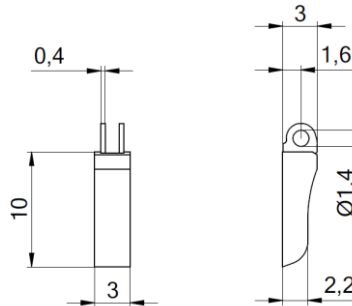


patented

60-44063

soldering or laser welding

mechanism exchangeable

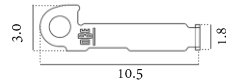
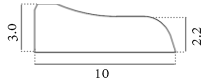


Barreling cap for case 91-20217

Case

Side hinge

Spring mechanism



17-44063

44-44063

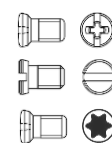
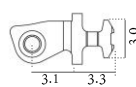
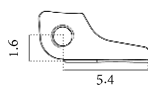
60-04063.030

Stainless steel matching parts

Front hinges
for soldering

Front hinges
for plastic frames 90°

Screws



52-45063

33-44163

99-01814
99-02524
99-04814