

Features

- 100% stainless steel spring hinge on wire
- Best application mainly in acetate temples
- Stable U-shaped mechanism already pre-assembled
- Zero rocking & easy adjustment with flexUno two barrel construction
- Zero corrosion

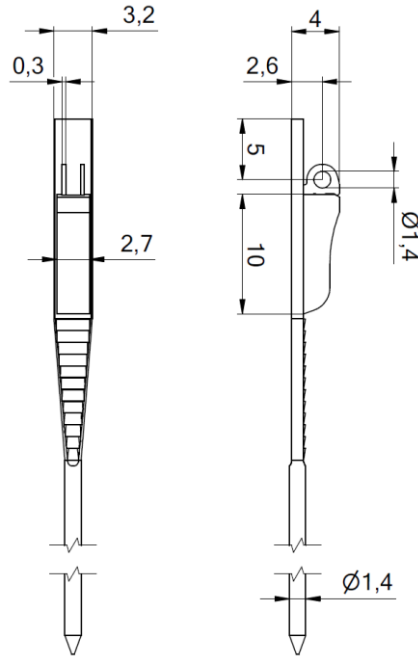


patented

73-44062

insertion

mechanism not exchangeable

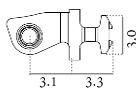


Barreling cap for case 91-20219

Stainless steel matching parts

Front hinges
for plastic frames 90°

Screws



52-45062

99-01730
99-02016
99-04724