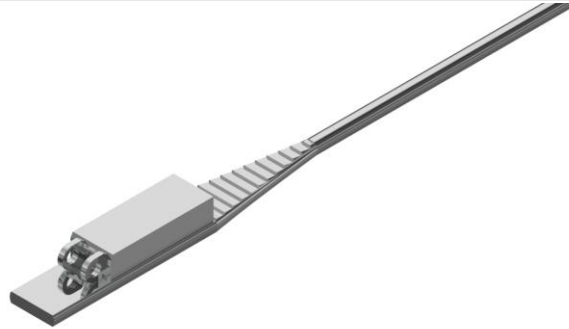


Features

- Nickel silver spring hinge on wire in brick look – nickel plated
- Low construction and semi hidden look in **acetate temples**
- Stable U-shaped mechanism in stainless steel already pre-assembled
- Zero rocking & easy adjustment with flexUno two barrel construction
- 75% of recycled nickel silver chips are used in the production of new cases

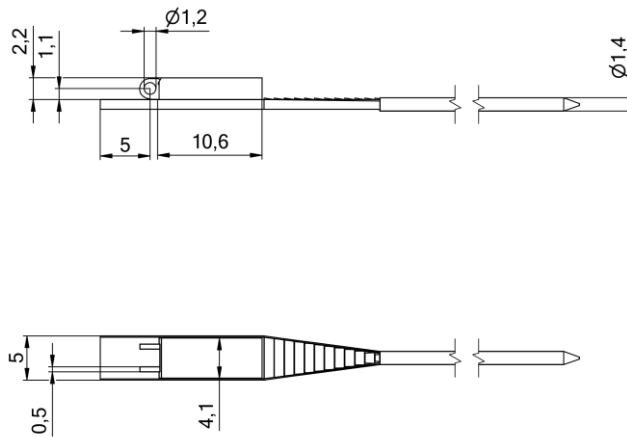


patented

73-04066.50X

insertion

mechanism not exchangeable



Barreling cap for case 91-04066

Matching parts - Standard

Front hinges for plastic frames 90°	Front hinges for plastic frames 180°	Step hinges for soldering	Rivet hinges / Rivets	Hinge screws
<p>33-04066 33-04266 offcenter</p> <p>0°/6° inclination</p>	<p>33-04166</p>	<p>52-04166</p>	<p>51-05066</p> <p>11-20247 - 8.0 mm 11-20251 - 5.4 mm 11-20245 - 4.2 mm 11-20246 - 3.0 mm</p>	<p>99-01732 99-02036 99-02036.800 selfaligning for break off</p>