



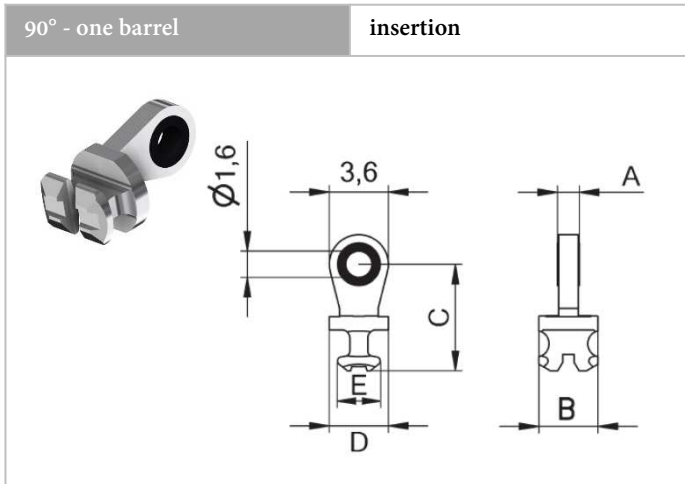
# ISH

INJECTION SAFETY HINGES



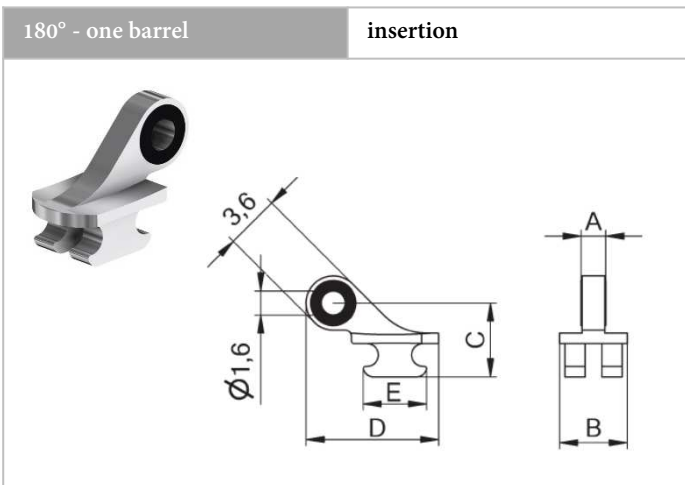
Regular hinges

- ISH front hinge with one or double barrel
- Made from nickel silver
- Maintenance free anti-rocking front hinge
- Provides consistent & smooth temple movement
- For full acetate frames
- Can be bent (6°)



Front hinges 90° - 0°/6° inclination

Art. No.	A	B	C	D	E
33-04215	1.3	2.8	6.5	4.0	3.0
33-04211	1.3	4.5	6.5	4.0	3.0
33-04271	1.6	4.5	6.5	4.0	3.0
32-02483	1.6	7.0	6.7	4.0	3.0



Front hinges 180° - 0°/6° inclination

Art. No.	A	B	C	D	E
33-04538	1.3	3.5	4.9	8.8	4.2
33-04541 with stop	1.6	4.0	5.3	9.1	3.8
33-04537	1.6	4.5	4.9	8.8	4.2
33-04540	1.7	4.0	5.1	9.5	3.8

