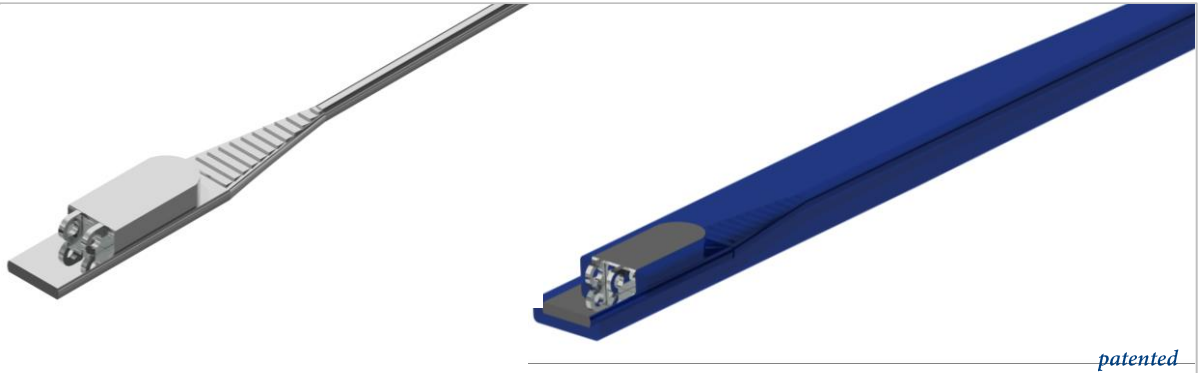


Features

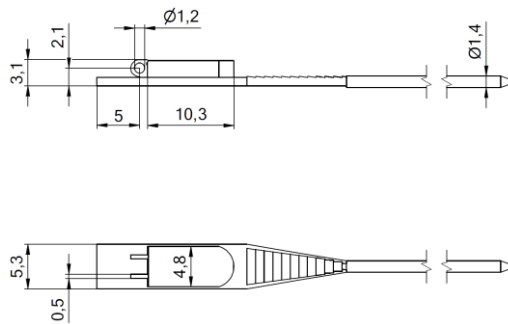
- Round shaped nickel silver spring hinge on wire in low profile – nickel plated
- Flat design enables elegant integration and semi hidden look in acetate temples
- Stable U-shaped mechanism in stainless steel already pre-assembled
- Zero rocking & easy adjustment with flexUno two barrel construction
- 75% of recycled nickel silver chips are used in the production of new cases



73-04061.40X

insertion

mechanism not exchangeable



Barreling cap for case 91-05061

Matching parts - Standard

Front hinges for plastic frames 90°	Front hinges for plastic frames 180°	Step hinges for soldering	Rivet hinges / Rivets	Hinge screws
33-04061 33-04071 round foot 33-04261 offcenter  0°/6° inclination	33-04161	52-04161	51-05061  11-20247 - 8.0 mm 11-20251 - 5.4 mm 11-20245 - 4.2 mm 11-20246 - 3.0 mm	99-02017  99-02017.800 self aligning for break off

Matching parts – Hidden solution

One barrel block hinges I Fixation screws to front I Hinge pins	Three barrel block hinges I Fixation screws to front I Hinge screws
32-04060 I 99-00064 I Pin 11-20010 32-04059 I 99-01753 I Pin 11-20010	32-04054 I 99-00064 I 99-02023 32-04053 I 99-01753 I 99-02023