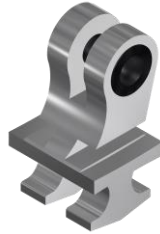


Features

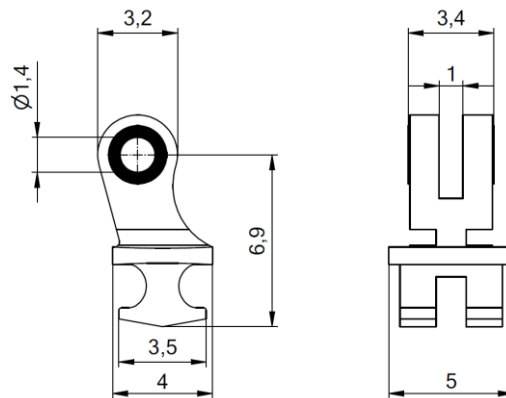
- ISH front hinge with double barrel made from nickel silver
- Maintenance free anti-rocking front hinge
- Consistent & smooth temple movement
- For full acetate frames
- Can be bent (6°)



patent pending

33-04214

insertion



Matching parts

Hinges on wire

Screws



70-07765

99-47140