

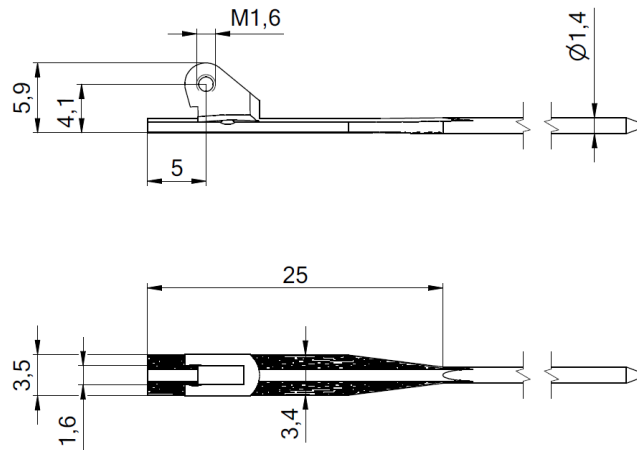
Features

- Midsize regular hinge on wire in nickel silver – nickel plated
- To be inserted in **acetate templates**
- Minimum width with plastic 5.5 mm
- Smooth movement with ISH technology
- 75% of recycled nickel silver material is used in the production of new wires

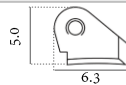


70-07761

insertion



Available separately



42-02459.160

Matching parts

Safety hinges for plastic frames 90°	Safety hinges for plastic frames 180°	Step hinge for soldering	Rivet hinges / Rivets	Screws
<p>ISH</p>	<p>ISH</p>			
<p>32-02483 33-04271</p>	<p>33-04537 33-04540</p>	<p>52-04256</p>	<p>51-05038 11-20247 - 8.0 mm 11-20251 - 5.4 mm 11-20245 - 4.2 mm 11-20246 - 3.0 mm</p>	<p>99-01357</p>