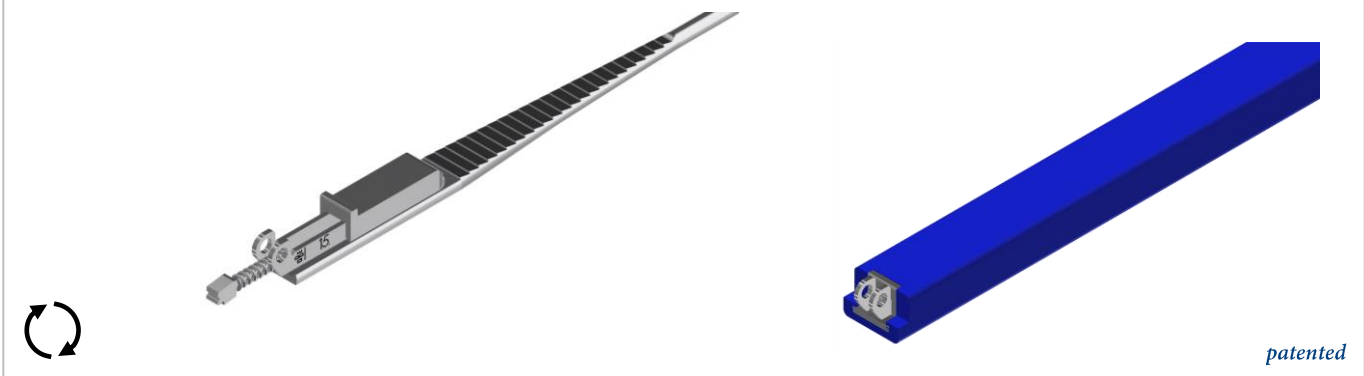


Features

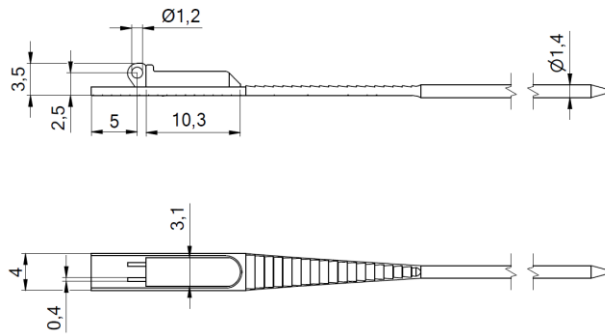
- Embedded nickel silver spring hinge on wire in low profile – nickel plated
- Super-flat design enables total integration in **acetate temples** without metal visibility
- Stable U-shaped mechanism in stainless steel already pre-assembled
- Zero rocking & easy adjustment with flexUno two barrel construction
- 75% of recycled nickel silver chips are used in the production of new cases



73-07050

insertion

mechanism exchangeable

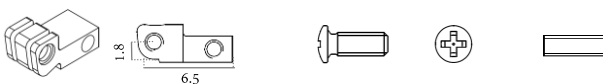


Matching parts - Standard

Front hinges for plastic frames 90°	Front hinges for plastic frames 180°	Step hinges for soldering	Hinge screws
33-04027	33-04028	52-07050	99-02030 99-02032 selfaligning 99-02027.800 self aligning for break off

Matching parts – Hidden solution

Three barrel block hinges I Fixation screws to front I Hinge pin



32-04077 I 99-01752 I 11-20012